

## BiBOX-156PC1(J1900)



BiBOX-156PC1 (J1900) v.4 - Computer panel with IP65 (water and dust resistance on the front of the device) with 256 GB SSD disk, 4G technology and WiFi (1xLAN, 6xUSB)

<b>Category:</b>	Industrial Panel PC Computers
<b>Manufacturer:</b>	Mobikator
<b>Supported OS:</b>	Windows 7/8/10, Linux, Ubuntu
<b>Installed OS:</b>	No
<b>Screen size:</b>	15.6 inch
<b>Resolution:</b>	1920×1080
<b>Aspect ratio:</b>	16:9
<b>Brightness:</b>	300 cd/m2
<b>Touchscreen:</b>	10 Points Projected Capacitive Touch Screen
<b>CPU Support:</b>	Intel® Celeron J1900 2.0GHz quad core
<b>Installed CPU:</b>	Intel® Celeron J1900 2.0GHz quad core
<b>Graphic Card:</b>	Integrated graphics HD Graphics
<b>Storage (HDD) Support:</b>	SSD / HDD
<b>Installed Storage (HDD):</b>	256GB SSD
<b>Memory Support:</b>	DDR3
<b>Installed Memory:</b>	8GB
<b>IP Norm:</b>	-----
<b>IP Level (front panel):</b>	IP65

<b>IP Level (back panel):</b>	-----
<b>Temp:</b>	-10 °C to 60 °C
<b>Storage Temp:</b>	-20 °C to 70 °C
<b>Humidity:</b>	0% - 95% Non-Condensing
<b>Anti-shock:</b>	----
<b>Anti-vibration:</b>	----
<b>Barcode reader:</b>	No
<b>RFID scanner (reader):</b>	No
<b>Others:</b>	Color: Black
<b>LAN:</b>	1xRealtek RTL 8111E Gigabit Ethernet
<b>Wireless LAN card:</b>	Option
<b>3G:</b>	-----
<b>4G LTE:</b>	Yes
<b>Bluetooth:</b>	Option
<b>GPS:</b>	No
<b>Ports - rear panel:</b>	HDMI VGA 2x USB 3.0 4x USB 2.0 1xLAN Audio 2x COM DC-12V
<b>Ports - front panel:</b>	-----
<b>Ports - left panel:</b>	-----
<b>Ports - right panel:</b>	-----
<b>Expansion:</b>	-----
<b>Power:</b>	DC-12V
<b>Power Consumption:</b>	-----
<b>Watch Dog Timer:</b>	-----
<b>Mounting VESA:</b>	-----
<b>Folding Bracket (for office type working):</b>	-----
<b>Chipset:</b>	Intel
<b>CD/DVD Drive:</b>	No
<b>Audio:</b>	Yes

<b>TV Tuner:</b>	No
<b>Backlight MTBF:</b>	-----
<b>Contrast Ratio:</b>	800:1
<b>Dual display:</b>	Yes
<b>Viewing Angle:</b>	85/85/85/85(L/R/U/D)
<b>Touch Life(contacts):</b>	-----
<b>Surface hardness (display):</b>	-----
<b>Color Resolution:</b>	-----
<b>Response time touch-panel (ms):</b>	----
<b>Housing material:</b>	metal
<b>Dimensions:</b>	388 x 245 x 38 mm
<b>Fanless:</b>	No
<b>Weight:</b>	5kg

**712,44 €**

net price: 579,22 €

# BiBOX-156PC1(J1900)



## SPECIFICATION AND PARAMETERS

## DISPLAY AND TOUCH

## RESISTANCE AND PROTECTION

## COMMUNICATION AND CONNECTORS

## APPLICATION

## AVAILABLE VERSIONS AND ACCESSORIES

Industrial PC panels are integrated devices consisting of a PC computer and a touch monitor. Due to their design, they can work even under severe conditions prevailing in industrial environments, such as high humidity, high dustiness, contact with water or very low or high temperatures. These panels

are characterized by high efficiency and stability of operation in all conditions.



Efficient cooling

The housing with notches used in the panel ensures good air exchange inside the device.



Quick start

A modern SSD drive will increase the speed of applications and programs and ensure quiet computer operation.



Efficient

The quad-core Intel Celeron J1900 2GH improves the device's performance.



Bright Screen

The display with 300 cd/ m<sup>2</sup> brightness makes the picture much more vivid and better readable when used outside in the sun.



Wireless network \*

The panel can be connected to nearby wireless networks by equipping it with an optional Wi-Fi module.



Capacitive screen

The capacitive screen allows precise handling and gentle on-screen movement.

## Specifications and parameters

### Performance

Processor

Intel® Celeron J1900 2.0GHz quad core

Performance	
Graphics card	Integrated HD Graphics
Operating system	Support for Windows 7/8/10, Linux, Ubuntu
RAM	8GB DDR3
Drive	256GB SSD
Display	
Screen	15.6" (1920x1080)
Touch screen	10 Points Projected Capacitive Touch Screen
Brightness	300cd/m <sup>2</sup>
Screen ratio	16:9
View angle	85/85/85/85(L/R/U/D)
Interfaces	
Communication	4G   WiFi*   Bluetooth*
Connectors	2x USB 3.0   4x USB 2.0   2x COM   1x LAN 1x VGA   1x HDMI   DC 12V
Other	
Dimensions	388 x 245 x 38 mm
Weight	5 kg
Casing material	Metal

\* Optional equipment, available only in specific versions of the device.



Detailed device specification is available in the "Technical data".

The industrial PC panel uses an efficient and energy-saving Intel Celeron J1900. In its interior there are four cooperating cores enabling more efficient processing of many tasks at the same time. Shared cache memory in which a multi-level hierarchy is used is dynamically allocated to each processor core depending on the load. This reduces the average access time to the main memory. Improved graphics card technology allows you to enjoy movies at full resolution and HD quality.



More photos in full resolution available in the "Gallery"

## Display and touch

Amplified, metal industrial computer BiBOX-156PC1 has a water-resistant and scratch-proof 15.6" LED screen 1920x1080 resolution offers good image quality, and high brightness in the 300 cd/m<sup>2</sup> range gives better color saturation and contrast and allows significantly improved visibility even in the case of incident The display of the resistive type provides the user with a clear

image and ease of use by touch.

## CAPACITIVE SCREEN

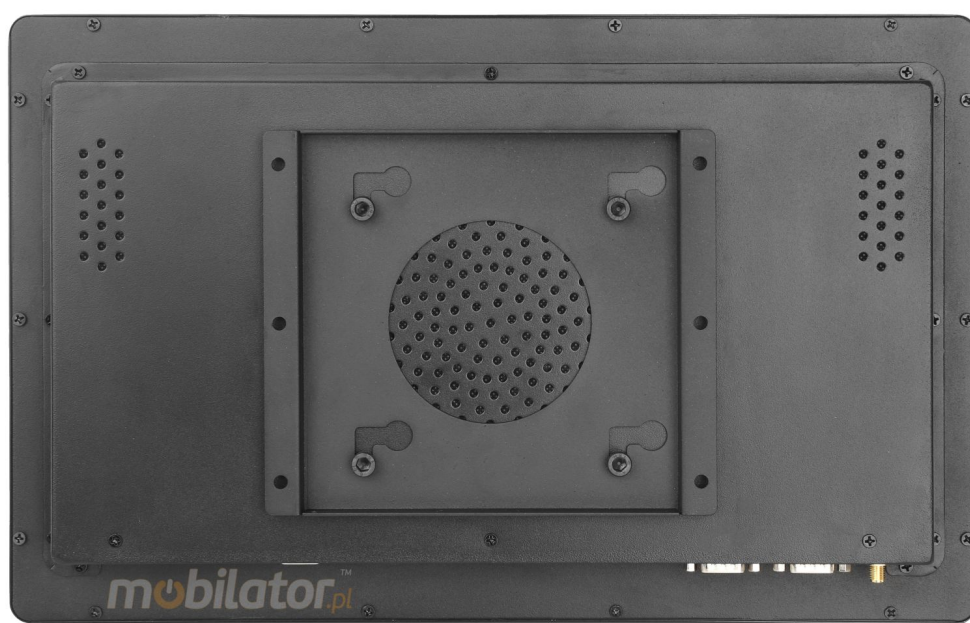
The capacitive screen consists of a glass coating that is covered with an insulator. Touching the surface of the touch pad with your finger causes a disturbance in the flow of electric current. This display provides very good visibility under industrial conditions. The panel can be operated with one finger or conductive material (special glove). This type of screen provides support for multi-touch technology, which is a clear convenience during work. This is due to the fact that a large number of electrodes allows accurate detection of many points of touch. You do not have to use a stronger pressure for capacitive screens, because you only need to lightly brush the screen with your finger to make the device react.



Resistance and protection

## QUALITY OF MATERIALS

The panel PC has a good-quality metal casing. It is an important element of the cooling system thanks to specially designed cutouts that facilitate air circulation inside the housing. The overall design of the device is focused on simplicity and functionality appreciated by professionals, as an accessory the panel can be equipped with passive cooling.



## EXTREME TEMPERATURES

PanelPC BiBOX-156PC1 is designed for continuous operation both at very low and high temperatures in the range from  $-10^{\circ}\text{C}$  to  $60^{\circ}\text{C}$ . If the device is turned off, it can handle temperatures ranging from  $-20^{\circ}\text{C}$  to  $70^{\circ}\text{C}$ . In addition, the durable PanelPC is perfect for rooms with increased humidity, ensuring proper functioning even in the case of 95% relative air humidity. It is also possible to purchase additional fanless cooling.

<b>Work temp.</b>	-10°C do 60°C
<b>Storage temp.</b>	-20°C do 70°C
<b>Humidity</b>	0% - 95% Non-Condensing

## Communication and connectors

### (OPTION) WIRELESS WI-FI NETWORK

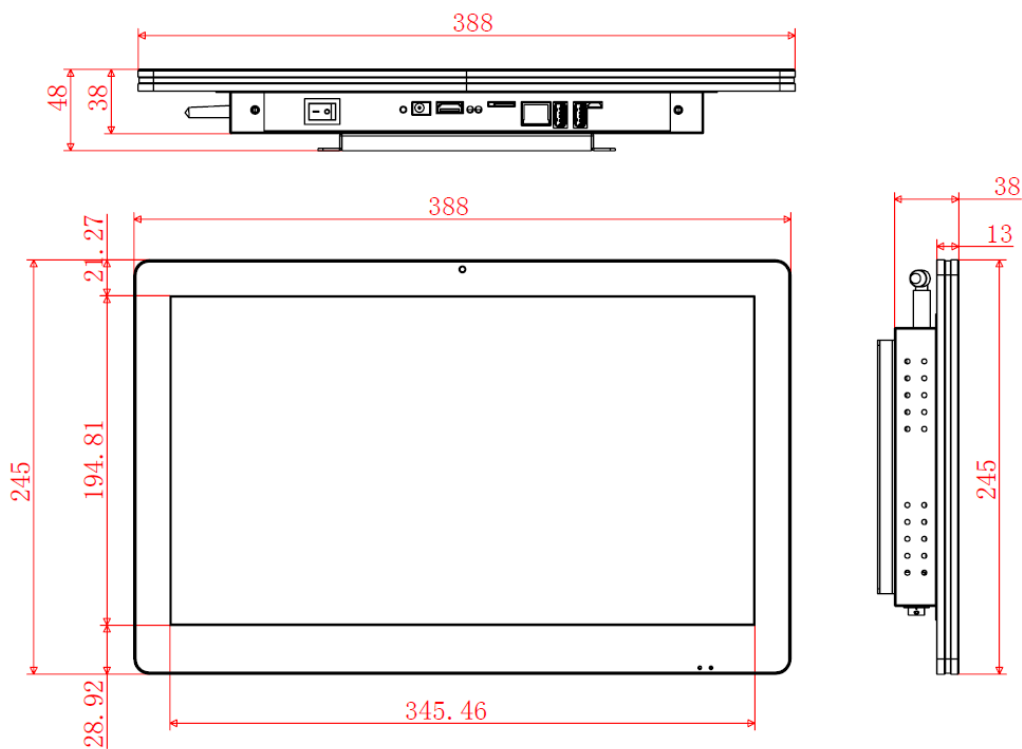
The dual-band Wi-Fi module provides quick access to the network wherever you can connect to secured or open Wi-Fi networks. This is a convenient solution for people who have a router at home or place of residence and a wireless network that can be used at no extra charge. The shockproof industrial panel BiBOX-156PC1 has been equipped with standards - 802.11n, which allows transfer of files at a dizzying speed of up to 150 Mb/s.

<b>Standards</b>	802.11a/b/g/n
<b>Frequencies</b>	2.4GHz

### CONNECTORS AND INTERFACES



## DIMENSIONS



## Application



## TRADE AND SERVICES

PC Panel is widely used primarily in the commercial industry, for example for controlling the sales system, displaying product information on monitors or advertising on large screens. With the VESA holder in the housing there are many possibilities for its assembly, eg in stores (at the cash register) in factory halls, in a car delivering products, etc. It will certainly be used in all types of retail chains.

## WAREHOUSE AND MANAGEMENT

The industrial panel computer thanks to the RS232 interface can be used to connect many devices in the warehouse and facilitate their control. And its rugged housing is ideally suited to the harsh conditions prevailing in such rooms. No dust or dirt will prevent him from working, he will work without complaints even in a large dusty and dirty environment.

## TRANSPORT AND MOTORIZATION

Panel computers can be used in transport by adapting it to work on 12V power supply. Then Panel PC can be used in passenger cars, buses, trams, taxis, trains and even in airplanes. Thanks to the integrated monitor, these panels perform very well in vehicles where mobility and the small size of the device are important.

### Available versions and accessories

Industrial Panel PC BiBOX-156PC1 is offered in several versions adapted to different needs. By clicking on the number of the hardware configuration you will be redirected to the product with the parameters given in the table below. In addition, it is possible to create a configuration that is currently unavailable on the customer's request.

	v.1	v.2	v.3	v.4	v.5	v.6	v.7	v.8
4GB RAM	+	+	-	-	-	-	+	-
8GB RAM	-	-	+	+	+	+	-	+

64GB SSD	+	-	-	-	-	-	+	-
128GB SSD	-	+	+	-	-	-	-	-
256GB SSD	-	-	-	+	-	-	-	-
512GB SSD	-	-	-	-	+	-	-	+
500GB HDD	-	-	-	-	-	+	-	-
4G	-	-	-	+	-	-	-	-
Bluetooth 4.0	-	-	-	-	+	+	+	+
Windows 10 PRO	-	-	-	-	-	-	+	+