



BiBox 215-I510 v.7 - Professional 21.5-inch Full HD computer panel - Intel i5-10210U, 32GB RAM, 1TB SSD, IP65 front panel, Windows 11, VGA, HDMI, 2x RJ45 - For monitoring the condition of quays



Category:	Industrial Panel PC Computers
Manufacturer:	Mobikator
Supported OS:	Windows
Installed OS:	Windows 11 Pro
Screen size:	21.5 inch
Resolution:	1920x1080
Aspect ratio:	16:9
Brightness:	250 nits
Touchscreen:	Capacitive
CPU Support:	Intel Core i3, i5, i7 - 10th generation
Installed CPU:	Intel core i5-10210U with fan
Graphic Card:	CPU Integrated graphics HD Graphics support 1080p HD photo quality
Storage (HDD) Support:	SSD
Installed Storage (HDD):	1TB
Memory Support:	DDR4
Installed Memory:	32GB
IP Norm:	IP65

IP Level (front panel):	IP65
IP Level (back panel):	-----
Temp:	-10 °C to 60 °C
Storage Temp:	-20 °C to 70 °C
Humidity:	5% - 95% Non-Condensing
Anti-shock:	----
Anti-vibration:	5-500Hz,0.026G ² /Hz,2.16Grms,X,Y,Z1 hour per axis
Barcode reader:	No
RFID scanner (reader):	No
Others:	---
LAN:	2 ports RJ-45
Wireless LAN card:	WiFi 6
3G:	No (optional)
4G LTE:	No (optional)
Bluetooth:	Yes
GPS:	No (optional)
Ports - rear panel:	VGA x1 USBx4 HDMIx1 LANx2 RS232x2 MIC EARx1 Power DC12V
Ports - front panel:	-----
Ports - left panel:	-----
Ports - right panel:	-----
Expansion:	---
Power:	Ext.Power Supply AC100-240VWorking voltage DC12V Power consumption ≤80W
Power Consumption:	---
Watch Dog Timer:	Yes
Mounting VESA:	100 x 100 mm
Folding Bracket (for office type working):	No (optional)
Chipset:	---
CD/DVD Drive:	No

Audio:	Realtek ALC662 High Definition Audio (HD)Line in Line out
TV Tuner:	No
Backlight MTBF:	---
Contrast Ratio:	1000:1
Dual display:	---
Viewing Angle:	89°/89°/89°/89°(R/L/U/D)
Touch Life(contacts):	50 000
Surface hardness (display):	7H
Color Resolution:	16.7 million
Response time touch-panel (ms):	15 ms
Housing material:	Metal
Dimensions:	525.8x317.3x52mm
Fanless:	No
Weight:	6kg

4 566,38 zł

net price: 3 712,50 zł

BiBox 215-I510



intel®



CERTIFICATES

SPECIFICATION

RESISTANCE

WIRELESS COMMUNICATION

APPLICATION

ACCESSORIES AND AVAILABLE VERSIONS

The BiBox 215-I510 industrial computer panel is a durable and dependable device that combines desktop-grade performance with the convenience of a touchscreen interface. Featuring a 21.5-inch Full HD display (1920×1080 px) and an energy-efficient Intel Core i5-10210U processor, it delivers smooth operation and low power consumption. Its IP65-rated front panel provides protection against dust and moisture, making it ideal for automation systems,

production lines, and control environments. The BiBox 215-I510 panel PC ensures consistent and reliable performance even in demanding industrial conditions.

CERTIFICATES



The BiBox 215-I510 control panel holds essential CE, FCC, and RoHS certifications, confirming compliance with international safety and quality standards. The CE mark ensures alignment with EU directives, FCC certification guarantees freedom from electromagnetic interference, and RoHS compliance confirms the use of eco-friendly materials. This comprehensive certification demonstrates that the device meets the highest technical, environmental, and operational requirements. It's a professional and safe industrial-grade solution.

SPECIFICATION

BiBox 215-I510	
Certifications	CE FCC RoHS
Network	1× Realtek RTL 8111E Gigabit Ethernet controller
Processor	Intel Core i5-10210U (with fan)
Graphics	Integrated
Operating system	Windows 11 Pro
Memory	32GB RAM 8GB *(optional) 16GB *(optional)
SSD	1TB 256GB *(optional) 512GB *(optional)
Display	21.5" (1920x1080) 250 nits 1000 nits *(optional)
Touch screen	Capacitive (10-point)
Viewangle	89°/89°/89°/89° (R/L/U/D)
Protection	IP65 (front panel)
Communication	BT WiFi 6 4G *(optional)

BiBox 215-I510

Connectors	1x MIC 4x USB 2x LAN 1x EAR 1x HDMI Power DC12V 2x RS232 1x VGA
	RS485 instead of 1x RS232 * (optional)
	RS422 instead of 1x RS232 * (optional)
	4 additional RS232 ports * (optional)
	9-36V power supply * (optional)



Detailed device specification is available in the "Technical data".

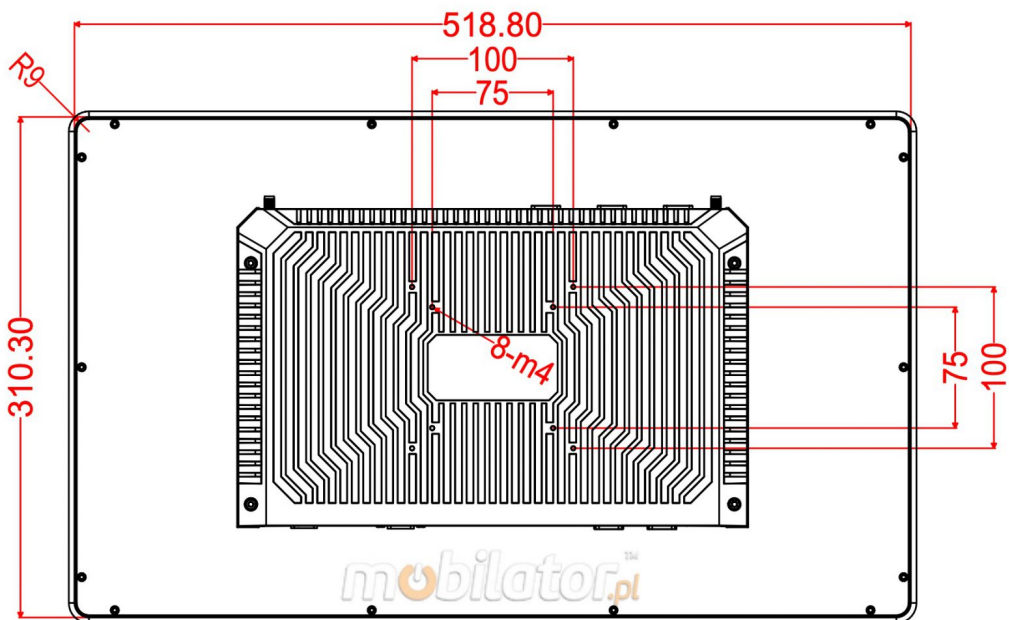
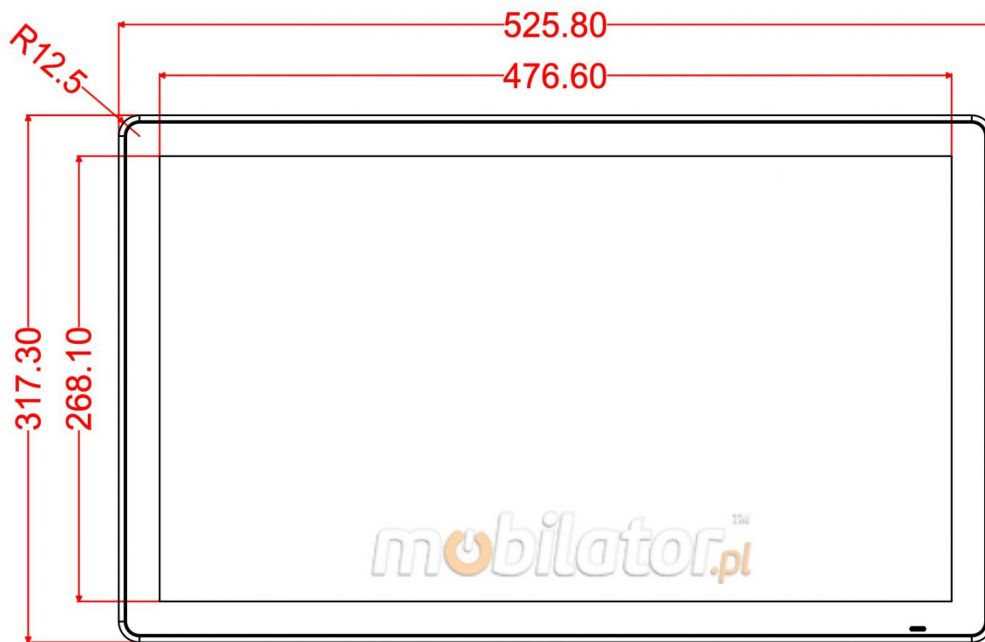
The BiBox 215-I510 industrial touch computer is a powerful and energy-efficient solution designed for demanding manufacturing and automation environments. Its quad-core Intel Core i5-10210U processor with eight threads delivers excellent multitasking performance and fast data processing. With an enhanced cache memory, the system ensures smooth operation under heavy workloads. This professional panel PC is ideal for running advanced industrial applications.

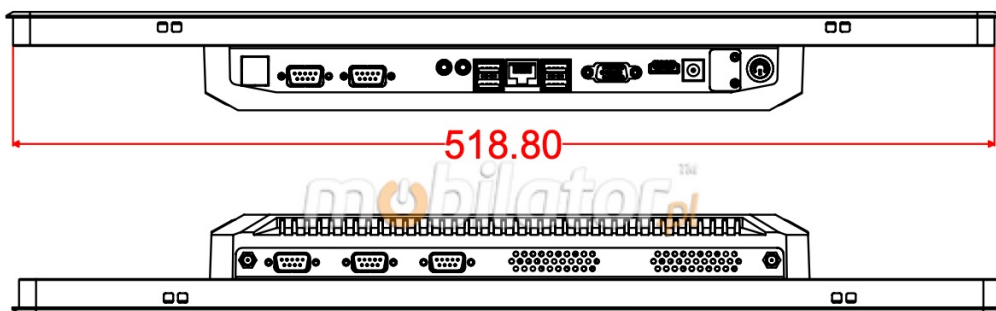
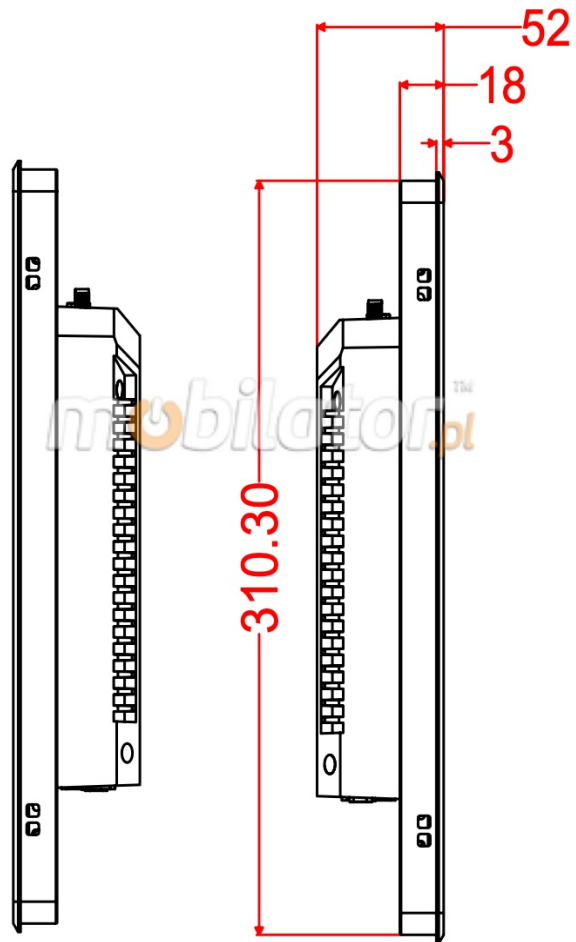
up...

Dimensions

The durable BiBox 215-I510 industrial panel PC measures 525.8 × 317.3 × 52 mm and features a slim, space-saving design perfectly suited for control cabinets and limited industrial environments.

Dimensions	525.8 × 317.3 × 52 mm
-------------------	-----------------------





up...

Capacitive screen



A capacitive screen detects touch by changing the electrostatic field created when you touch the screen with your finger. Unlike resistive technology, it doesn't require any physical pressure. This makes operation precise and fluid, with the screen responding to even the lightest touches. This technology also supports multitouch, allowing for simultaneous recognition of multiple touch points, enabling gestures such as zooming or rotating.

Aluminium Bezel Style

*(option)



ALUMINIUM BEZEL STYLE

Aluminum Bezel Style is a solution in which the screen frame is made of aluminum or finished with this material. This gives the device an immediate, premium look and significantly increases the feeling of solidity. Aluminum, being a more durable and rigid material than plastic, provides better protection against scratches and damage. Furthermore, in addition to its aesthetic appeal, this metal dissipates heat more effectively while maintaining the device's slim profile without compromising structural strength.

***At the customer's request, it is possible to order the BiBox 215-I510 device in the Aluminum Bezel Style version. Version available in the configurator.**

250-nits screen



The BiBox 215-I510 industrial panel PC is a durable and reinforced computing solution designed for efficient operation in challenging industrial environments. Its 250-nit display brightness ensures excellent readability and user comfort in shaded areas or under moderate sunlight. This balanced luminance provides a clear image and accurate process monitoring. The BiBox 215-I510 panel computer is a professional solution for automation, manufacturing, and machine control applications.




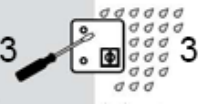
[up...](#)






RESISTANCE

IP65



The IP65-rated front panel provides complete protection against dust and resistance to powerful water jets from any direction. This makes it an excellent, reliable, and durable solution for demanding operating conditions where the device is exposed to atmospheric conditions but not to complete immersion in water

Firts digit	Protection level	Second digit
No special protection	0  0	No special protection
Protection from solid objects greater than 50mm in diameter	1  1	Protection from dripping water
Protection from object not greater than 12mm in diameter	2  2	Protection from vertically dripping water (tilted up to 15°)
Protection from object not greater than 2,5mm in diameter	3  3	Protection from sprayed water (tilted up to 60°)

Firts digit	Protection level	Second digit
Protection from object not greater than 1mm in diameter	 4 4	Protection from splashed water
Complete protection against contact, Protection against dust deposit	 5 5	Protection from water projected from a nozzle
Complete protectionm against contact, protection from infiltration of dust	 6 6	Protection against heavy seas, or powerful jets of water
	 7	Protection against immersion
	 8	Protection against complete, continuous submersion in water

Extreme temperatures

The BiBox 215-I510 industrial touch computer is a modern and robust device engineered for operation in extreme environmental conditions. Its reinforced housing ensures reliable performance within a wide temperature range of -10°C to 60°C, and in humidity levels up to 95% (non-condensing). The system also allows for safe storage between -20°C and 70°C, providing maximum flexibility for transport and warehousing. This professional industrial solution is ideal for continuous operation in demanding automation and manufacturing environments.

Working Temp.	-10°C do 60°C
Storage Temp.	-20°C do 70°C
Humidity	5% do 95%

COMMUNICATIONS AND CONNECTIONS

BiBox 215-I510 21.5 cala dotykowy przemysłowy komputer panelowy

Communication

The device features two versatile Mini-PCIe expansion slots, allowing the installation of additional modules. You can add a WiFi card for wireless internet, a 3G/4G module for mobile connectivity, or an mSATA drive to expand storage. This capability makes the panel highly flexible and easily customizable for a wide range of industrial applications.

Ports

The PC panel BiBox 215-I510 provides a comprehensive set of connectors for maximum functionality in industrial environments. Connectivity includes four USB ports, an HDMI video output, dual LAN ports for stable network communication and 1 VGA port. Two RS-232 (one port can be replaced with either RS485 or RS422) serial ports are essential for system integration, while full audio support includes a microphone input (MICx1) and headphone output (EARx1). The computer panel is powered by DC 12V. On client's wish, four additional RS-232 ports can be added.

APPLICATION

The BiBox 215-I510

Panel PC is an exceptionally versatile tool that performs well in both intensive industrial environments and the retail sector. Designed for centralized system control, the efficient display of detailed information (e.g., about products or production line status), and the dynamic presentation of content, including advertising, the device's true strength lies in its installation flexibility: thanks to full VESA compatibility, the panel can be quickly and securely mounted in almost any location. Regardless of the application—whether it's a cash register terminal, a process monitoring point on the factory floor, or a fleet management component for delivery vehicles—the BiBox 215-I510 guarantees reliability, perfectly suited to any demanding operational network.



Industry and Construction

Specialized panel computers are synonymous with reliability in the harshest operating environments. Their reinforced enclosures, certified to the IP65 (front panel) standard, provide complete resistance to dust and powerful water jets. This makes devices like the BiBox 215-I510 the ideal choice for applications where traditional equipment would quickly deteriorate – from demanding construction sites, to dynamic logistics centers, to intensive production lines. This durability allows you to rely on your equipment without fear of damage.

Warehouse

This reliable panel computer was created to accelerate warehouse operations. Equipped with RS-232 interfaces, it enables centralized device control, making management simple and efficient. Furthermore, its durable construction is fully resistant to industrial factors such as dust and dirt. This ensures stable and reliable operation even in the harshest and most polluted production environments.



ACCESSORIES AND AVAILABLE VERSIONS

The BiBox 215-I510 heavy-duty panel PC is available in several versions tailored to different needs. Clicking on the hardware configuration number will redirect you to the product with the parameters listed in the table below. Furthermore, upon request, we can create a configuration not currently available.

	v.1	v.2	v.3	v.4	v.5	v.6	v.7	v.8
BT + WiFi	—	+	+	+	+	+	+	+
Windows 11 Pro	—	—	+	+	+	+	+	+
WiFi 6	—	—	—	+	+	+	+	+
4G	—	—	—	+	—	—	—	—
1000 nits	—	+	—	+	—	+	—	+
8GB RAM + 256GB SSD	+	+	+	+	—	—	—	—
16GB RAM + 512GB SSD	—	—	—	—	+	+	—	—
32GB RAM + 1TB	—	—	—	—	—	—	+	+



More photos in full resolution available in the "Gallery".