

Fanless industrial mini computer IBOX-603
i3 6100U v.1



| | |
|---------------------------------|---|
| Category: | MiniPC Industry |
| Manufacturer: | Mobikator |
| Supported OS: | Windows: 7/8//10 Linux |
| Installed OS: | ----- |
| Chipset: | Intel Chipset |
| CPU Support: | Intel i3 |
| Installed CPU: | Intel Core i3 6100U (2x 2.30GHz) SmartCache 3MB |
| Graphic Card: | Intel HD Graphics 520 |
| Memory Support: | DDR4 SO-DIMM (max. 16GB) |
| Installed Memory: | 4 GB |
| Storage (HDD) Support: | SSD HDD |
| Installed Storage (HDD): | 64GB SSD |
| IP Norm: | ----- |
| Temp: | 0°C — 50°C |
| Storage temperature: | -20°C — 60°C |

| | |
|-----------------------------|--|
| Humidity: | 5% ~ 95% |
| Others: | Color Black |
| LAN: | 5x Intel i211-AT 10/100/1000 Mb/s |
| Wireless LAN card: | Option (Intel 6205 Dual-Band 802.11 a/b/g/n) |
| 3G: | ----- |
| Bluetooth: | ----- |
| Rear Panel (ports): | 5x LAN1x HDMI1x VGA4x USB 3.01x SIM1x DC 9~36V |
| Front Panel (ports): | Power ON2x COM (RS232) |
| Expansion: | ----- |
| Power: | 9~36V |
| Watch Dog Timer: | Yes |
| CD/DVD Drive: | ----- |
| TV Tuner: | ----- |
| Dimensions: | 237mm x 164mm x 70.5mm |
| Fanless: | Yes |
| Weight: | 1600g |

4 215,83 zł

net price: 3 427,50 zł



IBOX 603

TECHNICAL SPECIFICATION

RESISTANCE AND DURABILITY

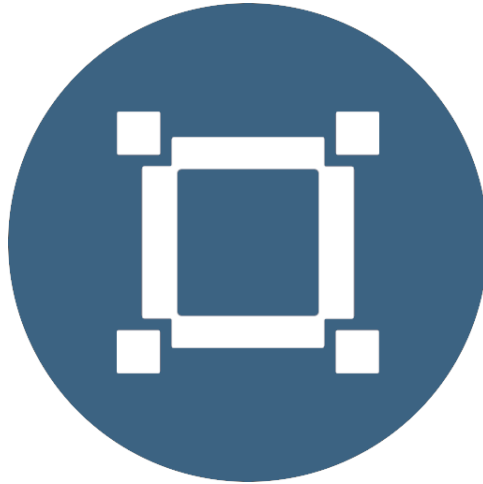
CONNECTIVITY AND COMMUNICATION

DEVICE APPLICATION

AVAILABLE VERSIONS

Small dimensions industrial computers excel in environments where dust, dirt and moisture predominate. They are ideal for applications requiring quiet

operation. Small and reliable MiniPC use heat-pipe technology and aluminum fins for passive cooling. The robust mini Industrial Computer IBOX 603 is a device designed for all industrial and non-continuous applications requiring continuous operation - 24 hours, 7 days a week.



Small dimensions

The compact housing means that the Mini PC will fit wherever you need it and is easy to carry.



Lightweight design

The computer's weight does not exceed 2.0 kg, so it can be conveniently carried in a bag or

backpack.



Efficient components

The Intel Core i3 6100U duo-core CPU provides improved device performance.



Wireless network *

The mini PC can be connected to nearby wireless networks by equipping it with an optional Wi-Fi module.



Quick start

A modern SSD drive will increase the speed of application programs and ensure quiet computer operation.



Passive cooling

The use of passive cooling in the Mini PC ensures silent operation and slows dust deposition.

* Optional equipment, available only in other versions of the device.

SPECIFICATION

Mini-PC IBOX 603

| | |
|------------------|--|
| Processor | Intel Core i3 6100U (2x 2.30GHz) SmartCache 3MB |
| Operation system | Support: Windows 7/8/10 Linux |
| RAM | 4GB DDR4 SO-DIMM |
| Drive | 64GB SSD |
| Graphic card | Intel HD Graphics 520 |
| Connectivity | WLAN: Intel 6205 Dual-Band 802.11 b/g/n * LAN: 5x Intel i211-AT Gigabit Ethernet |
| Front panel | Power ON 2x COM (RS232) |
| Rear panel | 5x LAN 1x HDMI 1x VGA 4x USB 3.0 1x SIM 1x DC 9~36V |
| Available colors | Black |
| Dimensions | 237 x 164 x 70.5mm |
| Weight | 1.6 kg |

* Optional equipment, available only in other versions of the device.



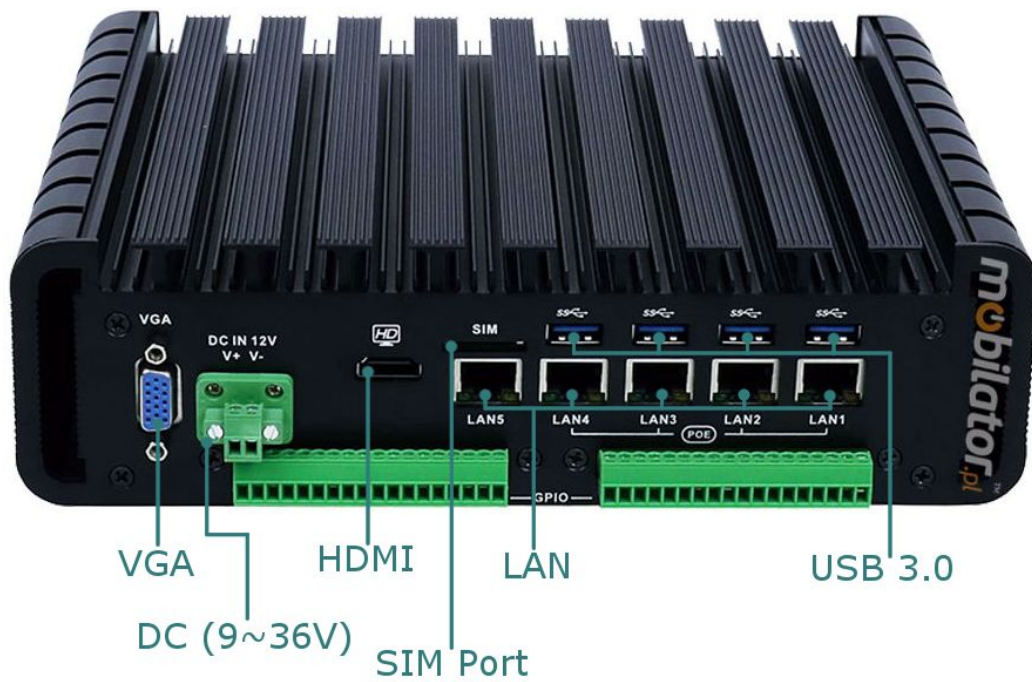
Detailed device specification is available in the "Technical data".

Efficient processor



The industrial mini-computer IBOX 603 uses an efficient and energy-saving Intel Core i3 6100U processor. Inside it there are four cooperating cores enabling more efficient processing of many tasks at the same time. The shared cache memory in which the multilevel hierarchy is used is dynamically allocated to each processor core depending on the load. This reduces the average access time to the main memory. The implemented Virtualization Technology (VT-x) allows one hardware platform to function as multiple “virtual” platforms. It offers improved manageability by limiting downtime and maintaining productivity by isolating computing activities into separate partitions.

Interfaces



Dimensions



Thanks to the small dimensions of the MiniPC, the IBOX 603 is versatile for use at home, in the office and in the industry, for example in the production hall. It's literally everywhere, and thanks to the VESA mount it can be mounted on the back of the monitor to optimize the job.

| | |
|-------------------|--------------------|
| Dimensions | 237 x 164 x 70.5mm |
| Weight | 1.6 kg |

Passive cooling

The industrial Mini PC uses a proven cooling system, based only on solid elements, mainly heat sinks. The system uses the phenomenon of metals passing thermal energy into the environment - there are no additional moving elements in the form of eg fans. This solution ensures noiseless operation, lower failure rate and greater protection against dust and other dirt while reducing the amount of energy consumed.

RESISTANCE AND DURABILITY



Temperatures

IBOX 603 is designed for continuous operation in both very low and high temperatures ranging from 0 ° C to 50 ° C. If the device is switched off, it can already handle temperatures in the range of -20 ° C to 60 ° C.

| | |
|----------------------|---------------|
| Work temp. | 0°C do 50°C |
| Storage temp. | -20°C do 60°C |
| Humidity | 5% do 95% |

Mechanical damage

The passive cooling system used in the MiniPC IBOX 603 combined with the SSD disk makes this computer very resistant to various types of mechanical injuries. An additional advantage of industrial computers is a solid construction made of high quality aluminum and specially designed in such a way that in addition to high efficiency in heat dissipation, it can also resist any external damage.

CONNECTIVITY AND COMMUNICATION

Wireless network (Option)

The dual-band Wi-Fi module provides quick access to the network wherever you can connect to secured or open Wi-Fi networks. This is a convenient solution for people who have a router at home or place of residence and a wireless network that can be used at no extra charge. Industrial mini-PC IBOX 603 has been equipped the standard of - 802.11n, which allows transfer of files at a dizzying speed of up to 300 Mb / s.

Wired LAN Network

The MiniPC IBOX 603 has built-in Intel network adapters that can work in a fast Gigabit Ethernet network.

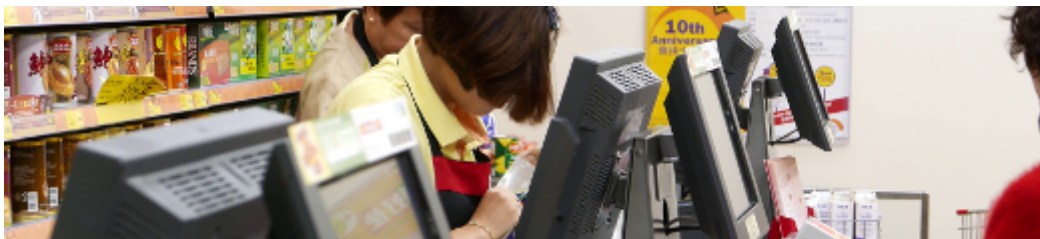


DEVICE APPLICATION

Trade and service

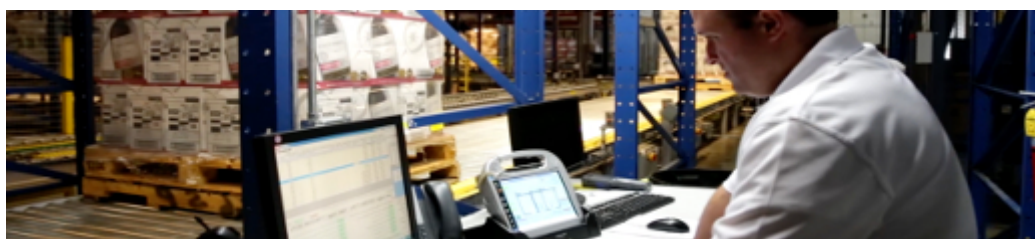
Mini PC is an ideal tool to support us in the implementation of many activities in the field of trade, small dimensions increase the possibility of its adaptation to activities such as issuing invoices or preparing documentation, which in turn allows us to convenient and optimal sales management. The VESA holder mounted to the housing provides many installation options, eg in stores (at the cash register, under the desktop, behind the LCD / LED monitor), in factory halls or in a delivery truck.

VESA Mount



Warehouse and logistics

Thanks high performance an industrial computer can be used to connect multiple devices in a warehouse and make their management much easier. Its rugged casing and the fanless cooling system are ideal for harsh environments in such rooms. The solid construction guarantees long-lasting work, even in environments with high dustiness and dirt.



Transport and motorization

A small industrial computer can be used in transport thanks to the ability to work on 12V power supply. Then the mini computer can be used in passenger cars, buses, trams, taxis, trains and even in airplanes. It allows you to inform the driver about the current state of the vehicle, transfer its current location to the management center, display information for passengers, etc. It performs well in vehicles where small dimensions are important.



More photos in full resolution available in the "Gallery".

AVAILABLE VERSIONS

The industrial mini-computer IBOX 603 is offered in several versions to suit different needs. By clicking on the number of the hardware configuration you will be redirected to the product with the parameters given in the table below. In addition, it is possible to create a configuration that is currently unavailable on the customer's request.

| | v.0 | v.1 | v.2 | v.3 | v.4 | v.5 |
|-----------|-----|-----|-----|-----|-----|-----|
| 4GB RAM | — | | — | — | — | — |
| 8GB RAM | — | — | | | — | — |
| 16GB RAM | — | — | — | — | | |
| 64GB SSD | — | | — | — | — | — |
| 128GB SSD | — | — | — | | — | — |
| 256GB SSD | — | — | — | — | — | |
| 500GB HDD | — | — | | — | — | — |

| | | | | | |
|---------|---|---|---|---|---|
| 1TB HDD | - | - | - | - | - |
| WiFi | - | - | | | |

| | v.0 | v.1 | v.2 | v.3 | v.4 | v.5 |
|-----------|-----|-----|-----|-----|-----|-----|
| 4GB RAM | - | + | - | - | - | - |
| 8GB RAM | - | - | + | + | - | - |
| 16GB RAM | - | - | - | - | + | + |
| 64GB SSD | - | + | - | - | - | - |
| 128GB SSD | - | - | - | + | - | - |
| 256GB SSD | - | - | - | - | - | + |
| 500GB HDD | - | - | + | - | - | - |
| 1TB HDD | - | - | - | - | + | - |
| WiFi | - | - | + | + | + | + |