



Fanless industrial mini computer IBOX-603
i3 6100U v.4



Category:	MiniPC Industry
Manufacturer:	Mobikator
Supported OS:	Windows: 7/8//10 Linux
Installed OS:	-----
Chipset:	Intel Chipset
CPU Support:	Intel i3
Installed CPU:	Intel Core i3 6100U (2x 2.30GHz) SmartCache 3MB
Graphic Card:	Intel HD Graphics 520
Memory Support:	DDR4 SO-DIMM (max. 16GB)
Installed Memory:	16 GB
Storage (HDD) Support:	SSD HDD
Installed Storage (HDD):	1TB HDD
IP Norm:	-----
Temp:	0°C — 50°C
Storage temperature:	-20°C — 60°C

Humidity:	5% ~ 95%
Others:	Color Black
LAN:	5x Intel i211-AT 10/100/1000 Mb/s
Wireless LAN card:	Intel 6205 Dual-Band 802.11 a/b/g/n
3G:	-----
Bluetooth:	-----
Rear Panel (ports):	5x LAN1x HDMI1x VGA4x USB 3.01x SIM1x DC 9~36V
Front Panel (ports):	Power ON2x COM (RS232)
Expansion:	-----
Power:	9~36V
Watch Dog Timer:	Yes
CD/DVD Drive:	-----
TV Tuner:	-----
Dimensions:	237mm x 164mm x 70.5mm
Fanless:	Yes
Weight:	1600g

4 727,81 zł

net price: 3 843,75 zł



IBOX 603

TECHNICAL SPECIFICATION

RESISTANCE AND DURABILITY

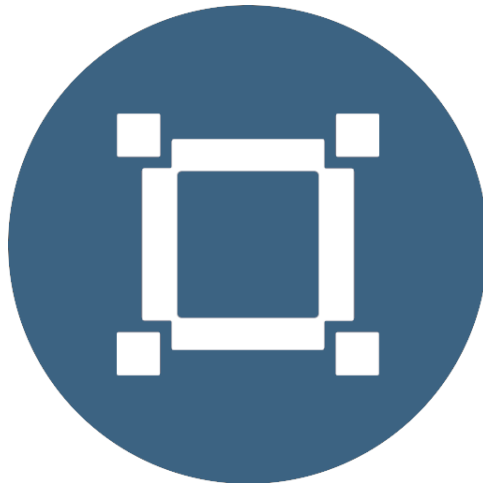
CONNECTIVITY AND COMMUNICATION

DEVICE APPLICATION

AVAILABLE VERSIONS

Small dimensions industrial computers excel in environments where dust, dirt and moisture predominate. They are ideal for applications requiring quiet

operation. Small and reliable MiniPC use heat-pipe technology and aluminum fins for passive cooling. The robust mini Industrial Computer IBOX 603 is a device designed for all industrial and non-continuous applications requiring continuous operation - 24 hours, 7 days a week.



Small dimensions

The compact housing means that the Mini PC will fit wherever you need it and is easy to carry.



Lightweight design

The computer's weight does not exceed 2.0 kg, so it can be conveniently carried in a bag or

backpack.



Efficient components

The Intel Core i3 6100U duo-core CPU provides improved device performance.



Wireless network

The mini PC can be connected to nearby wireless networks by equipping it with an optional Wi-Fi module.



Data storage

The large capacity of the hard disk will allow storing important computer user data.



Passive cooling

The use of passive cooling in the Mini PC ensures silent operation and slows dust deposition.

SPECIFICATION

Mini-PC IBOX 603

Processor

Intel Core i3 6100U (2x 2.30GHz) SmartCache 3MB

Mini-PC IBOX 603

Operation system	Support: Windows 7/8/10 Linux
RAM	16GB DDR4 SO-DIMM
Drive	1TB HDD
Graphic card	Intel HD Graphics 520
Connectivity	WLAN: Intel 6205 Dual-Band 802.11 b/g/n * LAN: 5x Intel i211-AT Gigabit Ethernet
Front panel	Power ON 2x COM (RS232)
Rear panel	5x LAN 1x HDMI 1x VGA 4x USB 3.0 1x SIM 1x DC 9~36V
Available colors	Black
Dimensions	237 x 164 x 70.5mm
Weight	1.6 kg

* Optional equipment, available only in other versions of the device.



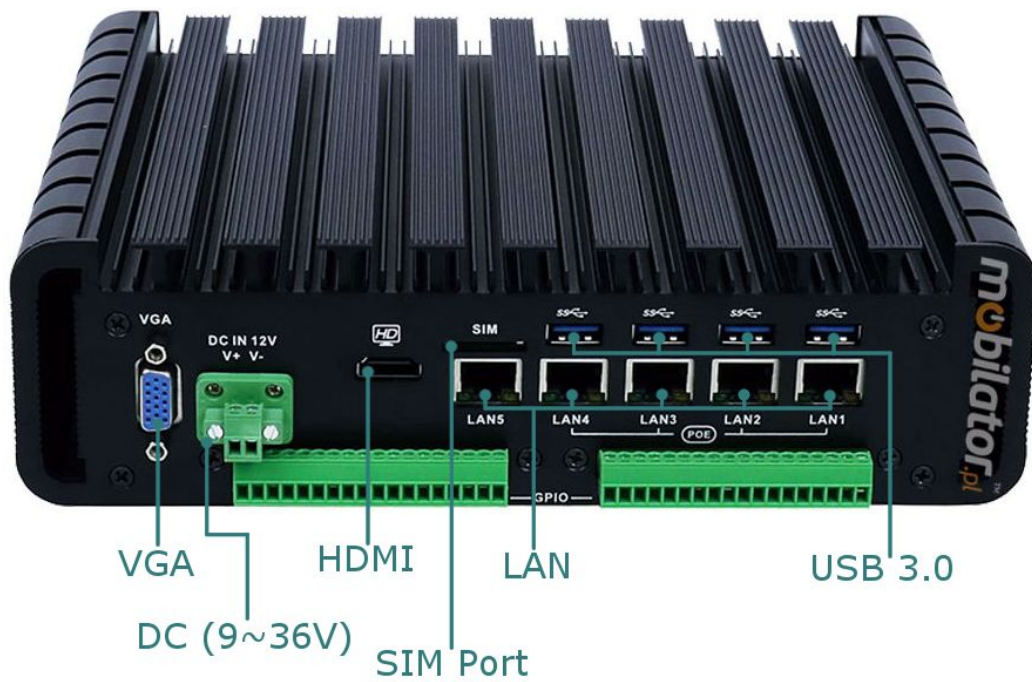
Detailed device specification is available in the "Technical data".

Efficient processor



The industrial mini-computer IBOX 603 uses an efficient and energy-saving Intel Core i3 6100U processor. Inside it there are four cooperating cores enabling more efficient processing of many tasks at the same time. The shared cache memory in which the multilevel hierarchy is used is dynamically allocated to each processor core depending on the load. This reduces the average access time to the main memory. The implemented Virtualization Technology (VT-x) allows one hardware platform to function as multiple “virtual” platforms. It offers improved manageability by limiting downtime and maintaining productivity by isolating computing activities into separate partitions.

Interfaces



Dimensions



Thanks to the small dimensions of the MiniPC, the IBOX 603 is versatile for use at home, in the office and in the industry, for example in the production hall. It's literally everywhere, and thanks to the VESA mount it can be mounted on the back of the monitor to optimize the job.

Dimensions	237 x 164 x 70.5mm
Weight	1.6 kg

Passive cooling

The industrial Mini PC uses a proven cooling system, based only on solid elements, mainly heat sinks. The system uses the phenomenon of metals passing thermal energy into the environment - there are no additional moving elements in the form of eg fans. This solution ensures noiseless operation, lower failure rate and greater protection against dust and other dirt while reducing the amount of energy consumed.

RESISTANCE AND DURABILITY



Temperatures

IBOX 603 is designed for continuous operation in both very low and high temperatures ranging from 0 ° C to 50 ° C. If the device is switched off, it can already handle temperatures in the range of -20 ° C to 60 ° C.

Work temp.	0°C do 50°C
Storage temp.	-20°C do 60°C
Humidity	5% do 95%

Mechanical damage

The passive cooling system used in the MiniPC IBOX 603 combined with the SSD* disk makes this computer very resistant to various types of mechanical injuries. An additional advantage of industrial computers is a solid construction made of high quality aluminum and specially designed in such a way that in addition to high efficiency in heat dissipation, it can also resist any external damage.

CONNECTIVITY AND COMMUNICATION

Wireless network (Option)

The dual-band Wi-Fi module provides quick access to the network wherever you can connect to secured or open Wi-Fi networks. This is a convenient solution for people who have a router at home or place of residence and a wireless network that can be used at no extra charge. Industrial mini-PC IBOX 603 has been equipped the standard of - 802.11n, which allows transfer of files at a dizzying speed of up to 300 Mb / s.

Wired LAN Network

The MiniPC IBOX 603 has built-in Intel network adapters that can work in a fast Gigabit Ethernet network.

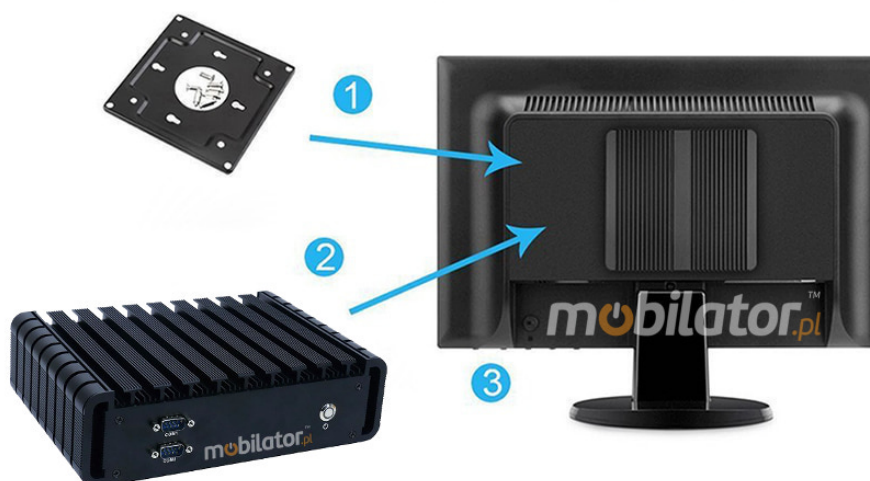


DEVICE APPLICATION

Trade and service

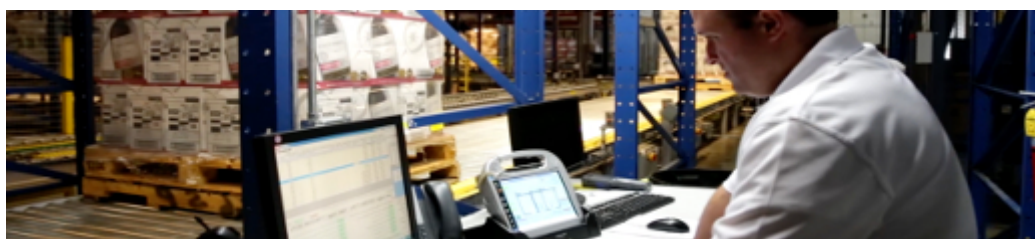
Mini PC is an ideal tool to support us in the implementation of many activities in the field of trade, small dimensions increase the possibility of its adaptation to activities such as issuing invoices or preparing documentation, which in turn allows us to convenient and optimal sales management. The VESA holder mounted to the housing provides many installation options, eg in stores (at the cash register, under the desktop, behind the LCD / LED monitor), in factory halls or in a delivery truck.

VESA Mount



Warehouse and logistics

Thanks high performance an industrial computer can be used to connect multiple devices in a warehouse and make their management much easier. Its rugged casing and the fanless cooling system are ideal for harsh environments in such rooms. The solid construction guarantees long-lasting work, even in environments with high dustiness and dirt.



Transport and motorization

A small industrial computer can be used in transport thanks to the ability to work on 12V power supply. Then the mini computer can be used in passenger cars, buses, trams, taxis, trains and even in airplanes. It allows you to inform the driver about the current state of the vehicle, transfer its current location to the management center, display information for passengers, etc. It performs well in vehicles where small dimensions are important.



More photos in full resolution available in the "Gallery".

AVAILABLE VERSIONS

The industrial mini-computer IBOX 603 is offered in several versions to suit different needs. By clicking on the number of the hardware configuration you will be redirected to the product with the parameters given in the table below.

In addition, it is possible to create a configuration that is currently unavailable on the customer's request.

	v.0	v.1	v.2	v.3	v.4	v.5
4GB RAM	—		—	—	—	—
8GB RAM	—	—			—	—
16GB RAM	—	—	—	—		
64GB SSD	—		—	—	—	—
128GB SSD	—	—	—		—	—
256GB SSD	—	—	—	—	—	
500GB HDD	—	—		—	—	—

1TB HDD	-	-	-	-	-
WiFi	-	-			

	v.0	v.1	v.2	v.3	v.4	v.5
4GB RAM	-	+	-	-	-	-
8GB RAM	-	-	+	+	-	-
16GB RAM	-	-	-	-	+	+
64GB SSD	-	+	-	-	-	-
128GB SSD	-	-	-	+	-	-
256GB SSD	-	-	-	-	-	+
500GB HDD	-	-	+	-	-	-
1TB HDD	-	-	-	-	+	-
WiFi	-	-	+	+	+	+