



## FullRugged Tablet - Amplux TP-M840R v.1

<b>Category:</b>	UMPC - Ruggedized
<b>Manufacturer:</b>	Amplux
<b>Operating System:</b>	None (Option Windows Xp / 7)
<b>Display:</b>	8.4" (800x600)
<b>Brightness:</b>	350nit
<b>Processor:</b>	Intel® Atom™ Z530 1.6GHZ
<b>Memory:</b>	1GB DDRII
<b>Hard Drive:</b>	2.5" 160GB HDD
<b>Touch screen:</b>	Yes
<b>Durability:</b>	MIL-810F / Full Rugged
<b>Drop:</b>	MIL-STD 810F Method 516.5 / 1.20m
<b>Shock:</b>	MIL-STD 810F Method 516.5
<b>Vibration:</b>	MIL-STD 810F Method 514.5
<b>Temperature:</b>	High temp. MIL-STD 810F Method 501.4 60°C / Low temp. MIL-STD 810F Method 502.4 -20°C

<b>Humidity:</b>	10 - 90%
<b>Other:</b>	Fanless / Standard VESA
<b>Battery:</b>	Li-Ion 4800mAh
<b>Working time on battery:</b>	300min - 5h
<b>LAN:</b>	Yes 10/100/1000 LAN
<b>WLAN:</b>	Yes WiFi b/g
<b>Bluetooth:</b>	Yes Bluetooth 2.0
<b>WAN:</b>	No
<b>GPS:</b>	No (Option)
<b>Camera:</b>	No
<b>In/Out:</b>	3xUSB 2.0, 1x VGA, 1xJack Audio, Mikrofon, 1x RJ-45, 1xRS232
<b>Optional accessories:</b>	Car AC, Docking Station, Vehicle Mount Kit VESA, Vehicle Mount Kit, Carrying Handle, Shoulder Handle, Carry Bag
<b>Contrast:</b>	600:1
<b>Graphics card:</b>	Intel® US15W integrated
<b>Chipset:</b>	Intel® US15W
<b>BIOS:</b>	AMI System BIOS
<b>Flash Card Reader:</b>	None
<b>CD/DVD:</b>	No (optional by USB)
<b>Audio:</b>	2 Speakers stereo surround
<b>Keyboard:</b>	No
<b>Additional Navigation Devices :</b>	No
<b>Color:</b>	Graphit
<b>Swivel Hinge:</b>	No
<b>VGA out:</b>	Yes
<b>TV Out:</b>	No
<b>TV Tuner:</b>	No
<b>Security:</b>	Gum corners
<b>Waterproof:</b>	IP 54

**Sand and dust:** IP 54

**Size:** 259 x 215 x 45 mm / 2.0 Kg / VESA

**Product from the Archive - production finished**



TP-M840R



**MENU**

**Description**

**Functionality**

**Use**

**Resistance standard**

**Certificate**



**AMPLUX** PCs are an ideal gadget for mobile professionals. They enable you to take notes quickly and work in close spaces. Rugged Tablet PCs provide even more benefits for mobile professionals. **TP-M840R** is fully rugged and is certified for both military and industrial ruggedization standards.

## Description

### Case and size



Integrated options include a GPS solution, GSM/GPRS/EDGE/3G/HSDPA(external PCIE card), LCD (touchscreen and digitizer). In addition, IP54 certified design with a full aluminium-magnesium alloy case, helps to ensure that the **TP-M840R** will stand up to the most rigorous environments.

### Communications

Amplux **TP-M840R** supports the state of art wireless network feature. It basically supports the wireless LAN 802.11 b/g, Bluetooth has built-in 3G HSDPA module option. The great expansion of WiFi technologies to wireless connect to the Internet both in professional and domestic settings through the public or private hot-spots, make your **TP-M840R** an inseparable resource for your daily activities. You can enjoy the use of various wireless networks and wireless Internet to your heart's content with UMPC **TP-M840R** at any time and place where the wireless Internet environment is established.



## Processor and chipset



TP-M840R is supported Intel Single Core Atom Z530 1.6GHz processor, thanks to what it is unusually energy-saving, keeping near this large efficiency of work, what proof system is Windows XP / 7 which be dedicated for this device.

[list of content...](#)

[go top...](#)

## Screen

**TP-M840R** ships standard with a transfective sunlight viewable 8.4" LED 800x600 screen, ideal for high ambient light conditions standard 350nits, option 800 nits and contrast 600:1. A built-in touch screen allows finger-touch inputs directly on the screen or the use of the stylus pen for data input capability.



## Option accessories

**AMPLUX** delivers our all new Ruggedized Tablet products with two kind of series: one is Rugged Mobile PC Series for a Panel PC with battery charging solution, other series is Rugged Tablet PC Series with totally portable design with hot-swap battery for outdoor use.



Car AC



Docking Station



Vehicle Mount Kit VESA



Vehicle Mount Kit



Carrying Handle



Shoulder Handle



Carry Bag

## Functionality



1. Slot PCI Express

2. 2xUSB, In/Out audio, microphone

3. RS232, DC-in Jack

4. Docking expansion

5. LED Indicators

6. On/Off

7. Buttons Software

8. Speakers



### Ergonomics:

-Designed with about customer.

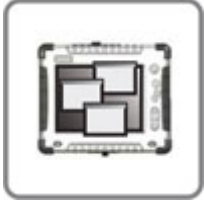
-Comfortable strong handle be irreplaceable in transportation.

[list of content...](#)

[go top...](#)

**Mobility:**

- WiFi 802.11b/g,
- Bluetooth,
- option GSM/GPRS/CDMA/UMTS/EDGE PCI Express card,
- option GPS PCI Express card

**Software:**

- Programmable function HotKey buttons.
- Programmable application HotTab SW
- Support: Windows XP, 7

**Cooling:**

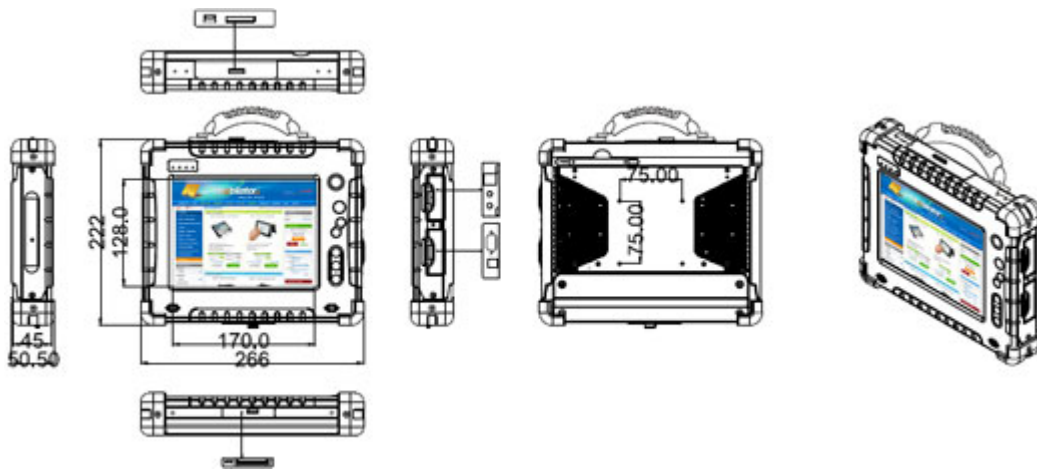
- Fanless.

**Durability:**

- Full Rugged aluminium-magnesium alloy case.

**Screen:**

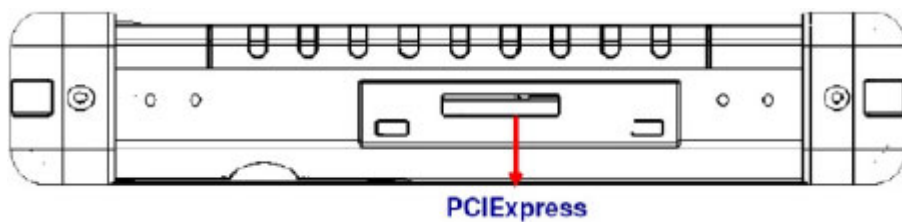
- 8.4" LED 800x600 touch screen, ideal for high ambient light conditions  
standard 350nits, option 800nits and contrast 600:1.



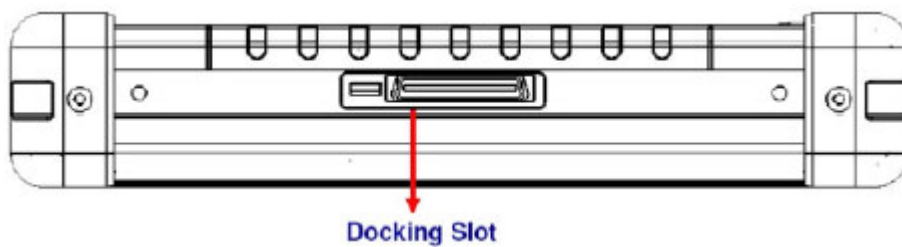
[list of content...](#)

[go top...](#)

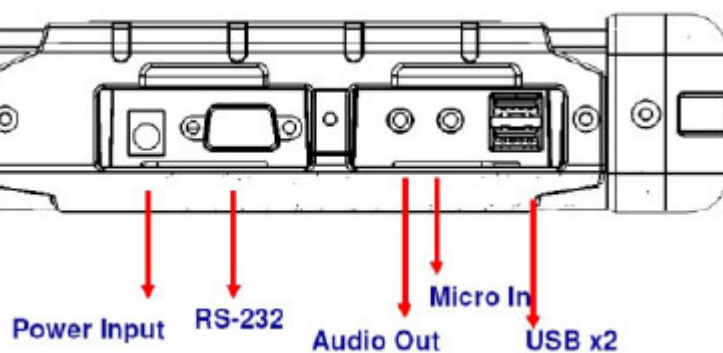
**Top view:**



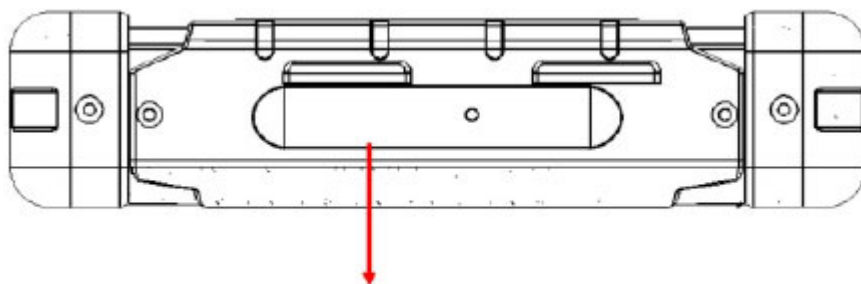
**Bottom view:**



**Right view:**



Left view:



No Input/ Output

[list of content...](#)

[go top...](#)



The TP-M840R, rugged tablet is ideal solution for Government; industrial/commercial customers who are interested in the ability to work in rough environments yet maintain productivity without the risk of data or performance losses.



Transport  
Logistyka  
Spedycja



Budowa



Medycyna  
Laboratoria



Straż pożarna



Energetyka  
Geodezja  
Gazownictwo



Wojsko

[list of content...](#)

[go top...](#)

## Resistance standard

The following is a top-level introduction to US Military standard **MIL-STD-810**, used to define the testing methodology for, and results required for acceptance of, rugged equipment.

MIL-STD-810 is a series of performance and manufacturing guidelines set by the US Department of Defense for military and commercial equipment and applications. These guidelines specify allowable parts and environmental condition ranges in which a device must be able to operate to meet compliance.

MIL-STD 810 is a generally accepted standard of ruggedisation testing and compliance for mobile computers and equipment.

The MIL-STD-810 test method is used to generate confidence in the environmental worthiness and overall durability of 'material system' design. The testing process follows guidelines, which include program documentation, program roles, test standards, and laboratory test method guidelines for all categories.

The laboratory test methods are broken down into 24 categories and thereafter procedures (specific tests or levels) appropriate to the environment in which the equipment is expected to be used. The compliance test categories are shown overleaf.

### **Hight Temperature: MIL-STD 810F Metod 501.4**

Low Temperature: MIL-STD 810F Metod 502.4

Vibration: MIL-STD 810F Metod 514.5

Shock: MIL-STD 810F Metod 516.5

[list of content...](#)

[go top...](#)

## Certificate



Dictionary:

**Nit** - 1Nit = 1Candela - The candela is the luminous intensity, in a given direction, of a source that emits monochromatic radiation of frequency  $540 \times 10^{12}$  hertz and that has a radiant intensity in that direction of  $\frac{1}{683}$  watt per steradian. The definition describes how to produce a light source that (by definition) emits one candela. Such a source could then be used to calibrate instruments designed to measure luminous intensity.

The candela is sometimes still called by the old name candle, such as in foot-candle and the modern definition of candlepower.

	v.1	v.1	v.1	v.2	v.3	v.4	v.5
2 GB	+	-	-	-	-	-	-
4 GB	-	-	-	+	-	-	-
8 GB	-	-	-	-	+	-	-
16 GB	-	-	-	-	-	+	-
32 GB	-	-	-	-	-	-	+