



HyBOX 1012B-D4 i7-10610U (DC 9-36V) v.4  
- (3 YEAR WARRANTY) dust and dust resistant, very efficient, mini computer for industrial applications, fanless with a powerful Intel i7 processor, WiFi, 16GB RAM, SSD drives 1TB and HDD 1TB - Windows 10 Profes

<b>Category:</b>	MiniPC Industry
<b>Manufacturer:</b>	Mobilator
<b>Supported OS:</b>	Windows: 7/8//10   Linux
<b>Installed OS:</b>	Windows 10 Pro license
<b>Chipset:</b>	Intel Chipset
<b>CPU Support:</b>	Intel Core i7
<b>Installed CPU:</b>	Intel i7-10610U (4x 1.80GHz)
<b>Graphic Card:</b>	Intel UHD Graphics
<b>Memory Support:</b>	DDR4 (max.64GB)
<b>Installed Memory:</b>	<b>16GB DDR4</b>
<b>Storage (HDD) Support:</b>	SSD   HDD
<b>Installed Storage (HDD):</b>	<b>1TB SSD 1TB HDD</b>
<b>IP Norm:</b>	-----
<b>Temp:</b>	-20°C do 60°C
<b>Storage temperature:</b>	-30°C do 70°C
<b>Humidity:</b>	10% ~ 90%
<b>Others:</b>	Color Black
<b>LAN:</b>	2xGbE RJ-45 Intel i211/i210

<b>Wireless LAN card:</b>	2xExternal WiFi Antennas
<b>3G:</b>	-----
<b>Bluetooth:</b>	No
<b>Rear Panel (ports):</b>	1xGPIO  2x RS-232 2x RJ-45 LAN 4xUSB3.0 1x HDMI1x VGA 1x 3 Pin DC 9-36V Input 2x Złącza antenowe
<b>Front Panel (ports):</b>	4x RS-232/422/485 COM 1x AT/ATX Switch  2xUSB2.0 1x PS2 2x Audio 1x LPT
<b>Expansion:</b>	-----
<b>Power:</b>	9~36V
<b>Watch Dog Timer:</b>	Yes
<b>CD/DVD Drive:</b>	-----
<b>TV Tuner:</b>	-----
<b>Dimensions:</b>	249 x 150 x 86,21 mm
<b>Fanless:</b>	Yes
<b>Weight:</b>	2300g

**3 533,18 zł**

net price: 2 872,50 zł



#### TECHNICAL SPECIFICATION

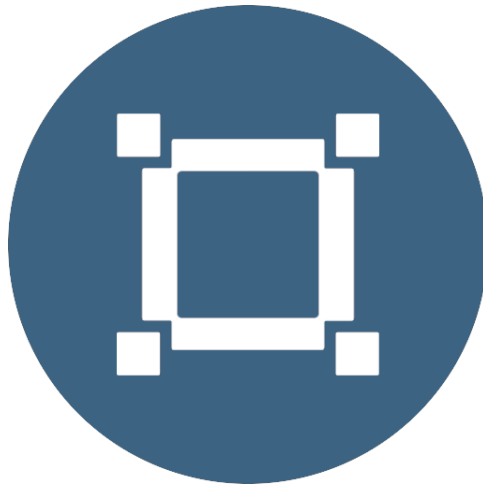
#### RESISTANCE AND DURABILITY

#### CONNECTIVITY AND COMMUNICATION

#### DEVICE APPLICATION

#### AVAILABLE VERSIONS

Small dimensions industrial computers excel in environments where dust, dirt and moisture predominate. They are ideal for applications requiring quiet operation. Small and reliable MiniPC use heat-pipe technology and aluminum fins for passive cooling. The robust mini Industrial Computer HyBOX 1012B-D4 is a device designed for all industrial and non-continuous applications requiring continuous operation - 24 hours, 7 days a week.



### Small dimensions

The compact housing



### Lightweight design

The computer's weight does not exceed 2.3 kg, so it can be conveniently carried in a bag or backpack.



### Efficient components

Intel Core i7-10610U  
quad-core CPU provides  
improved device  
performance.



### Wireless network

The mini PC can be  
connected to nearby  
wireless networks by  
equipping it with an  
optional Wi-Fi module.



#### Quick start

A modern SSD drive will increase the speed of application programs and ensure quiet computer operation.



#### Passive cooling

The use of passive cooling in the Mini PC ensures silent operation and slows dust deposition.

## SPECIFICATION

### Mini-PC HyBOX 1012B-D4

Processor

Intel i7-10610U (4x 1.80GHz)

## Mini-PC HyBOX 1012B-D4

Operation system	Windows 10 Pro license
RAM	DDR4: 16GB
Drive	1TB SSD   1TB HDD
Graphic card	Intel UHD Graphics
Connectivity	WLAN: 2xExternal WiFi Antennas LAN;2xGbE RJ-45 Intel i211/i210
Front panel	4x RS_ 232/ 422/ 485 COM 1x AT/ATX Switch  2xUSB2.0 1x PS2 2x Audio 1x LPT
Rear panel	1xGPIO  2x RS_ 232 2x RJ-45 LAN 4xUSB3.0 1x HDMI1x VGA 1x 3 Pin DC 9-36V Input 2x WiFi antennas
Available colors	Black
Dimensions	249 x 150 x 86,21 mm
Weight	2.3 kg



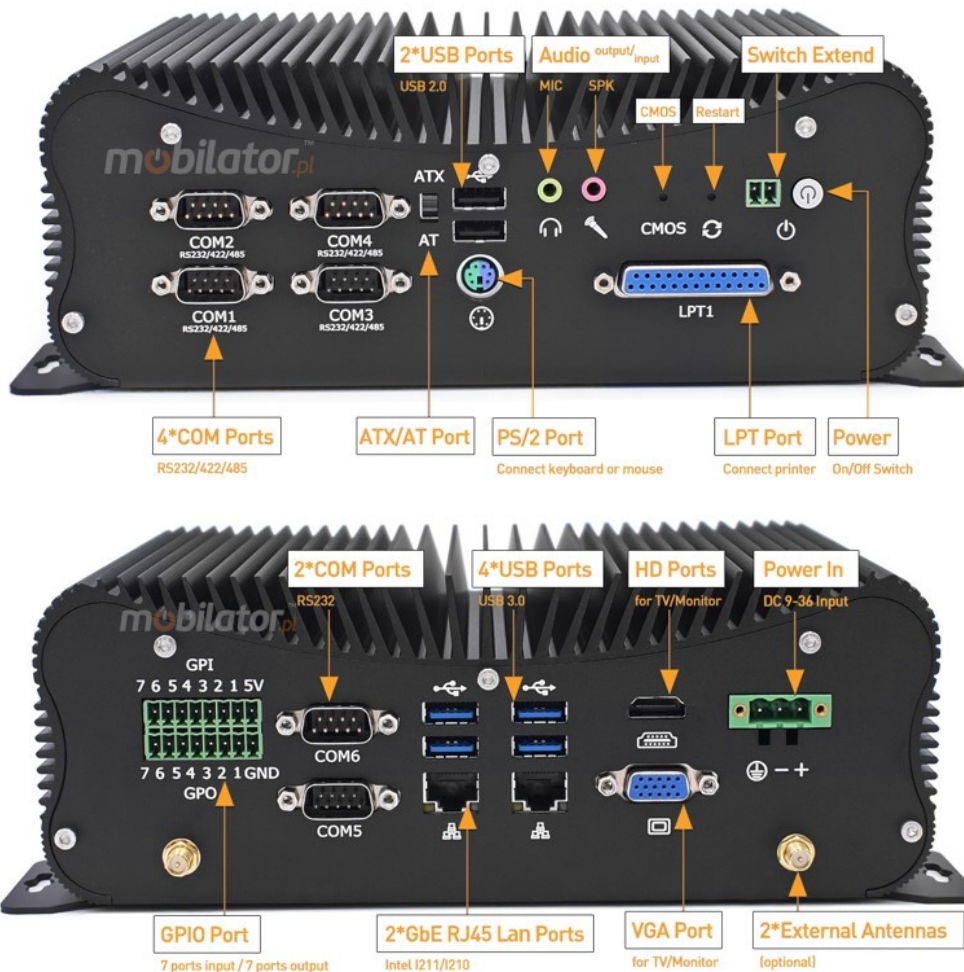
Detailed device specification is available in the "Technical data".

Efficient processor

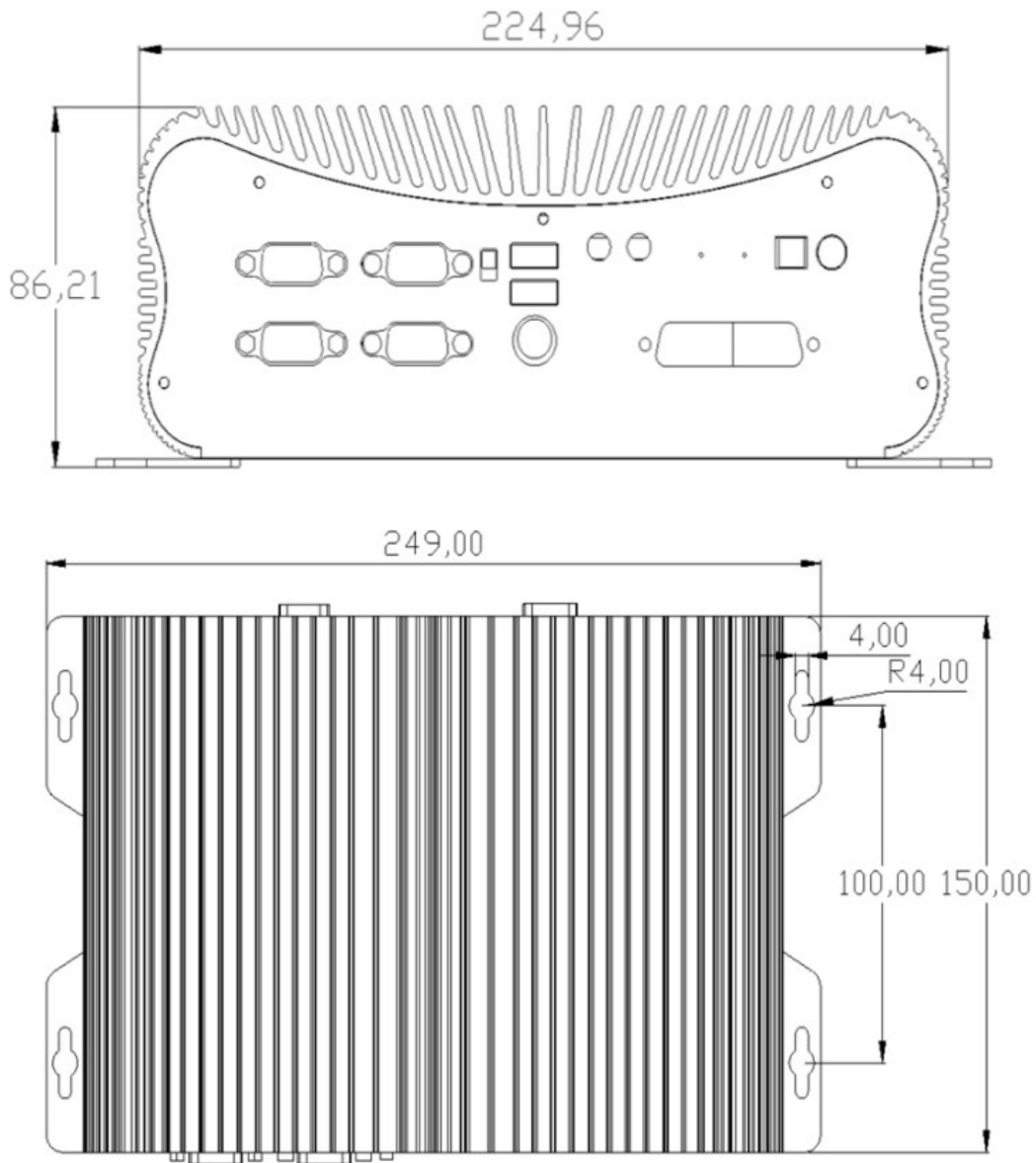


The industrial mini-computer HyBOX 1012B-D4 uses an efficient and energy-saving Intel Core i7-10610U processor. Inside it there are four cooperating cores enabling more efficient processing of many tasks at the same time. The shared cache memory in which the multilevel hierarchy is used is dynamically allocated to each processor core depending on the load. This reduces the average access time to the main memory.

## Interfaces



## Dimensions



Thanks to the small dimensions of the MiniPC, the is versatile for use at home, in the office and in the industry, for example in the production hall. It's literally everywhere, and thanks to the VESA mount it can be mounted on the back of the monitor to optimize the job.

<b>Dimensions</b>	249 x 150 x 86,21 mm
<b>Weight</b>	2300g

## Passive cooling

The industrial Mini PC uses a proven cooling system, based only on solid elements, mainly heat sinks. The system uses the phenomenon of metals passing thermal energy into the environment - there are no additional moving elements in the form of eg fans. This solution ensures noiseless operation, lower failure rate and greater protection against dust and other dirt while reducing the amount of energy consumed.

## RESISTANCE AND DURABILITY



## Temperatures

HyBOX

1012B-D4

is designed for continuous operation in both very low and high temperatures ranging from  $-20^{\circ}\text{C}$  to  $60^{\circ}\text{C}$

C. If the device is switched off, it can already handle temperatures in the range of -30°C to 70°C

<b>Work temp.</b>	-20°C do 60°C
<b>Storage temp.</b>	-30°C do 70°C
<b>Humidity</b>	10% to 90%

### Mechanical damage

The passive cooling system used in the MiniPC HyBOX 1012B-D4 combined with the non-disk SSD\* make this computer very resistant to various types of mechanical injuries. An additional advantage of industrial computers is a solid construction made of high quality aluminum and specially designed in such a way that in addition to high efficiency in heat dissipation, it can also resist any external damage.

## CONNECTIVITY AND COMMUNICATION

### Wireless network

The dual-band Wi-Fi module provides quick access to the network wherever you can connect to secured or open Wi-Fi networks. This is a convenient solution for people who have a router at home or place of residence and a wireless network that can be used at no extra charge. Industrial mini-PC HyBOX 1012B-D4 has been equipped the standard of -Mini PCI-E Wi-Fi Module , which allows transfer of files at a dizzying speed of up to 300 Mb / s.

## Wired LAN Network

The MiniPC HyBOX 1012B-D4 has built-in Intel network adapter that can work in a fast Gigabit Ethernet network.



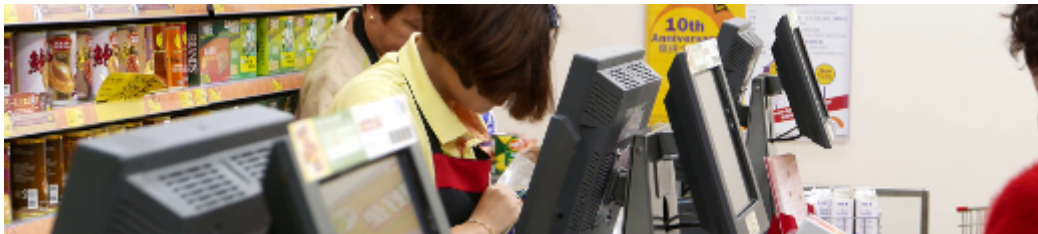
## DEVICE APPLICATION

### Trade and service

Mini PC is an ideal tool to support us in the implementation of many activities in the field of trade, small dimensions increase the possibility of its adaptation to activities such as issuing invoices or preparing documentation, which in turn allows us to convenient and optimal sales management. The VESA holder mounted to the housing provides many installation options, eg in stores (at

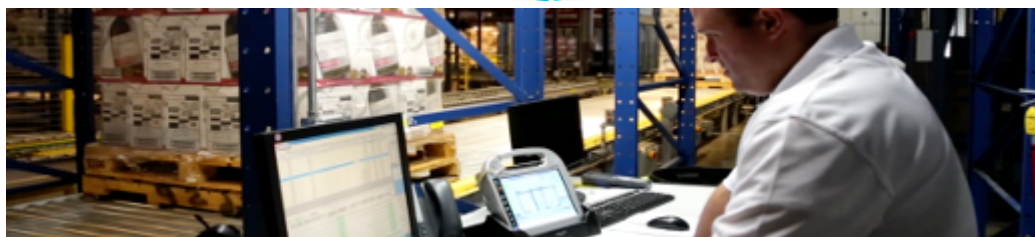
the cash register, under the desktop, behind the LCD / LED monitor), in factory halls or in a delivery truck.

VESA



## Warehouse and logistics

Thanks high performance an industrial computer can be used to connect multiple devices in a warehouse and make their management much easier. Its rugged casing and the fanless cooling system are ideal for harsh environments in such rooms. The solid construction guarantees long-lasting work, even in environments with high dustiness and dirt.



## Transport and motorization

A small industrial computer can be used in transport thanks to the ability to work on 12V power supply. Then the mini computer can be used in passenger cars, buses, trams, taxis, trains and even in airplanes. It allows you to inform the driver about the current state of the vehicle, transfer its current location to the management center, display information for passengers, etc. It performs well in vehicles where small dimensions are important.



More photos in full resolution available in the "Gallery".

## AVAILABLE VERSIONS

The industrial mini-computer HyBOX 1012B-D4 is offered in several versions to suit different needs. By clicking on the number of the hardware configuration you will be redirected to the product with the parameters given in the table below. In addition, it is possible to create a configuration that is currently unavailable on the customer's request.

	v.0	v.1	v.2	v.3	v.4	v.5	v.6
8GB RAM	—	+	+	—	—	—	—
16GB RAM	—	—	—	+	+	—	—
32GB RAM	—	—	—	—	—	+	—
64GB RAM	—	—	—	—	—	—	+
256GB SSD	—	+	—	—	—	—	—
512GB SSD	—	—	+	+	—	—	—
1TB SSD	—	—	—	—	+	+	+

1TB HDD	-	-	-	-	+	-	-
2TB HDD	-	-	-	-	-	+	-
4TB HDD	-	-	-	-	-	-	+
Licence Windows 10 PRO	-	-	-	-	+	+	+