

IBOX-706 (i5 6200U)



IBOX-706 (i5 6200U) v.2 - Small reinforced industrial computer with passive cooling



Category:	MiniPC Industry
Manufacturer:	Mobikator
Supported OS:	Windows: 7/8//10 Linux
Installed OS:	-----
Chipset:	Intel Chipset
CPU Support:	Intel Core i5 6200U
Installed CPU:	Intel Core i5 6200U dual core 2.3GHz Turbo boost 2.8GHz 3M
Graphic Card:	Intel HD Graphics
Memory Support:	SODIMM DDR4 (Max: 16GB)
Installed Memory:	8GB
Storage (HDD) Support:	SSD
Installed Storage (HDD):	256GB
IP Norm:	-----
Temp:	-20°C — 60°C
Storage temperature:	-20°C — 60°C
Humidity:	5% ~ 95%
Others:	Color Silver
LAN:	2xIntel WG82583 1000M Lan

Wireless LAN card:	Yes
3G:	(option)
4G LTE:	(option)
Bluetooth:	-----
Rear Panel (ports):	2x LAN RJ45 2x USB3.0 1x VGA 1x HDMI 6x COM Audio
Front Panel (ports):	Power ON 4x COM 2x USB2.0 2x USB3.0 10 PIN GPIO phoenix connecto 4 PIN switching signal phoenix connector
Expansion:	-----
Power:	DC 9 36V
Watch Dog Timer:	-----
CD/DVD Drive:	-----
TV Tuner:	-----
Dimensions:	230mm x 175mm x 84mm
Fanless:	Yes
Weight:	2.8 kg

3 081,15 zł

net price: 2 505,00 zł

IBOX-706 (i5 6200U)



TECHNICAL SPECIFICATION

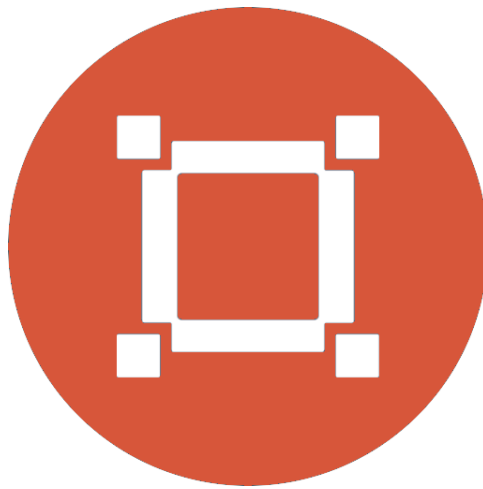
RESISTANCE AND DURABILITY

CONNECTIVITY AND COMMUNICATION

DEVICE APPLICATION

AVAILABLE VERSIONS

Small dimensions industrial computers excel in environments where dust, dirt and moisture predominate. They are ideal for applications requiring quiet operation. Small and reliable MiniPC use heat-pipe technology and aluminum fins for passive cooling. The robust mini Industrial Computer IBOX-706 is a device designed for all industrial and non-continuous applications requiring continuous operation - 24 hours, 7 days a week.



Small dimensions

The compact housing means that the Mini PC will fit wherever you need it and is easy to carry.



Lightweight design

The computer's weight does not exceed 3.0 kg, so it can be conveniently carried in a bag or backpack.



Efficient components

The Intel i5-6200U dual-core CPU provides improved device performance.



Wireless network

The mini PC can be connected to nearby wireless networks by equipping it with an optional Wi-Fi module.



Quick start

A modern SSD drive will increase the speed of application programs and ensure quiet computer operation.



Passive cooling

The use of passive cooling in the Mini PC ensures silent operation and slows dust deposition.

* Optional equipment, available only in other versions of the device.

SPECIFICATION

Mini-PC IBOX-706

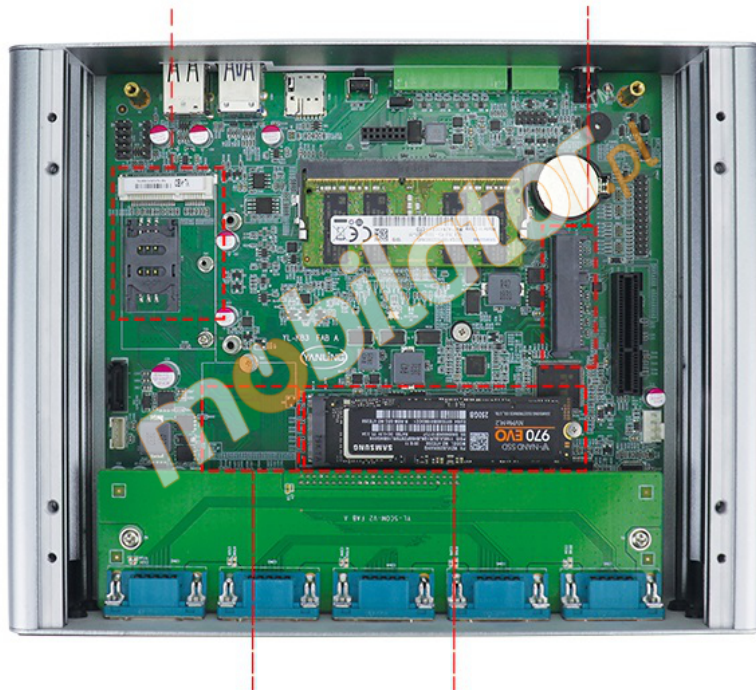
Processor	Intel Core i5 6200U dual core, 2.3GHz Turbo boost 2.8GHz
Operation system	Support: Windows 7/8/10 Linux
RAM	8 GB SODIMM DDR4
Drive	256 GB SSD
Graphic card	Intel HD Graphics
Connectivity	WiFi 3G * 4G * LAN: 2xIntel WG82583 1000M Lan
Front panel	2xUSB 3.0 2xUSB 2.0 4x COM SIM * 10 PIN GPIO phoenix connector 4 PIN switching signal phoenix connector
Rear panel	2xRJ45 1000M LAN 2 xUSB 3.0 1xVGA 1xHDMI 6xCOM Audio 1x DC 9 36V
Available colors	Gray
Dimensions	230 x 175 x 84 mm
Weight	2.8 kg

* Optional equipment, available only in other versions of the device.



Detailed device specification is available in the "Technical data".

Support 1*MINI PCIE
(WIFI/BT/3G/4G Optional, SIM Slot) 1*2.5" SATA3.0



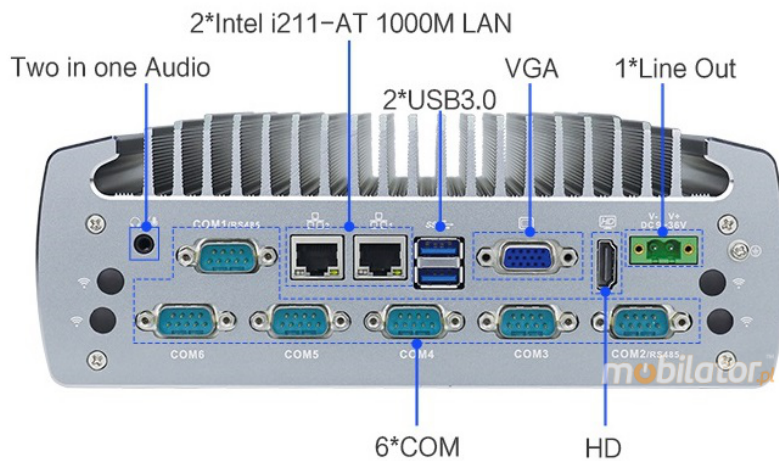
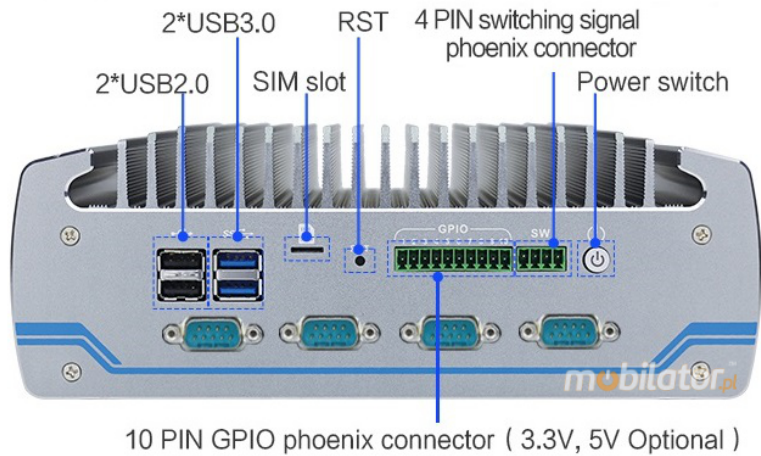
Support 1*M.2
(Support 3G/4G,
External SIM Slot)

Support 1*M.2 2280
(Support SATA, PCIE X4 SSD)

Efficient processor

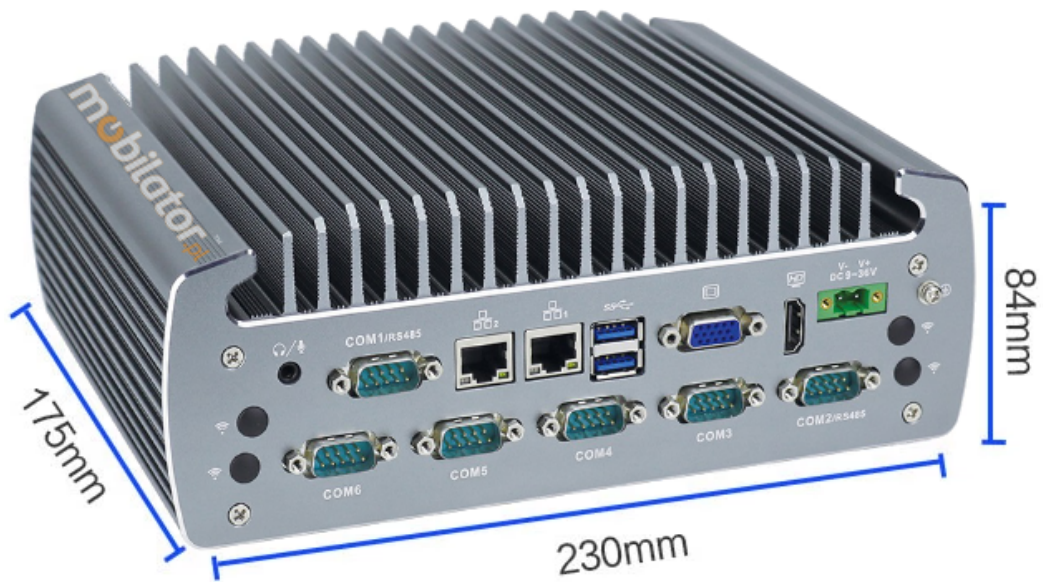
The industrial mini-computer IBOX-706 uses an efficient and energy-saving Intel i5 6200U processor. Inside it there are two cooperating cores enabling more efficient processing of many tasks at the same time. The shared cache memory in which the multilevel hierarchy is used is dynamically allocated to each processor core depending on the load. This reduces the average access time to the main memory. It offers improved manageability by limiting downtime and maintaining productivity by isolating computing activities into separate partitions.

Interfaces



Dimensions

Thanks to the small dimensions of the MiniPC, the IBOX-706 is versatile for use at home, in the office and in the industry, for example in the production hall. It's literally everywhere, and it can be mounted on the back of the monitor to optimize the job.



Dimensions	230 x 175 x 84 mm
Weight	2.8 kg

Passive cooling

The industrial Mini PC uses a proven cooling system, based only on solid elements, mainly heat sinks. The system uses the phenomenon of metals passing thermal energy into the environment - there are no additional moving elements in the form of eg fans. This solution ensures noiseless operation, lower failure rate and greater protection against dust and other dirt while reducing the amount of energy consumed.

RESISTANCE AND DURABILITY



Temperatures

IBOX-706

is designed for continuous operation in both very low and high temperatures ranging from -20°C to 60°C . If the device is switched off, it can already handle temperatures in the range of -20°C to 60°C .

Work temp.	-20°C do 60°C
Storage temp.	-20°C do 60°C
Humidity	5% do 95%

Mechanical damage

The passive cooling system used in the MiniPC IBOX-706

combined with the SSD disk makes this computer very resistant to various types of mechanical injuries. An additional advantage of industrial computers is a solid construction made of high quality aluminum and specially designed

in such a way that in addition to high efficiency in heat dissipation, it can also resist any external damage.

CONNECTIVITY AND COMMUNICATION

Wireless network (Option)

The dual-band Wi-Fi module provides quick access to the network wherever you can connect to secured or open Wi-Fi networks. This is a convenient solution for people who have a router at home or place of residence and a wireless network that can be used at no extra charge. Industrial mini-PC IBOX-706

has been equipped the standard of - 802.11n, which allows transfer of files at a dizzying speed of up to 300 Mb / s.

Wired LAN Network

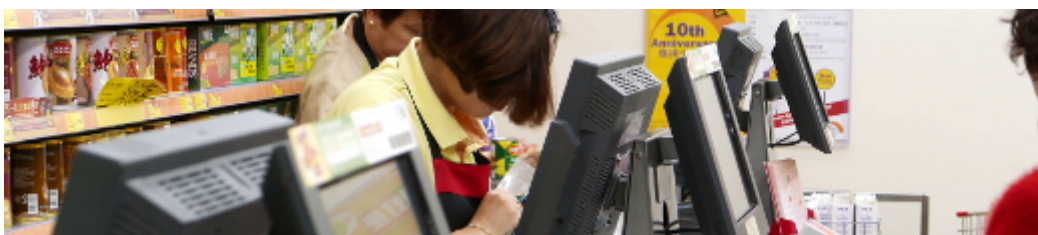
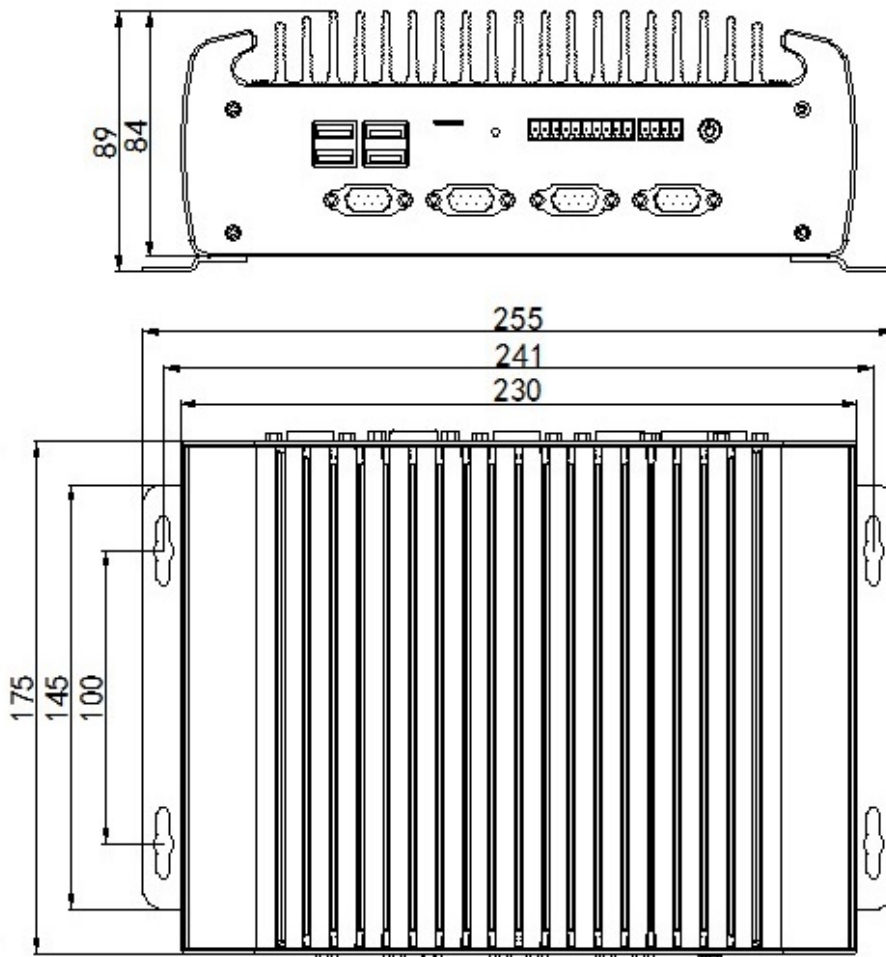
The MiniPC IBOX-706 has built-in Realtek network adapter that can work in a fast Gigabit Ethernet network.



DEVICE APPLICATION

Trade and service

Mini PC is an ideal tool to support us in the implementation of many activities in the field of trade, small dimensions increase the possibility of its adaptation to activities such as issuing invoices or preparing documentation, which in turn allows us to convenient and optimal sales management. The VESA holder mounted to the housing provides many installation options, eg in stores (at the cash register, under the desktop), in factory halls or in a delivery truck.



Warehouse and logistics

Thanks high performance an industrial computer can be used to connect multiple devices in a warehouse and make their management much easier. Its rugged casing and the fanless cooling system are ideal for harsh environments in such rooms. The solid construction guarantees long-lasting work, even in environments with high dustiness and dirt.



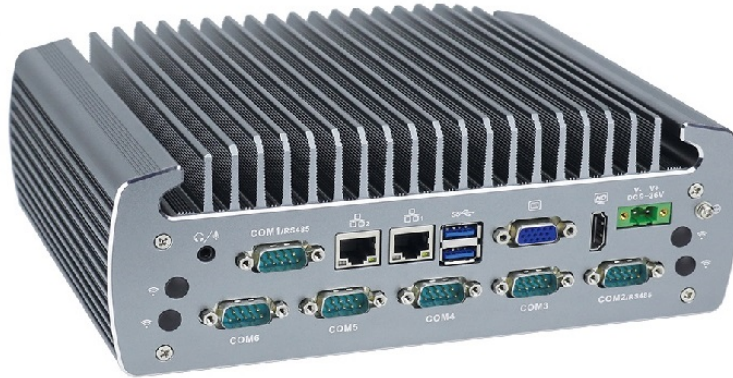
Monitor



TV



Projector



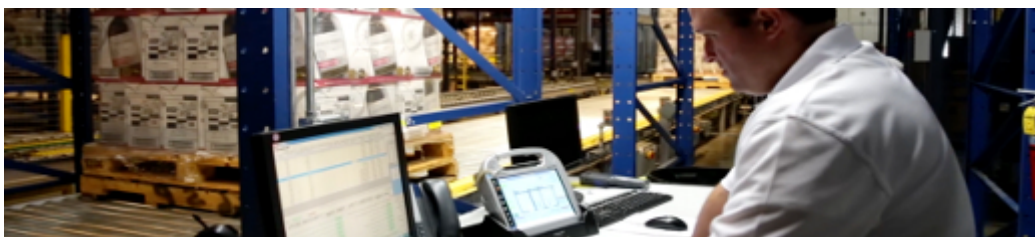
Printer



Digital signage



Monitoring



Transport and motorization

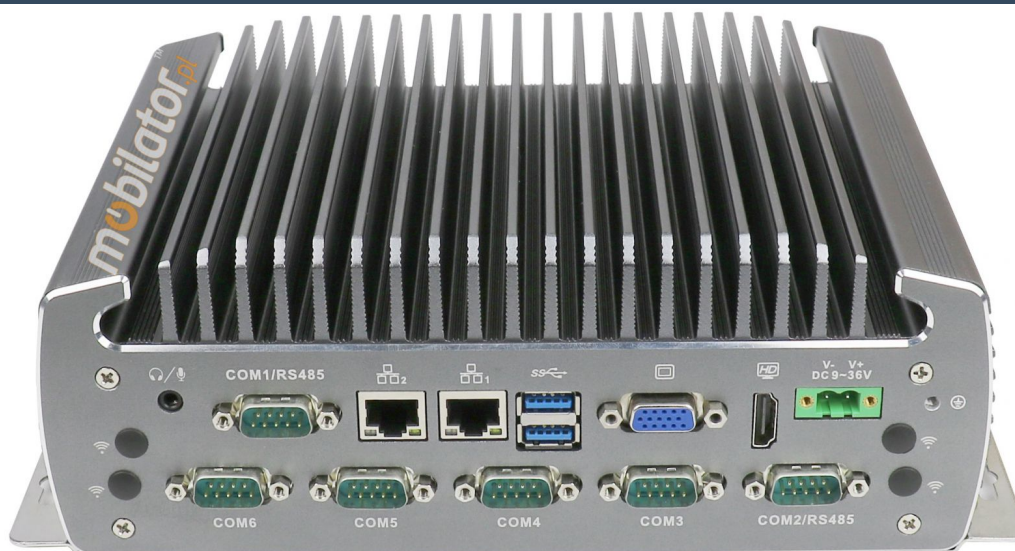
A small industrial computer can be used in transport thanks to the ability to work on 12V power supply. Then the mini computer can be used in passenger cars, buses, trams, taxis, trains and even in airplanes. It allows you to inform the driver about the current state of the vehicle, transfer its current location

to the management center, display information for passengers, etc. It performs well in vehicles where small dimensions are important.



More photos in full resolution available in the "Gallery".

AVAILABLE VERSIONS



The industrial mini-computer IBOX-706

is offered in several versions to suit different needs. By clicking on the number of the hardware configuration you will be redirected to the product with the parameters given in the table below. In addition, it is possible to create a configuration that is currently unavailable on the customer's request.

	v.1	v.2	v.3	v.4	v.5	Barebone
WiFi	+	+	+	-	-	-
3G	-	-	-	+	-	-

4G LTE	-	-	-	-	+	-
4GB RAM	+	-	-	+	+	-
8GB RAM	-	+	-	-	-	-
16GB RAM	-	-	+	-	-	-
64GB SSD	+	-	-	+	+	-
256GB SSD	-	+	-	-	-	-
512GB SSD	-	-	+	-	-	-