



IBOX N114 v.10 - Industrial miniPC with 8GB RAM, Intel Celeron processor, Windows support, 1TB HDD

Category:	MiniPC Industry
Manufacturer:	Mobikator
Supported OS:	Windows: 7/8//10 Linux
Installed OS:	-----
Chipset:	Intel Chipset
CPU Support:	Intel Celeron
Installed CPU:	Intel Celeron J1900 (4x2.00GHz)
Graphic Card:	Intel HD Graphics
Memory Support:	DDR3L (max.8GB)
Installed Memory:	8GB (Available in a different version)
Storage (HDD) Support:	SSD
Installed Storage (HDD):	1TB HDD
IP Norm:	-----
Temp:	0°C to 50°C(HDD) or -20°C to 60°C (SSD)
Storage temperature:	0°C do 50°C(HDD) lub -20°C do 60°C (SSD)
Humidity:	0% ~ 95%
Others:	Color Titanium Gray+ Blue
LAN:	2*Intel i211-AT 1000M
Wireless LAN card:	Intel 6205 Dual-Band 802.11 a/b/g/n

3G:	-----
Bluetooth:	Yes
Rear Panel (ports):	2xRJ-45 LAN1xAudio1xDC1xHDMI10xPIN 1xUSB 3.0 Phoenix1xVGA2xRS485
Front Panel (ports):	4xUSB 2.02xRS232
Expansion:	-----
Power:	12V
Watch Dog Timer:	Yes
CD/DVD Drive:	-----
TV Tuner:	-----
Dimensions:	148mm x 125mm x 58mm
Fanless:	Yes
Weight:	1000g

514,60 €

net price: 418,37 €



TECHNICAL SPECIFICATION

RESISTANCE AND DURABILITY

CONNECTIVITY AND COMMUNICATION

DEVICE APPLICATION

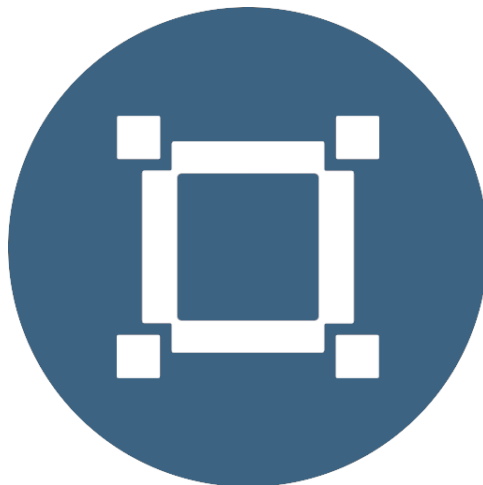
AVAILABLE VERSIONS

Small dimensions industrial computers excel in environments where dust, dirt and moisture predominate. They are ideal for applications requiring quiet operation. Small and reliable MiniPC use heat-pipe technology and aluminum fins for passive cooling. The robust mini Industrial Computer

IBOX

N114

is a device designed for all industrial and non-continuous applications requiring continuous operation - 24 hours, 7 days a week.



Small dimensions

The compact housing means that the Mini PC



Lightweight design

The computer's weight does not exceed 1 kg, so it can be conveniently carried in a bag or backpack.



Efficient components

The Intel Celeron J1900 quad-core CPU provides improved device performance.



Wireless network *

The mini PC can be connected to nearby wireless networks by equipping it with an optional Wi-Fi module.



Quick start *

A modern SSD drive will increase the speed of application programs and ensure quiet computer operation.



Passive cooling

The use of passive cooling in the Mini PC ensures silent operation and slows dust deposition.

* Optional equipment, available only in other versions of the device.

SPECIFICATION

Mini-PC IBOX N114	
Processor	Intel Celeron J1900 (4x2.00GHz)
Operation system	Support: Windows 7/8/10 Linux
RAM	8GB DDR3L
Drive	1TB HDD
Graphic card	Intel HD Graphics 320MHz
Connectivity	WLAN: Intel 6205 Dual-Band 802.11 a/b/g/n LAN: 2*Intel i211-AT 1000M
Front panel	4xUSB 2.0 2xRS232
Rear panel	1xDC 1xVGA 1xHDMI 1xUSB 3.0 2xRJ-45 LAN 1xSIM 2xRS485 10xPIN Phoenix

Mini-PC IBOX N114	
Available colors	Titanium Gray + Blue
Dimensions	148 x 125 x 58 mm
Weight	1 kg

* Optional equipment, available only in other versions of the device.



Detailed device specification is available in the "Technical data".

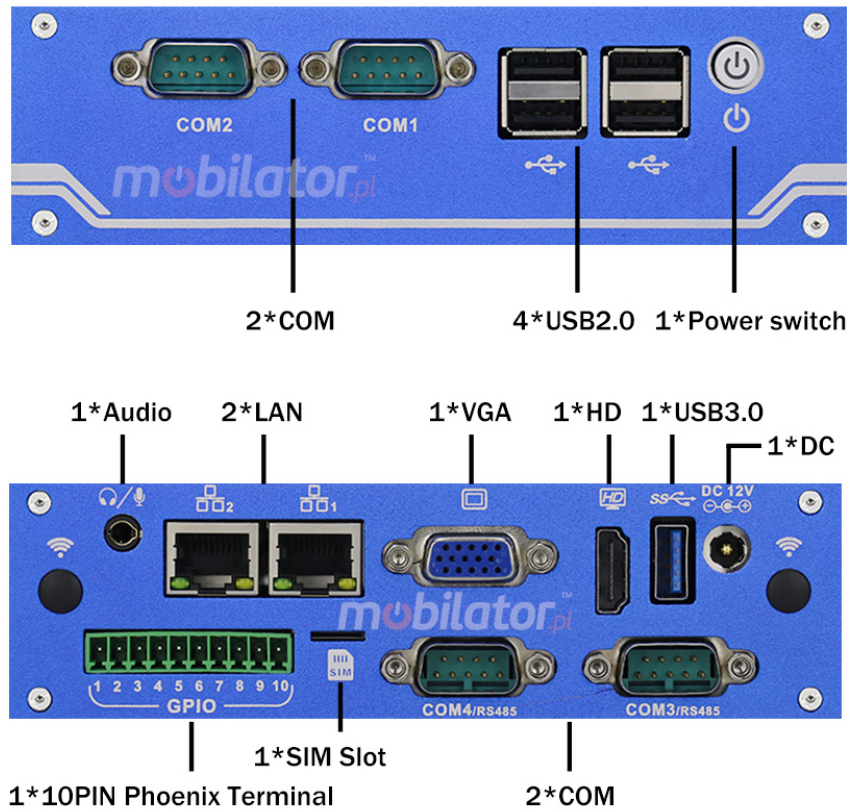
Efficient processor



The industrial mini-computer IBOX N114 uses an efficient and energy-saving Intel Celeron J1900 processor. Inside it there are four cooperating cores enabling more efficient processing of many tasks at the same time. The shared cache memory in which the multilevel hierarchy is used is dynamically allocated to each processor core depending on the load. This reduces the average access time

to the main memory.

Interfaces



Dimensions



Thanks to the small dimensions of the MiniPC, the is versatile for use at home, in the office and in the industry, for example in the production hall. It's literally everywhere, and thanks to the VESA mount it can be mounted on the back of the monitor to optimize the job.

Dimensions	148 x 125 x 58 mm
Weight	1000g

Passive cooling

The industrial Mini PC uses a proven cooling system, based only on solid elements, mainly heat sinks. The system uses the phenomenon of metals passing thermal energy into the environment - there are no additional moving elements in the form of eg fans. This solution ensures noiseless operation, lower failure rate and greater protection against dust and other dirt while reducing the amount of energy consumed.

RESISTANCE AND DURABILITY



Temperatures

IBOX

N114

is designed for continuous operation in both very low and high temperatures ranging from -20 ° C to 60 ° C. If the device is switched off, it can already handle temperatures in the range of -20 ° C to 60 ° C.

Work temp.	0°C to 50°C(HDD) or -20°C to 60°C (SSD)
Storage temp.	0°C to 50°C(HDD) or -20°C to 60°C (SSD)
Humidity	0% to 95%

Mechanical damage

The passive cooling system used in the MiniPC IBOX N114 combined with the non-disk SSD* make this computer very resistant to various types of mechanical injuries. An additional advantage of industrial computers is a solid construction made of high quality aluminum and specially designed in such a way that in addition to high efficiency in heat dissipation, it can also resist any external damage.

CONNECTIVITY AND COMMUNICATION

Wireless network (Option)

The dual-band Wi-Fi module provides quick access to the network wherever you can connect to secured or open Wi-Fi networks. This is a convenient solution for people who have a router at home or place of residence and a wireless network that can be used at no extra charge. Industrial mini-PC IBOX N114

has been equipped the standard of - 802.11n, which allows transfer of files at a dizzying speed of up to 300 Mb / s.

Wired LAN Network

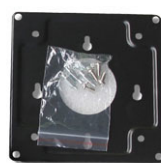
The MiniPC IBOX N114 has built-in Realtek network adapter that can work in a fast Gigabit Ethernet network.



DEVICE APPLICATION

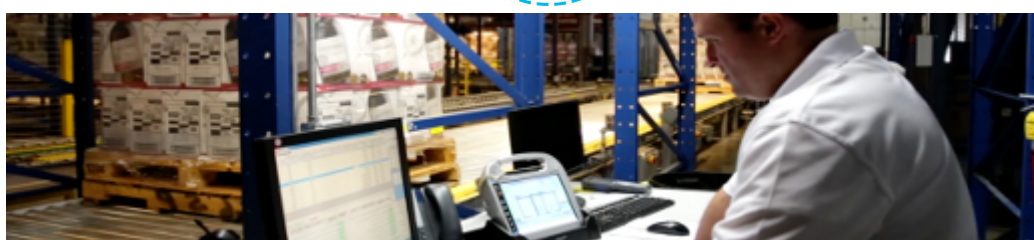
Mini PC is an ideal tool to support us in the implementation of many activities in the field of trade, small dimensions increase the possibility of its adaptation to activities such as issuing invoices or preparing documentation, which in turn allows us to convenient and optimal sales management. The VESA holder mounted to the housing provides many installation options, eg in stores (at the cash register, under the desktop, behind the LCD / LED monitor), in factory halls or in a delivery truck.

VESA



Warehouse and logistics

Thanks high performance an industrial computer can be used to connect multiple devices in a warehouse and make their management much easier. Its rugged casing and the fanless cooling system are ideal for harsh environments in such rooms. The solid construction guarantees long-lasting work, even in environments with high dustiness and dirt.



Transport and motorization

A small industrial computer can be used in transport thanks to the ability to work on 12V power supply. Then the mini computer can be used in passenger cars, buses, trams, taxis, trains and even in airplanes. It allows you to inform the driver about the current state of the vehicle, transfer its current location

to the management center, display information for passengers, etc. It performs well in vehicles where small dimensions are important.



More photos in full resolution available in the "Gallery".

AVAILABLE VERSIONS

The industrial mini-computer IBOX N114 is offered in several versions to suit different needs. By clicking on the number of the hardware configuration you will be redirected to the product with the parameters given in the table below. In addition, it is possible to create a configuration that is currently unavailable on the customer's request.

	v.1	v.2	v.3	v.4	v.5	v.6
WIFI	—	—	—	+	—	+
Bluetooth	—	—	—	+	—	+
4GB RAM	+	+	+	+	—	—
8GB RAM	—	—	—	—	+	+
64GB SDD	—	+	—	—	—	—

128GB SDD	-	-	+	-	+	-
256GB SDD	-	-	-	+	-	+
512GB SDD	-	-	-	-	-	-
500GB HDD	-	-	-	-	-	-
1TB HDD	-	-	-	-	-	-
2TB HDD	-	-	-	-	-	-
TPM 2.0	-	-	-	-	-	-

v.7 **v.8** **v.9** **v.10** **v.11**

WIFI	-	-	-	+	-
Bluetooth	-	-	-	+	-
4GB RAM	-	-	-	-	-
8GB RAM	+	+	+	+	+
64GB SDD	-	-	-	-	-
128GB SDD	-	-	-	-	-
256GB SDD	-	-	-	-	-
512GB SDD	+	+	-	-	-
500GB HDD	-	-	+	-	-
1TB HDD	-	+	-	+	-
2TB HDD	-	-	-	-	+
TPM 2.0	+	+	-	-	+