



## Industrial Computer Fanless MiniPC IBOX-J1900B (WiFi)



|                                 |  |
|---------------------------------|--|
| <b>Category:</b>                | MiniPC Industry                        |
| <b>Manufacturer:</b>            | Mobikator                              |
| <b>Supported OS:</b>            | Microsoft Windows: XP/Vista/7 , Linux  |
| <b>Installed OS:</b>            | -----                                  |
| <b>Chipset:</b>                 | Intel express chipset                  |
| <b>CPU Support:</b>             | -----                                  |
| <b>Installed CPU:</b>           | Intel Celeron Quad Core J1900 (4x2GHz) |
| <b>Graphic Card:</b>            | Intel HD Graphics                      |
| <b>Memory Support:</b>          | 4GB DDR3 (can up to 16GB) 1x SODIMM    |
| <b>Installed Memory:</b>        | 4GB DDR3                               |
| <b>Storage (HDD) Support:</b>   | -----                                  |
| <b>Installed Storage (HDD):</b> | 64 GB SSD                              |
| <b>IP Norm:</b>                 | -----                                  |
| <b>Temp:</b>                    | -20 60                                 |
| <b>Storage temperature:</b>     | -20 ~ 60                               |
| <b>Humidity:</b>                | 0 ~ 95%                                |
| <b>Others:</b>                  | Colour Black                           |
| <b>LAN:</b>                     | Intel RTL8111E 1000M Lan               |

|                             |   |
|-----------------------------|---|
| <b>Wireless LAN card:</b>   | Yes   |
| <b>3G:</b>                  | -----   |
| <b>Bluetooth:</b>           | -----   |
| <b>Rear Panel (ports):</b>  | DC-IN 12V, 1x HDMI, 1x VGA, 1x RJ-45 LAN, 1x COM(RS232), 1x Audio, 1x Mic, 4x USB 2.0 |
| <b>Front Panel (ports):</b> | 2x USB 2.0, Power ON/OFF  |
| <b>Expansion:</b>           | -----   |
| <b>Power:</b>               | 12V   |
| <b>Watch Dog Timer:</b>     | 0 ~ 255 sec   |
| <b>CD/DVD Drive:</b>        | -----   |
| <b>TV Tuner:</b>            | -----   |
| <b>Dimensions:</b>          | 234 x 204 x 54 mm   |
| <b>Fanless:</b>             | Yes   |
| <b>Weight:</b>              | 1.6 kg  |

**Product from the Archive - production finished**

**IBOX-J1900**



## Industrial Fanless

Fanless industrial PCs are excellent in environments dominated by dust, dirt and moisture. They are ideal for applications that require quiet operation. Small and reliable MiniPC use heat-pipe technology and aluminum fans for passive cooling.

**IBOX-J1900B** is a series of devices for industrial applications requiring continuous operation - 24 hours, 7 days a week.

[go top . . .](#)

Housing dimensions are **234 (W) x204 (L) x54 (H) mm**. Housing is made of high quality aluminum what ensures a very high resistance to mechanical damages. This model with weight of only **1.6 kg** is ready at any time for operation even in extreme conditions such as heat, cold, vibration.

Using the latest technology Digital Engine (industrial fanless MiniPC) is designed for continuous multitasking operating with low power consumption. An important advantage is the effective combination of small size with considerable opportunities through the use of Intel's processor family, Intel chipset and **DDR3** memory. Integrated **Intel HD Graphics** video and audio **Realtek ALC662** allow you to play a wide range of applications and media files (video, audio) - in Full HD quality. Disks offer free space from **64GB to 128GB SSD**.

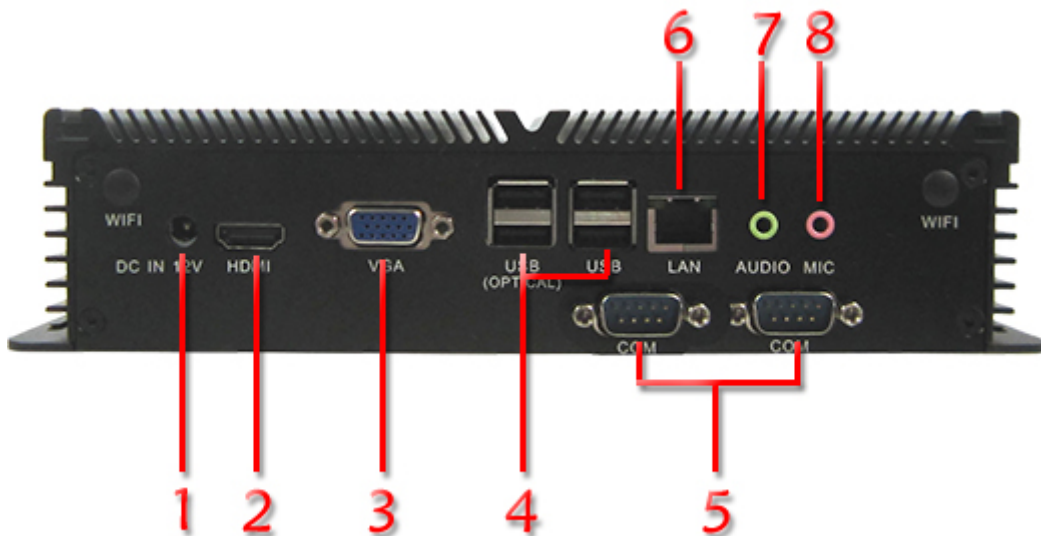


[go top . . .](#)

Integrated card - **Intel 1000M Lan RTL8111E** and **WiFi** module allows connection to the network. The computer is equipped with: one **LAN** port, two **COM(RS232)** port, one **HDMI** port, one **VGA** port, six **USB 2.0** ports, one way audio, one input mic and a built-in connector on the motherboard: one **PowerOUT** connector, one **S/PDIF** connector, one **LPT** port and one **Audio** connector.



1. 2x USB 2.0
2. Power ON



- |               |                  |
|---------------|------------------|
| 1. DC-IN 12V  | 5. 2x COM(RS232) |
| 2. 1x HDMI    | 6. 1x RJ-45      |
| 3. 1x VGA     | 7. 1x Audio      |
| 4. 4x USB 2.0 | 8. 1x Mic        |

# MiniPC

# IBOX-J1900

# Fanless

## Cooling

The industrial fanless MiniPC IBOX-J1900B uses a special method of cooling. This cooling takes place mainly by means of housing having a very large surface (longitudinal lamells, ribs) - for heat dissipation. Fan used inside the computer is designed to rapidly drain hot air from the CPU, allowing MiniPC to reach more efficiently and faster cooling.

[go top . . .](#)



Industrial MiniPC Series IBOX-J1900B are based on high-performance two-core processors and high-quality components. Mini computers are locked in small industrial housing which perfectly discharge heat from the device interior. Wide choice of IBOX models can give possibility to configure, enabling optimal selection of mini computer to multimedia applications and industrial applications. The biggest advantages of these devices are: small size, performance and energy efficiency. An extra pair of brackets at the bottom of the enclosure increases the possibility of installation in all kinds of places and positions. Offered model mini PC has been selectively chosen and configured specifically to the requirements of Digital Signage systems, gaming machines, amusement machines, information kiosks and industrial automation systems.



## Dual display



## Areas of use of industrial MiniPC

