



## Industrial Data Collector MobiPad Z3506CK NFC RFID 8 Mpx 1D v.4

|                          |   |
|--------------------------|---|
| <b>Category:</b>         | UMPC - Ruggedized                         |
| <b>Manufacturer:</b>     | Mobilator                                 |
| <b>Operating System:</b> | Android 5.1                               |
| <b>Display:</b>          | 3.5"(320x480) - capacitiveGorilla Glass   |
| <b>Brightness:</b>       | -----                                     |
| <b>Processor:</b>        | Qualcomm 8909 Cortex-A7  Quad-core 1.5GHZ |
| <b>Memory:</b>           | 1GB                                       |
| <b>Hard Drive:</b>       | -----                                     |
| <b>Flash Memory:</b>     | 8GB                                       |
| <b>Touch screen:</b>     | Yes                                       |
| <b>Durability:</b>       | IP65                                      |
| <b>Drop:</b>             | 1.2 meters                                |
| <b>Shock:</b>            | -----                                     |
| <b>Vibration:</b>        | -----                                     |

|  |  |
|--|--|
| <b>Temperature:</b>                                | Operating temperature: -15°C -- +60°C<br>Storage temperature: -20°C -- +70°C                                   |
| <b>Humidity:</b>                                   | 0 - 90% (no condensation)  |
| <b>1D barcode scanner (reader):</b>                | 1D Mindeo  |
| <b>2D barcode scanner (reader):</b>                | Optional   |
| <b>RFID scanner (reader):</b>                      | <b>NFC (13.56MHz) ISO 14443 A, ISO 14443 B, ISO 15693Mifare</b>  |
| <b>Other:</b>                                      | -----  |
| <b>Battery:</b>                                    | 3.7V 3100mAh Li-Ion  |
| <b>Working time on battery:</b>                    | >9 hours   |
| <b>Fast battery replacement ability:</b>           | No   |
| <b>HotSwap battery:</b>                            | -----  |
| <b>LAN:</b>  | No   |
| <b>WLAN:</b>                                       | 802.11 b/g   |
| <b>Bluetooth:</b>                                  | Bluetooth 4.0  |
| <b>WAN:</b>  | LTE-FDD B1 B3 B8 LTE-TDD B38 B39 B40 B41 WCDMA 2G/3G/4G Band1<br>Band8 TD-SCDMA Band34 Band39 CDMA BC0 DCS1800 |
| <b>GPS:</b>  | Built-in   |
| <b>Camera:</b>                                     | 8Mpx   |
| <b>In/Out:</b>                                     | 1 x microUSB 2.0, 1 x Micro SD(max.32GB), 1 x SIM, 1 x PSAM  |
| <b>Optional accessories:</b>                       | -----  |
| <b>Docking station connector:</b>                  | Yes  |
| <b>VESA standard – holders and mounts support:</b> | -----  |
| <b>COM port:</b>                                   | No   |
| <b>Magnetic card reader (MSR):</b>                 | -----  |
| <b>Microchip card reader:</b>                      | -----  |
| <b>Contrast:</b>                                   | -----  |
| <b>Graphics card:</b>                              | -----  |
| <b>Chipset:</b>                                    | -----  |

|  |  |
|--|--|
| <b>BIOS:</b>                           | -----                                      |
| <b>Casing material:</b>                | High quality plastic and rubber            |
| <b>Flash Card Reader:</b>              | MicroSD (max. 32GB)                        |
| <b>CD/DVD:</b>                         | -----                                      |
| <b>Audio:</b>                          | Built-in Speaker : Microphone              |
| <b>Keyboard:</b>                       | Alphanumeric (+ function keys) : On-screen |
| <b>Additional Navigation Devices :</b> | -----                                      |
| <b>Color:</b>                          | Black                                      |
| <b>Swivel Hinge:</b>                   | -----                                      |
| <b>VGA out:</b>                        | No   |
| <b>TV Out:</b>                         | -----                                      |
| <b>TV Tuner:</b>                       | -----                                      |
| <b>Security:</b>                       | IP65                                       |
| <b>Waterproof:</b>                     | IP65                                       |
| <b>Sand and dust:</b>                  | IP65                                       |
| <b>Size:</b>                           | 170 × 75 × 41mm- 272g                      |
| <b>Fanless casing:</b>                 | Yes  |

**Product from the Archive - production finished**



MobiPad Z3506CK has a specially designed, reinforced structure, adapted to harsh environmental conditions. Similarly, as the equipment produced for the military, meets the requirements of IP65 norm. Thanks to its structure is resistant to dust and water. The device is proper for use in the home and industry.



|                  |   |
|------------------|---|
| Processor(CPU)   | Qualcomm 8909 Cortex-A7   Quad-Core 1.5GHZ      |
| Display          | 4" (800*480)   IPS HD Color Touch Screen        |
| RAM(optional)    | 1GB   |
| ROM(optional)    | 8GB   |
| Connectors       | microUSB   Micro SD(max. 32GB)   SIM            |
| GPS              | Built-in GPS Support A-GPS(optional)            |
| Audio            | Speaker   Microphone                            |
| Camera(optional) | 8Mpx  |
| Battery          | 7.4V 3000mAh Li-Ion (Duration 7-8h)             |
| Keyboard         | Vitual qwerty keyboard and actual figure button |
| Environment      | Android 5.1 Lollipop                            |
| Modules          | 3G   WiFi   Bluetooth   GPS   NFC   Printer     |
| Dimensions       | 209mm*83mm*49mm   272g                          |
| Resistance       | IP65  |
| Readers          | 1D (Mindeo)                                     |
|                  | 2D (Newland EM3096) (Optional)                  |

## Select a version for each other

Select a version tailored to your needs. Clicking on the hardware number configurations will redirect you to the product with parameters listed below. At the customer's request can be created configurations which are not available in the offer. Detailed parameters are available in the **"Technical Data"**.

|                    | v.1 | v.2 | v.3 | v.4 | v.5 |
|--------------------|-----|-----|-----|-----|-----|
| Drukarka / Printer | +   | +   | +   | +   | +   |
| 1D Mindeo          | -   | +   | -   | +   | -   |
| 2D Newland EM-3096 | -   | -   | +   | -   | +   |
| 5 Mpx              | -   | +   | +   | -   | -   |
| 8 Mpx              | -   | -   | -   | +   | +   |

[go top...](#)



Warehouse inventory



Fruit store



Retailers super

Data collector ZKC PDA3506 can be used for projects like: supermarket cashless payment, inventory management and logistics tracking. Device will be also good option to business data management and other services.

Operating temperature: -15 ° C ~ 60 ° C

Operating Humidity: 0% ~ 90%



Clothing shop



Warehouse management



Library

[go top...](#)

# Barcode Scanner

Barcode Reader allows you to read, decode and transfer stored data in barcode to your computer. Thanks to dynamic scanning method and the large range of reading, data collector is capable to carefully collecting data, which helps to increase the rate and efficiency of work. Simplified installation procedure, convenient and intuitive design allow to start scanner work very easy and quickly.



# Near Field Communication (NFC)

Its a set of ideas and technology that enables smartphones and other devices to establish radio communication with each other by touching the devices together or bringing them into proximity to a distance of typically 10 cm or less. NFC devices are used in contactless payment systems, similar to those used in credit cards and electronic ticket smartcards and allow mobile payment to replace/supplement these systems. NFC is used for social networking, for sharing contacts, photos, videos or files.

|                         | RFID (HF) NFC     |
|-------------------------|-------------------|
| Frequency               | 13.56 MHz         |
| Reading distance        | od 1 do 5 cm      |
| Supported card standard | Mifare Write/Read |
| Supported standards     | ISO 14443 A/B     |
|                         | ISO 15693         |

[go top...](#)

## Applicable standards

|           |                              |
|-----------|------------------------------|
| Operating | -15°C -- +60°C               |
| Storage   | -20°C -- +70°C               |
| Humidity  | 0% - 90% RH   non-condensing |
| Dust      | IP6x (dust)                  |
| Water     | IPx5 (water)                 |
| Drop      | 1.2m                         |



## IP65 Resistance

IP stands for Ingress Protection and is essentially a rating system developed by the International Electrotechnical Commission or IEC. This system is now being used to classify different degrees of protection against intrusion or immersion. The IP rating is usually followed by two digits. The first indicates the level of dust-resistance, the second water resistance. Dust-resistance levels goes from 0 up to 6 and water resistance goes from 0 to 8.

No special protection

0



0

No waterproofing

New Portable Devices | NIP: 872-120-56-82 | Mobile.: +48 508 235 505 | e-mail: sklep@mobilator.pl

Account number: ALIOR BANK SA 68 2490 0005 0000 4500 2328 8078

Protection from solid objects greater than 50mm in diameter

1



1

Protection from dripping water





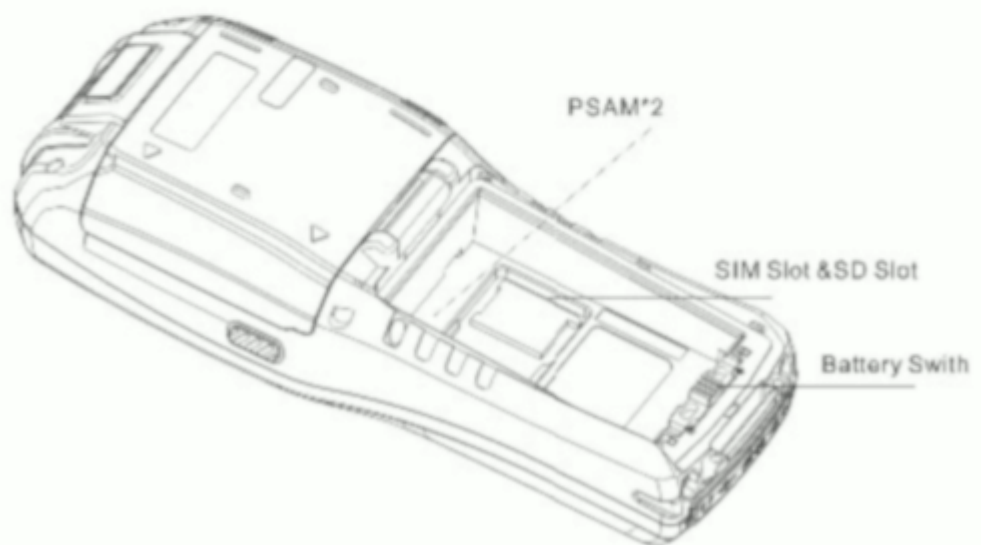
When device is equipped with the **WCDMA** module, you need only insert a SIM card in the special slot and you are able instantly connect to the internet. Integrated software allows you to automatically detect and configure connections to mobile networks. Internal **4G** module allows you to use the device as a mobile phone. Mobilator Z3506CK NFC devices are used in contactless payment systems, similar to those used in credit cards and electronic tickets, and allow mobile payment to replace/supplement these systems. NFC is used for social networking, for sharing contacts, photos, videos, etc.

|                        |                         |
|------------------------|-------------------------|
| <b>WiFi</b>            | 802.11 b/g              |
| <b>GPS</b>             | Yes                     |
| <b>Bluetooth</b>       | Bluetooth v 4.0         |
| <b>WWLAN(4G/3G/2G)</b> | LTE-FDD B1 B3 B8        |
|                        | LTE-TDD B38 B39 B40 B41 |
|                        | WCDMA Band1 Band8       |
|                        | TD-SCDMA Band34 Band39  |
|                        | CDMA BC0                |
|                        | DCS1800                 |
|                        | EGSM900                 |





# Style



dimensions

209 × 83 × 49mm

Weight

510g



[go top...](#)

[more photos in the "Photo Gallery" ...](#)

[specification](#) of this version is available in the "Technical data" ...