



Minimaker BBPC-K01 v.2 - Reinforced mini industrial computer with two LAN ports and RS232 COM serial ports



<b>Category:</b>	MiniPC Industry
<b>Manufacturer:</b>	Mobilator
<b>Supported OS:</b>	Microsoft Windows: 7/8/10, Linux
<b>Installed OS:</b>	Linux Ubuntu
<b>Chipset:</b>	Intel Bay trail
<b>CPU Support:</b>	Intel Celeron
<b>Installed CPU:</b>	Intel® Celeron QuadCore J1900, 2.0 GHz
<b>Graphic Card:</b>	Intel HD Graphics
<b>Memory Support:</b>	4GB DDR3L 1*SODimm (MAX 8GB)
<b>Installed Memory:</b>	4GB
<b>Storage (HDD) Support:</b>	SSD / HDDmSATA / SATA
<b>Installed Storage (HDD):</b>	64GB SSD
<b>IP Norm:</b>	-----
<b>Temp:</b>	-10°C — 50°C
<b>Storage temperature:</b>	-20°C — 60°C
<b>Humidity:</b>	10% ~ 90%
<b>Others:</b>	Color Silver
<b>LAN:</b>	2x LAN 1000Mbit
<b>Wireless LAN card:</b>	Option

<b>3G:</b>	-----
<b>Bluetooth:</b>	Option
<b>Rear Panel (ports):</b>	4x COM4x USB 2.0
<b>Front Panel (ports):</b>	Power On/Off2x USB 2x LANHDMIVGAudioMicDC IN 12 V
<b>Expansion:</b>	-----
<b>Power:</b>	12V5A
<b>Watch Dog Timer:</b>	Yes
<b>CD/DVD Drive:</b>	-----
<b>TV Tuner:</b>	-----
<b>Dimensions:</b>	322mm x 210mm x 36.2mm
<b>Fanless:</b>	Yes
<b>Weight:</b>	2.200g

**Product from the Archive - production finished**



## TECHNICAL SPECIFICATION

## RESISTANCE AND DURABILITY

## CONNECTIVITY AND COMMUNICATION

### DEVICE APPLICATION

### AVAILABLE VERSIONS

Small dimensions industrial computers excel in environments where dust, dirt and moisture predominate. They are ideal for applications requiring quiet operation. Small and reliable MiniPC use heat-pipe technology and aluminum fins for passive cooling. The robust mini Industrial Computer Minimaker BBPC-K01 is a device designed for all industrial and non-continuous applications requiring continuous operation - 24 hours, 7 days a week.



#### Small dimensions

The compact housing means that the Mini PC will fit wherever you need it and is easy to carry.



#### Lightweight design

The computer's weight does not exceed 2.2 kg, so it can be conveniently carried in a bag or backpack.



#### Efficient components

The Intel Celeron J1900 quad-core CPU provides improved device performance.



#### Wireless network\*

The mini PC can be connected to nearby wireless networks by equipping it with an optional Wi-Fi module.

## SSD

### Quick start

A modern SSD drive will increase the speed of application programs and ensure quiet computer operation.



### Passive cooling

The use of passive cooling in the Mini PC ensures silent operation and slows dust deposition.

\* Optional equipment, available only in other versions of the device.

[go](#)

# SPECIFICATION

## Performance

Processor	Intel Celeron QuadCore J1900 (2,0GHz)
Graphics card	Intel HD Graphics
Operating system	Linux Ubuntu
RAM	4GB DDR3L SODimm

Performance	
Drive	64GB SSD
Interfaces	
Connectivity	Wi-Fi * LAN - 10/100/1000 Mbps
Front panel	Power On/Off / 2x USB 2.0 / 2x Lan / HDMI / VGA / Audio / Mic / DC IN 12 V / 2x COM
Rear panel	4x COM /4x USB 2.0
Other	
Available colors	Silver
Dimensions	322mm x 210mm x 36.2mm
Weight	2.20 kg

\* Optional equipment, available only in other versions of the device.

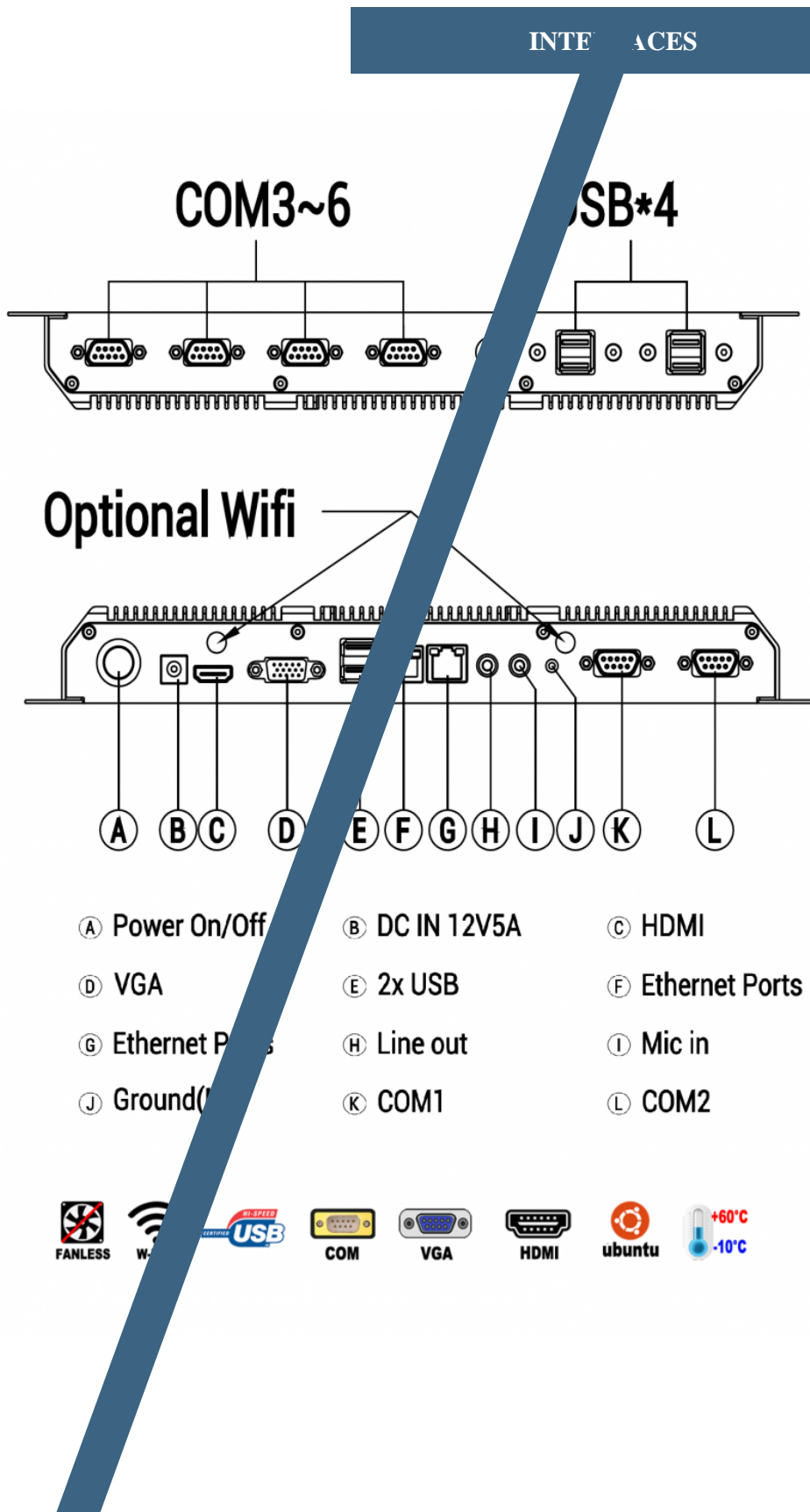


Detailed device specification is available in the "Technical data" tab.

## EFFICIENT PROCESSOR

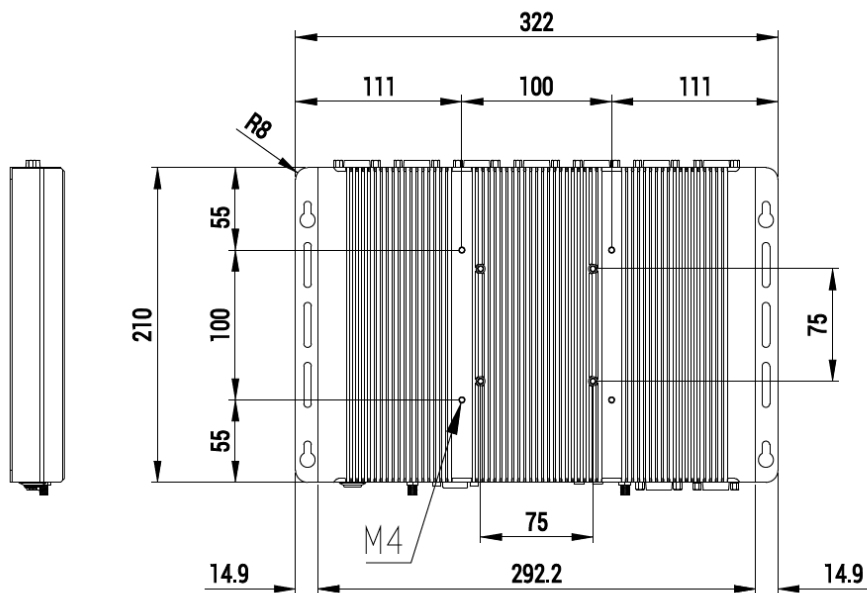
The industrial mini-computer Minimaker BBPC-K01 uses an efficient and energy-saving Intel Intel Celeron J1900 processor. Inside it there are four cooperating cores enabling more efficient processing of many tasks at the same time. The shared cache memory in which the multilevel hierarchy is used is dynamically

allocated to each processor core depending on the load. This reduces the average access time to the main memory.





## DIMENSIONS



## PASSIVE COOLING

The industrial Mini PC uses a proven cooling system, based only on solid elements, mainly heat sinks. The system uses the phenomenon of metals passing thermal energy into the environment - there are no additional moving elements in the form of eg fans. This solution ensures noiseless operation, lower failure rate and greater protection against dust and other dirt while reducing the amount of energy consumed.



### ACTIVE COOLING (OPTION)

In the industrial Mini PC it is possible to purchase additional active cooling. Active cooling enables a much faster reduction of temperatures to lower values than in the case of passive cooling.



[go up...](#)

## TEMPERATURES

Minimaker BBPC-K01 is designed for continuous operation in both very low and high temperatures ranging from -10 ° C to 50 ° C. If the device is switched off, it can already handle temperatures in the range of -20 ° C to 60 ° C.

Work temp.	-10°C — 50°C
Storage temp.	-20°C — 60°C
Humidity	10% — 90%

## MECHANICAL DAMAGE

The passive cooling system used in the Minimaker BBPC-K01 combined with the non-disk SSD make this computer very resistant to various types of mechanical injuries. An additional advantage of industrial computers is a solid construction made of high quality aluminum and specially designed in such a way that in addition to high efficiency in heat dissipation, it can also resist any external damage.

[go up...](#)

## WIRELESS NETWORK (OPTIONAL)

The dual-band Wi-Fi module provides quick access to the network wherever you can connect to secured or open Wi-Fi networks. This is a convenient solution for people who have a router at home or place of residence and a wireless network that can be used at no extra charge. Industrial Minimaker BBPC-K01 has been equipped with the standard of 802.11n, which allows transfer of files at a dizzying speed of up to 300 Mb / s.



## WIRED LAN NETWORK

The Minimaker BBPC-K01 has built-in one Intel network adapter that can work in a fast Gigabit Ethernet network.

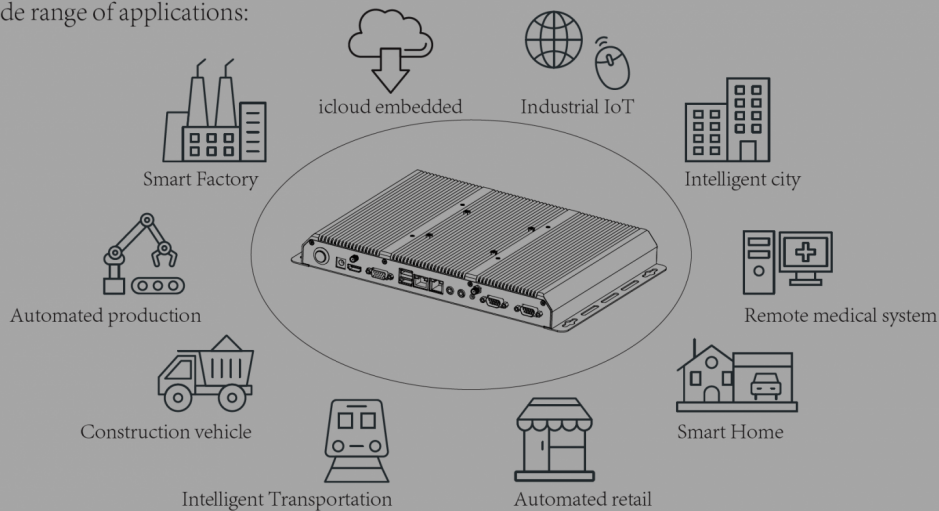


[go up...](#)

# APPLICATIONS

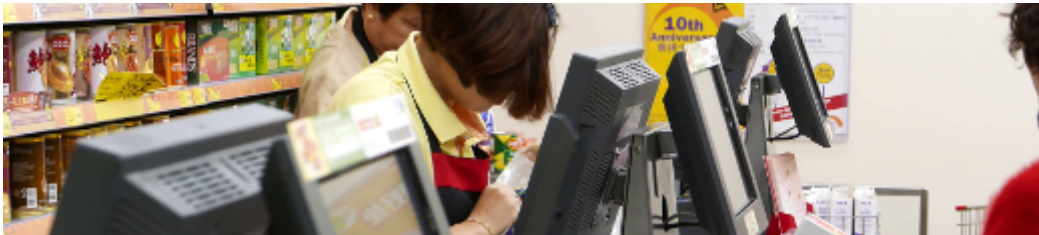
## TRADE AND SERVICES

Wide range of applications:



Mini PC is an ideal tool to support us in the implementation of many activities in the field of trade, small dimensions increase the possibility of its adaptation to activities such as issuing invoices or preparing documentation, which in turn

allows us to convenient and optimal sales management. The VESA holder mounted to the housing provides many installation options, eg in stores (at the cash register, under the desktop, behind the LCD / LED monitor), in factory halls or in a delivery truck.



## WAREHOUSE AND LOGISTICS

Thanks high performance an industrial computer can be used to connect multiple devices in a warehouse and make their management much easier. Its rugged casing and the fanless cooling system are ideal for harsh environments in such rooms. The solid construction guarantees long-lasting work, even in environments with high dustiness and dirt.



## TRANSPORT AND MOTORIZATION

A small industrial computer can be used in transport thanks to the ability to work on 12V power supply. Then the mini computer can be used in passenger cars, buses, trams, taxis, trains and even in airplanes. It allows you to inform the driver about the current state of the vehicle, transfer its current location to the management center, display information for passengers, etc. It performs well in vehicles where small dimensions are important.



More pictures of the device available in the "Gallery" tab.

[go up...](#)

# VERSIONS



The industrial mini-computer Minimaker BBPC-K01 is offered in several versions to suit different needs. By clicking on the number of the hardware configuration you will be redirected to the product with the parameters given in the table below. In addition, it is possible to create a configuration that is currently unavailable on the customer's request.

	v.1	v.2	v.3	v.4	v.5	v.6	v.7	v.8
Wifi + Bluetooth	—	—						
32GB SSD		—	—	—	—	—	—	—
64GB SSD	—		—	—	—	—	—	—
128GB SSD	—	—			—	—	—	—
256GB SSD	—	—	—	—		—	—	—
500GB HDD	—	—	—	—	—		—	—
1TB HDD	—	—	—	—	—	—		—
2TB HDD	—	—	—	—	—	—	—	
4GB RAM				—	—		—	—
8GB RAM	—	—	—			—		