



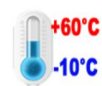
Minimaker OPCO-01Y v.4 - Modern reinforced mini industrial computer
Wifi+Bluetooth, 2x LAN and 6x COM RS232



Category:	MiniPC Industry
Manufacturer:	Mobikator
Supported OS:	Microsoft Windows: 7/8/10, Linux
Installed OS:	Linux Ubuntu
Chipset:	Intel Bay trail
CPU Support:	Intel Celeron
Installed CPU:	Intel® Celeron Dual Core J1800 2.4 GHz
Graphic Card:	Intel HD Graphics
Memory Support:	1xDDR3L SODimm (MAX 8GB)
Installed Memory:	4GB
Storage (HDD) Support:	SSD / HDDmSATA / SATA
Installed Storage (HDD):	256GB SSD
IP Norm:	-----
Temp:	-10°C — 50°C
Storage temperature:	-20°C — 60°C

Humidity:	10% ~ 90%
Others:	Color Silver
LAN:	2x LAN 1000Mbit
Wireless LAN card:	Yes
3G:	-----
Bluetooth:	Yes
Rear Panel (ports):	4x COM4x USB 2.0
Front Panel (ports):	Power On/Off2x USB 2x LANHDMI VGA Audio Mic DC IN 12 V
Expansion:	-----
Power:	12V5A
Watch Dog Timer:	Yes
CD/DVD Drive:	-----
TV Tuner:	-----
Dimensions:	322mm x 210mm x 36.2mm
Fanless:	Yes
Weight:	2.200g

Product from the Archive - production finished



TECHNICAL SPECIFICATION

RESISTANCE AND DURABILITY

CONNECTIVITY AND COMMUNICATION

DEVICE APPLICATION

AVAILABLE VERSIONS

Small dimensions industrial computers excel in environments where dust, dirt and moisture predominate. They are ideal for applications requiring quiet operation. Small and reliable MiniPC use heat-pipe technology and aluminum fins for passive cooling. The robust mini Industrial Computer Minimizer OPCO-01Y is a device designed for all industrial and non-continuous applications requiring continuous operation - 24 hours, 7 days a week.



Small dimensions



Lightweight design

The compact housing means that the Mini PC will fit wherever you need it and is easy to carry.

The computer's weight does not exceed 2.2 kg, so it can be conveniently carried in a bag or backpack.



Efficient components

The Intel Celeron J1800 dual-core CPU provides improved device performance.



Wireless network

The mini PC can be connected to nearby wireless networks by equipping it with an optional Wi-Fi module.



Quick start

A modern SSD drive will increase the speed of application programs and ensure quiet computer operation.



Passive cooling

The use of passive cooling in the Mini PC ensures silent operation and slows dust deposition.

* Optional equipment, available only in other versions of the device.

go

SPECIFICATION

Performance

Processor	Intel Celeron Dual Core J1800 (2,4GHz)
Graphics card	Intel HD Graphics
Operating system	Linux Ubuntu
RAM	4GB DDR3L SODimm
Drive	256GB SSD

Interfaces

Connectivity	Wi-Fi Bluetooth LAN - 10/100/1000 Mbps
Front panel	Power On/Off / 2x USB 2.0 / 2x Lan / HDMI / VGA / Audio / Mic / DC IN 12 V / 2x COM
Rear panel	4x COM /4x USB 2.0

Other

Available colors	Silver
------------------	--------

Other	
Dimensions	322mm x 210mm x 36.2mm
Weight	2.20 kg

* Optional equipment, available only in other versions of the device.

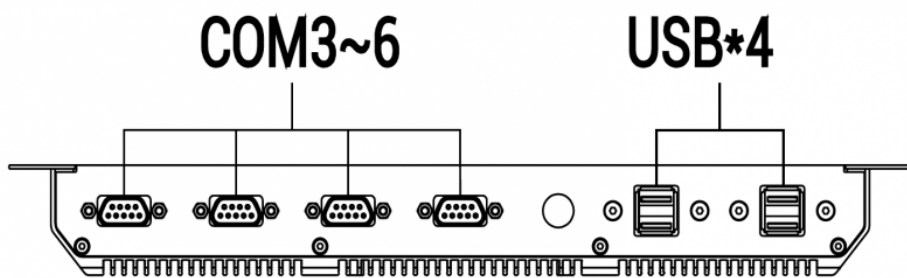


Detailed device specification is available in the "Technical data" tab.

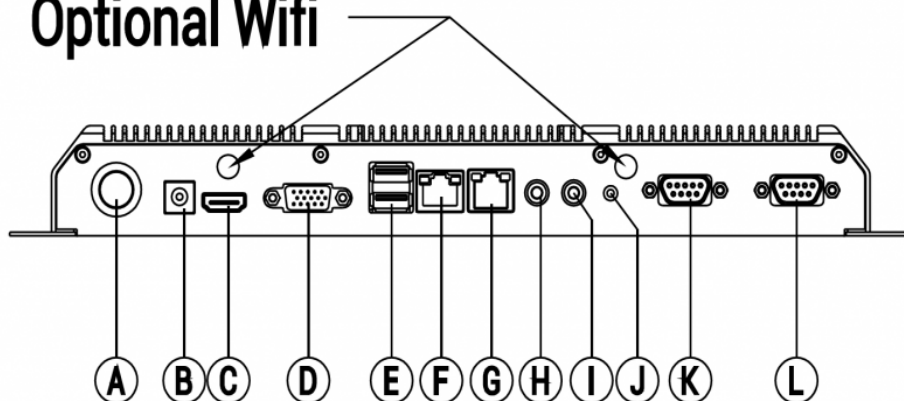
EFFICIENT PROCESSOR

The industrial mini-computer Minimaker OPCO-01Y uses an efficient and energy-saving Intel Celeron J1800 processor. Inside it there are two cooperating cores enabling more efficient processing of many tasks at the same time. The shared cache memory in which the multilevel hierarchy is used is dynamically allocated to each processor core depending on the load. This reduces the average access time to the main memory.

INTERFACES



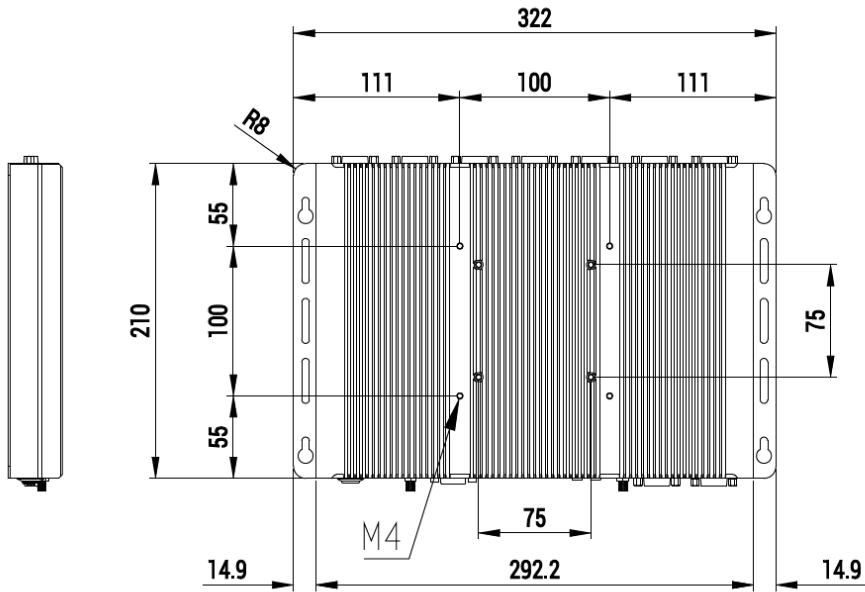
Optional Wifi



- | | | |
|------------------|---------------|------------------|
| Ⓐ Power On/Off | Ⓑ DC IN 12V5A | Ⓒ HDMI |
| Ⓓ VGA | Ⓔ 2x USB | Ⓕ Ethernet Ports |
| Ⓖ Ethernet Ports | Ⓗ Line out | Ⓖ Mic in |
| Ⓙ Ground(M3) | Ⓚ COM1 | Ⓛ COM2 |



DIMENSIONS



PASSIVE COOLING

The industrial Mini PC uses a proven cooling system, based only on solid elements, mainly heat sinks. The system uses the phenomenon of metals passing thermal energy into the environment - there are no additional moving elements in the form of eg fans. This solution ensures noiseless operation, lower failure rate and greater protection against dust and other dirt while reducing the amount of energy consumed.



ACTIVE COOLING (OPTION)

In the industrial Mini PC it is possible to purchase additional active cooling. Active cooling enables a much faster reduction of temperatures to lower values than in the case of passive cooling.



[go up...](#)

TEMPERATURES

Minimaker OPCO-01Y is designed for continuous operation in both very low and high temperatures ranging from -10 ° C to 50 ° C. If the device is switched off, it can already handle temperatures in the range of -20 ° C to 60 ° C.

Work temp.	-10°C — 50°C
Storage temp.	-20°C — 60°C
Humidity	10% — 90%

MECHANICAL DAMAGE

The passive cooling system used in the Minimaker OPCO-01Y combined with the non-disk SSD make this computer very resistant to various types of mechanical injuries. An additional advantage of industrial computers is a solid construction made of high quality aluminum and specially designed in such a way that in addition to high efficiency in heat dissipation, it can also resist any external damage.

[go up...](#)

WIRELESS NETWORK

The dual-band Wi-Fi+Bluetooth module provides quick access to the network wherever you can connect to secured or open Wi-Fi networks. This is a convenient solution for people who have a router at home or place of residence and a wireless network that can be used at no extra charge. Industrial Minimaker OPCO-01Y has been equipped the standard of - 802.11n, which allows transfer of files at a dizzying speed of up to 300 Mb / s.



WIRED LAN NETWORK

The Minimaker OPCO-01Y has built-in one Intel network adapter that can work in a fast Gigabit Ethernet network.

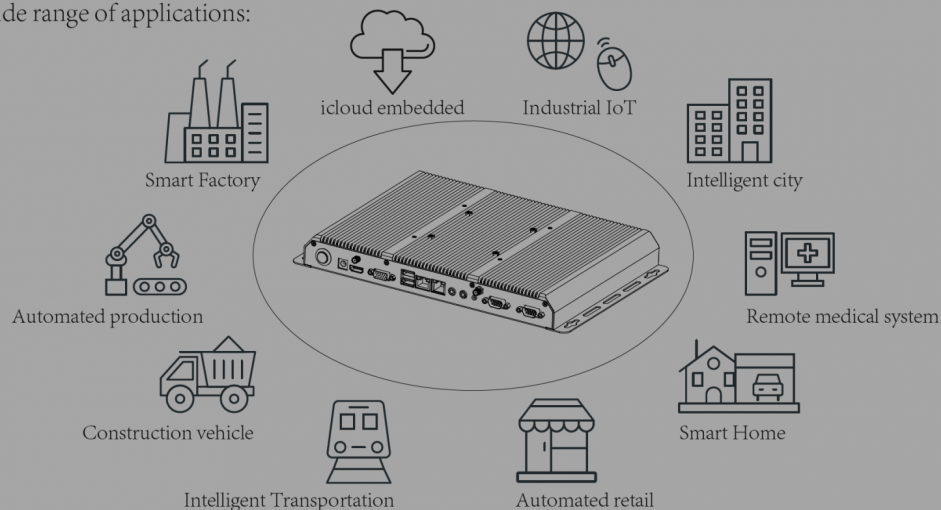


[go up...](#)

APPLICATIONS

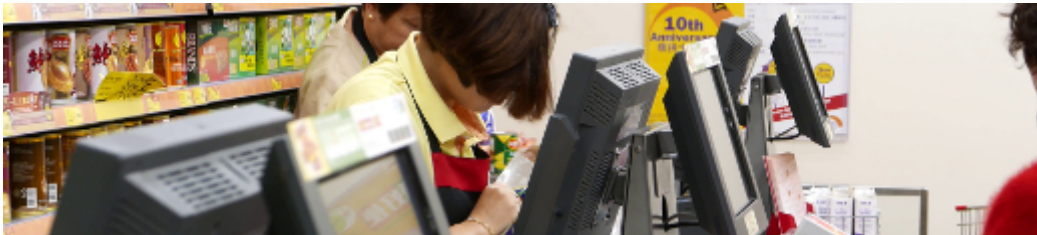
TRADE AND SERVICES

Wide range of applications:



Mini PC is an ideal tool to support us in the implementation of many activities in the field of trade, small dimensions increase the possibility of its adaptation to activities such as issuing invoices or preparing documentation, which in turn

allows us to convenient and optimal sales management. The VESA holder mounted to the housing provides many installation options, eg in stores (at the cash register, under the desktop, behind the LCD / LED monitor), in factory halls or in a delivery truck.



WAREHOUSE AND LOGISTICS

Thanks high performance an industrial computer can be used to connect multiple devices in a warehouse and make their management much easier. Its rugged casing and the fanless cooling system are ideal for harsh environments in such rooms. The solid construction guarantees long-lasting work, even in environments with high dustiness and dirt.



TRANSPORT AND MOTORIZATION

A small industrial computer can be used in transport thanks to the ability to work on 12V power supply. Then the mini computer can be used in passenger cars, buses, trams, taxis, trains and even in airplanes. It allows you to inform the driver about the current state of the vehicle, transfer its current location to the management center, display information for passengers, etc. It performs well in vehicles where small dimensions are important.



More pictures of the device available in the "Gallery" tab.

[go up...](#)

VERSIONS



The industrial mini-computer Minimaker OPCO-01Y is offered in several versions to suit different needs. By clicking on the number of the hardware configuration you will be redirected to the product with the parameters given in the table below. In addition, it is possible to create a configuration that is currently unavailable on the customer's request.

	v.1	v.2	v.3	v.4	v.5	v.6	v.7
Wifi + Bluetooth	—	—					
32GB SSD		—	—	—	—	—	—
64GB SSD	—		—	—	—	—	—
128GB SSD	—	—		—	—	—	—
256GB SSD	—	—	—		—	—	—
500GB HDD	—	—	—	—		—	—
1TB HDD	—	—	—	—	—		—
2TB HDD	—	—	—	—	—	—	