



MiniPC Industrial Fanless MBOX K802 v.2

Category:	MiniPC Industry
Manufacturer:	HAXUN
Supported OS:	Microsoft Windows: XP/Vista/7 , Linux
Installed OS:	-----
Chipset:	Intel NM70
CPU Support:	-----
Installed CPU:	Intel Atom N2800 (2x1.8GHz)
Graphic Card:	Intel GMA 3650
Memory Support:	2GB DDR3 (can up to 8GB)
Installed Memory:	2GB DDR3
Storage (HDD) Support:	-----
Installed Storage (HDD):	16GB SSD
IP Norm:	-----
Temp:	-10°C - 60°C
Storage temperature:	-20°C ~ 80°C
Humidity:	10% to 93%
Others:	Colour Black, Aluminum
LAN:	Intel RTL8111E 100M Lan
Wireless LAN card:	Yes
3G:	No

Bluetooth:	No
Rear Panel (ports):	4x USB 2.0,1x Audio,2x RJ-45, DC-in Jack, 1x HDMI,1x Mic,2x COM(RS232),1x VGA
Front Panel (ports):	Power ON/OFF
Expansion:	-----
Power:	12V
Watch Dog Timer:	0~255 sec
CD/DVD Drive:	-----
TV Tuner:	-----
Dimensions:	176 x 110 x59 mm
Fanless:	Yes
Weight:	2.4 kg

Product from the Archive - production finished



Industrial Fanless

Fanless industrial PCs are excellent in environments dominated by dust, dirt and moisture. They are ideal for applications that require quiet operation. Small and reliable MiniPC use heat-pipe technology and aluminum fans for passive cooling.

MBOX K802 is a series of devices for industrial applications requiring continuous operation - 24 hours, 7 days a week.

[go top . . .](#)

Housing dimension are **176 (W) x110 (L) x59 (H) mm**. Housing is made of high quality aluminum what ensures a very high resistance to mechanical damages. This model with weight of only **2.4 kg** is ready at any time for operation even in extreme conditions such as heat, cold, vibration.

Using the latest technology Digital Engine (industrial fanless MiniPC) is designed for continuous multitasking operating with low power consumption. An important advantage is the effective combination of small size with considerable opportunities through the use of Intel's processor family, Intel chipset and **DDR3** memory. Integrated **Intel GMA 3650** video and audio **Realtek ALC662** allow you to play a wide range of applications and media files (video, audio) - in Full HD quality. Disks offer free space **500GB HDD/16GB SSD/64GB SSD**.



[go top . . .](#)

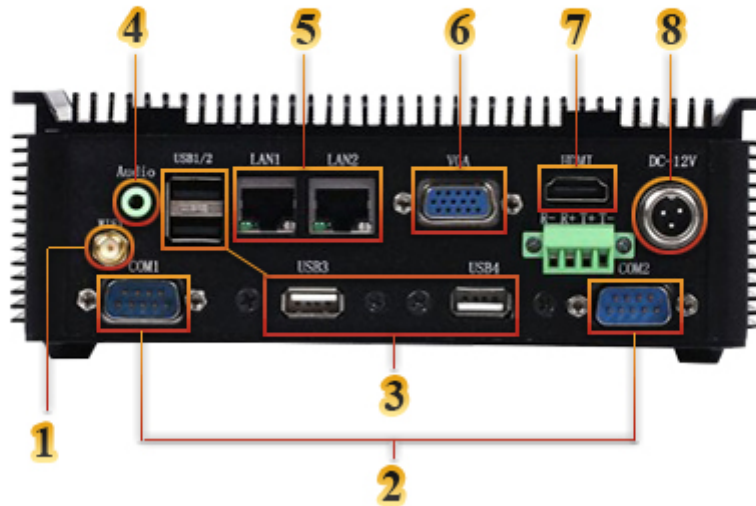
Integrated card - **Intel RTL8111E 100M** and **WiFi** module allow connection to the network. The computer is equipped with: two **LAN** ports, two **COM ports (RS232)**, one **VGA** output, four **USB 2.0** ports, one **HDMI** output one way audio, one microphone input.

Front panel:



1. Power ON/OFF

Rear panel:



- | | |
|------------------|--------------|
| 1. 1x WiFi | 5. 2x RJ-45 |
| 2. 2x COM(RS232) | 6. 1x VGA |
| 3. 4x USB 2.0 | 7. 1x HDMI |
| 4. 1x Audio | 8. DC-IN 12V |



mobilator.pl

Cooling

The industrial fanless MiniPC MBOX-K802 uses a special method of cooling. This cooling takes place mainly by means of housing having a very large surface (longitudinal lamells, ribs) - for heat dissipation.

[go top...](#)

Trade

Small, fanless computer can find various of commercial applications such as computer system for sale, for display informations about the products on monitors or ads on the big screens. With the help of handles combined with the housing there are many mounting possibilities - such as: in shops (at the cash register, at the back of monitors for LCD / LED),



in factories halls, in the cars which are used for distribute different kind of products, etc. will certainly find application in all kinds of networks trade.

New Portable Devices | NIP: 872-120-56-82 | Mobile: +48 508 235 505 | e-mail: sklep@mobilator.pl

Account number: ALIOR BANK SA 68 2490 0005 0000 4500 2328 8078

