



## MiniPC Industrial Fanless MBOX-K900-Celeron v.3



<b>Category:</b>	MiniPC Industry
<b>Manufacturer:</b>	HAXUN
<b>Supported OS:</b>	Microsoft Windows: XP/Vista/7 , Linux
<b>Installed OS:</b>	-----
<b>Chipset:</b>	Intel NM70
<b>CPU Support:</b>	-----
<b>Installed CPU:</b>	Intel Celeron 1037U (2x1.8GHz)
<b>Graphic Card:</b>	Intel GMA 3650
<b>Memory Support:</b>	2GB DDR3 (can up to 8GB)
<b>Installed Memory:</b>	4GB DDR3
<b>Storage (HDD) Support:</b>	-----
<b>Installed Storage (HDD):</b>	500GB HDD
<b>IP Norm:</b>	-----
<b>Temp:</b>	-10°C - 60°C
<b>Storage temperature:</b>	-20°C ~ 80°C
<b>Humidity:</b>	10% to 93%
<b>Others:</b>	Colour Black, Aluminum
<b>LAN:</b>	Intel RTL8111E 100M Lan
<b>Wireless LAN card:</b>	No
<b>3G:</b>	Yes

<b>Bluetooth:</b>	Yes
<b>Rear Panel (ports):</b>	4x USB 2.0,1x Audio,1x RJ-45, DC-in Jack, 1x HDMI,1x Mic,5x COM(RS232),1x VGA
<b>Front Panel (ports):</b>	Power ON/OFF
<b>Expansion:</b>	-----
<b>Power:</b>	12V
<b>Watch Dog Timer:</b>	0~255 sec
<b>CD/DVD Drive:</b>	-----
<b>TV Tuner:</b>	-----
<b>Dimensions:</b>	210 x 188 x 50 mm
<b>Fanless:</b>	Yes
<b>Weight:</b>	2.4 kg

**Product from the Archive - production finished**



## Industrial Fanless

Fanless industrial PCs are excellent in environments dominated by dust, dirt and moisture. They are ideal for applications that require quiet operation. Small and reliable MiniPC use of heat-pipe technology and aluminum fans for passive cooling.

**MBOX-K900-Celeron** is a series of devices for industrial applications requiring continuous operation - 24 hours, 7 days a week.

[go top . . .](#)

Housing dimension are **210 (W) x188 (L) x50 (H) mm**. Housing is made of high quality aluminum what ensures a very high resistance to mechanical damages. This model with weight of only **2.4 kg** is ready at any time for operation even in extreme conditions such as heat, cold, vibration.

Using the latest technology Digital Engine (industrial fanless MiniPC) is designed for continuous multitasking operating with low power consumption. An important advantage is the effective combination of small size with considerable opportunities through the use of Intel's processor family, Intel chipset and **DDR3** memory. Integrated **Intel GMA 3650** video and audio **Realtek ALC662** allow you to play a wide range of applications and media files (video, audio) - in Full HD quality. Disks offer free space **500GB HDD/16GB SSD/64GB SSD**.



[go top . . .](#)

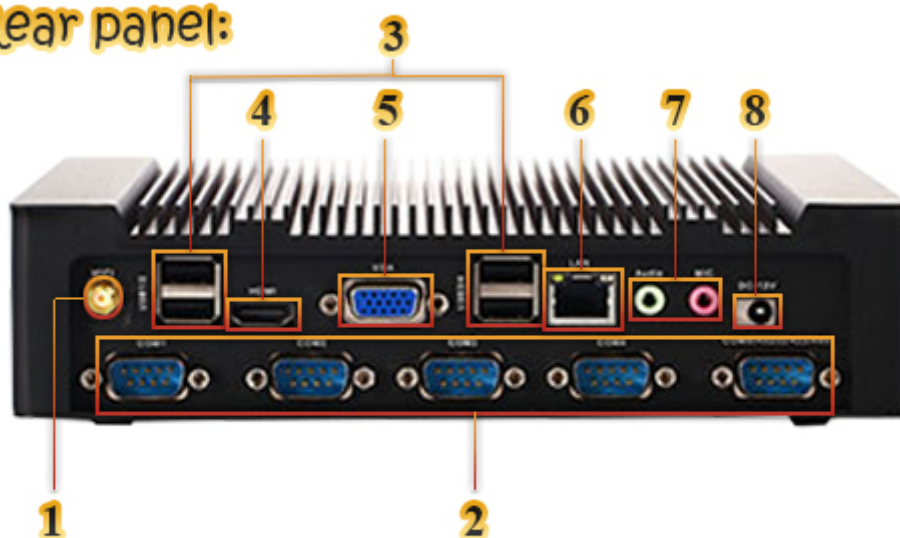
Integrated card - **Intel RTL8111E 100M** and **3G** module allow connection to the network. The computer is equipped with: one **LAN** port, five **COM ports (RS232)**, one **VGA** output, four **USB 2.0** ports, one **HDMI** output one way audio, one microphone input.

## Front panel:



1. Power ON/OFF

## Rear panel:



1. 1x WiFi

2. 5x COM(RS232)

3. 4x USB 2.0

4. 1x HDMI

5. 1x VGA

6. 1x RJ-45

7. Audio/Mic

8. DC-IN 12V



## Cooling

The industrial fanless MiniPC MBOX-K900-Celeron uses a special method of cooling. This cooling takes place mainly by means of housing having a very large surface (longitudinal lamells, ribs) - for heat dissipation.

[go top . . .](#)



## Trade

Small, fanless computer can find various of commercial applications such as computer system for sale, for display informations about the products on monitors or ads on the big screens. With the help of handles combined with the housing there are many mounting possibilities - such as: in shops (at the cash register, at the back of monitors for LCD / LED), in factories halls, in the cars which are used for distribute different kind of products, etc., will certainly find application in all kinds of networks trade.



## Magazine

New Portable Devices | NIP: 872-120-56-82 | Mobile : +48 508 235 505 | e-mail: sklep@mobikator.pl

Industrial fanless Mini PC MBOX-K900-Celeron by to five COM port (RS232) can be used to

connect multiple devices in the store or warehouse and make them easier to control. Its

durable housing is perfectly designed for the harsh conditions prevailing in these areas

