



MobiPad nBOX MK12F-V2-I5 v.6.1 -
Powerful Intel Core i5-1240P processor in
a mini industrial desktop computer, 16GB
RAM, 512GB SSD, WiFi 6E, Windows 11 Pro



Category:	MiniPC Industry
Manufacturer:	Mobilator
Supported OS:	Windows 11, Windows 10, Linux
Installed OS:	Windows 11 PRO
Chipset:	Intel Alder Lake-P
CPU Support:	12th and 13th generation Intel Core
Installed CPU:	Intel Core i5-1240P
Graphic Card:	Intel Iris Xe Graphics
Memory Support:	DDR4
Installed Memory:	16GB RAM
Storage (HDD) Support:	SSD M.2 - NVMe
Installed Storage (HDD):	512GB SSD M.2 - NVME
IP Norm:	None
Temp:	-20°C ~ +55°C
Storage temperature:	-20°C ~ +70°C
Humidity:	5% - 95%
Others:	Color black
LAN:	2x RJ45 2.5Gbe LAN (Intel I225-V/I226-V chip)
Wireless LAN card:	WiFi 6E

3G:	No
4G LTE:	optional
Bluetooth:	Yes
Rear Panel (ports):	3× HDMI 2.0b 1× DisplayPort 1.4a 2× LAN 2.5G 2× COM (RS232/RS485) 2× USB 2.0 Phoenix connector DC-IN
Front Panel (ports):	USB-C 3.0 4× USB 3.0 2× USB 2.0 MIC IN Line-out Power + LED
Expansion:	Adapter HDMI cable VESA mount WiFi Antenna
Power:	100-240V AC - 19V DC / 3.7A
Watch Dog Timer:	Yes
CD/DVD Drive:	None
TV Tuner:	No
Dimensions:	186 x 128 x 67 mm
Fanless:	Yes
Weight:	1,63kg

3 805,31 zł

net price: 3 093,75 zł

MobiPad nBOX MK12F-V2-I5



SPECIFICATION

CONNECTIVITY AND COMMUNICATION

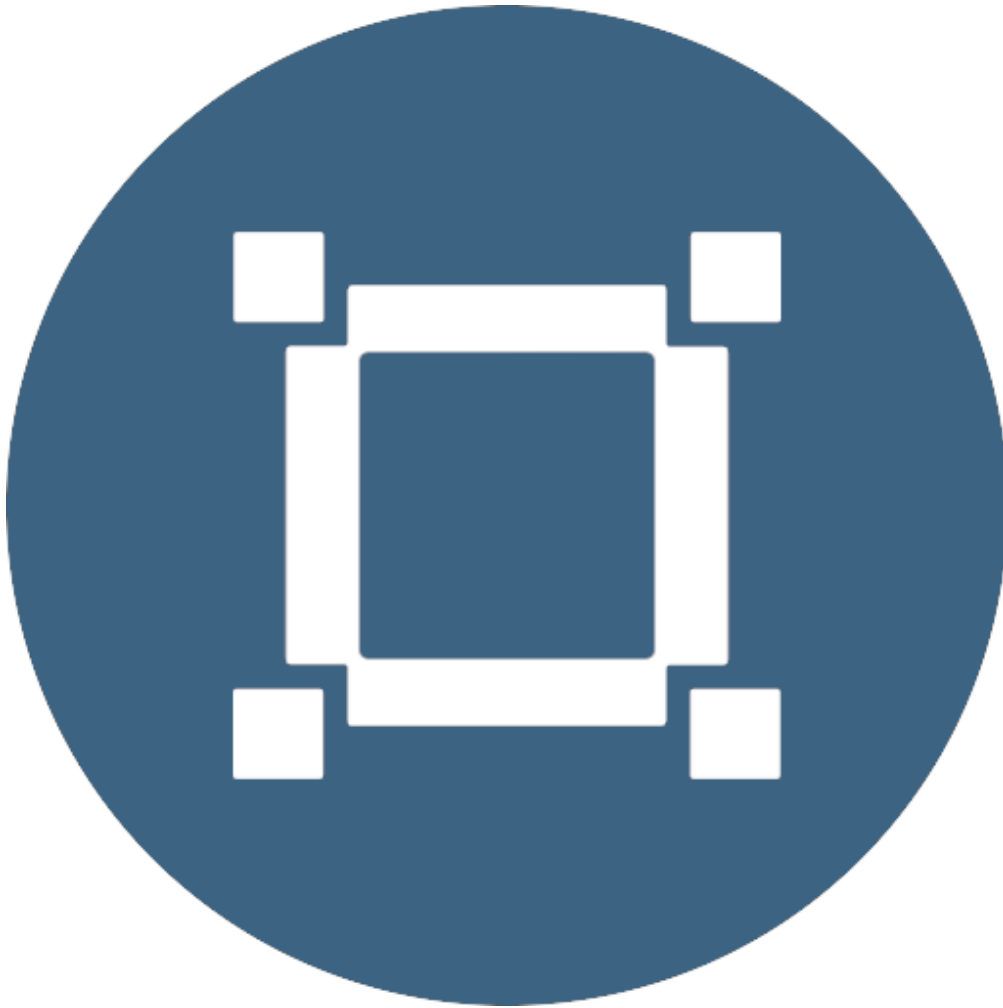
RESISTANCE AND DURABILITY

APPLICATION

AVAILABLE VERSIONS

Compact industrial computers perform well in dusty and harsh environments, ensuring remarkably quiet operation. The reliable MobiPad nBOX MK12F-V2-I5 utilizes fanless passive cooling and a metal construction for efficient heat dissipation. This durable device, powered by Intel Core Alder processors, is designed for 24/7 continuous operation thanks to the Auto Power On function and is suitable for demanding industrial and office systems.

Small dimensions



The small dimensions of the housing ensure maximum space saving and exceptional ease of transport of the device.

Lightweight construction



The lightweight design weighing 1.63 kg means the mini computer fits easily into a bag or backpack, making it the perfect travel companion.

Efficient processor



The Intel Core i5 processor (12 cores) provides improved device performance and smooth multitasking.

Wireless Networking



The built-in Wi-Fi module provides lightning-fast internet access and allows for seamless connection to nearby wireless networks.

Quick Start



The use of a modern M.2 SSD significantly accelerates application launches and increases overall system responsiveness while maintaining near-silent operation.

Passive Cooling



The Mini PC's passive cooling system guarantees completely silent operation, significantly improving the quiet user experience.

[up...](#) [menu...](#)

SPECIFICATION

MobiPad nBOX MK12F-V2-I5

Processor	Intel Core i5-1240P
Operating system	Windows 11 PRO

MobiPad nBOX MK12F-V2-I5

RAM	DDR4: 16GB (DDR4: 32GB) (*optional)
Drive	SSD M2 - NVMe: 512GB (SSD M2 - NVMe: 1TB 2TB) * (optional)
Communication	WiFi 6E Bluetooth 4G LTE* (optional)
Connectors - front	1x USB-C 3.0 4x USB 3.0 2x USB 2.0 microphone input (MIC IN) line output (Line out)
Connectors - rear	3x HDMI 2.0b 1x DisplayPort 1.4a 2x LAN 2x USB 2.0 2x COM ** (a choice of 2x RS232 or 2xRS485 or 1xRS232 and 1x RS485)
Dimensions	186x128x67mm
Weight	1.63kg
Graphics card	Intel Iris Xe Graphics
Colors available	Black (Metal Housing)

* Optional equipment available only in the appropriate product versions or upon request.

** When ordering, a selection of two COM connector variants is available: 2x RS232, 2x RS485, or a mixed set (1x RS232 and 1x RS485).



Detailed device specification is available in the "Technical data".

Powerful Processor

The MobiPad nBOX MK12F-V2-I5 industrial mini computer features powerful and

energy-efficient 12th-generation Intel Core i5 processors. It houses up to ten cooperative cores, enabling extremely efficient processing of multiple tasks simultaneously. Shared cache memory in a modern hybrid architecture is dynamically allocated to each core depending on the current load. This optimizes access times to the DDR4 main memory and ensures smooth operation of the device in harsh environmental conditions.

[up...](#) [menu...](#)

Passive Cooling

The reliable MobiPad nBOX MK12F-V2-I5 features an efficient, passive fanless cooling system based on a durable metal housing. This utilizes the natural principle of heat dissipation from the structure to the environment, completely eliminating moving components and fans. This solution guarantees silent operation, reduced failure rates, and high resistance to dust and dirt, enabling stable operation across a wide temperature range while maintaining the high energy efficiency of the Alder Lake series units.

Dimensions

Thanks to its compact metal housing, the MobiPad nBOX MK12F-V2-I5 is versatile for use in both modern offices and demanding industrial environments. Its fanless design fits almost anywhere, and VESA mount support allows for easy mounting on the back of a monitor for maximum workstation optimization.



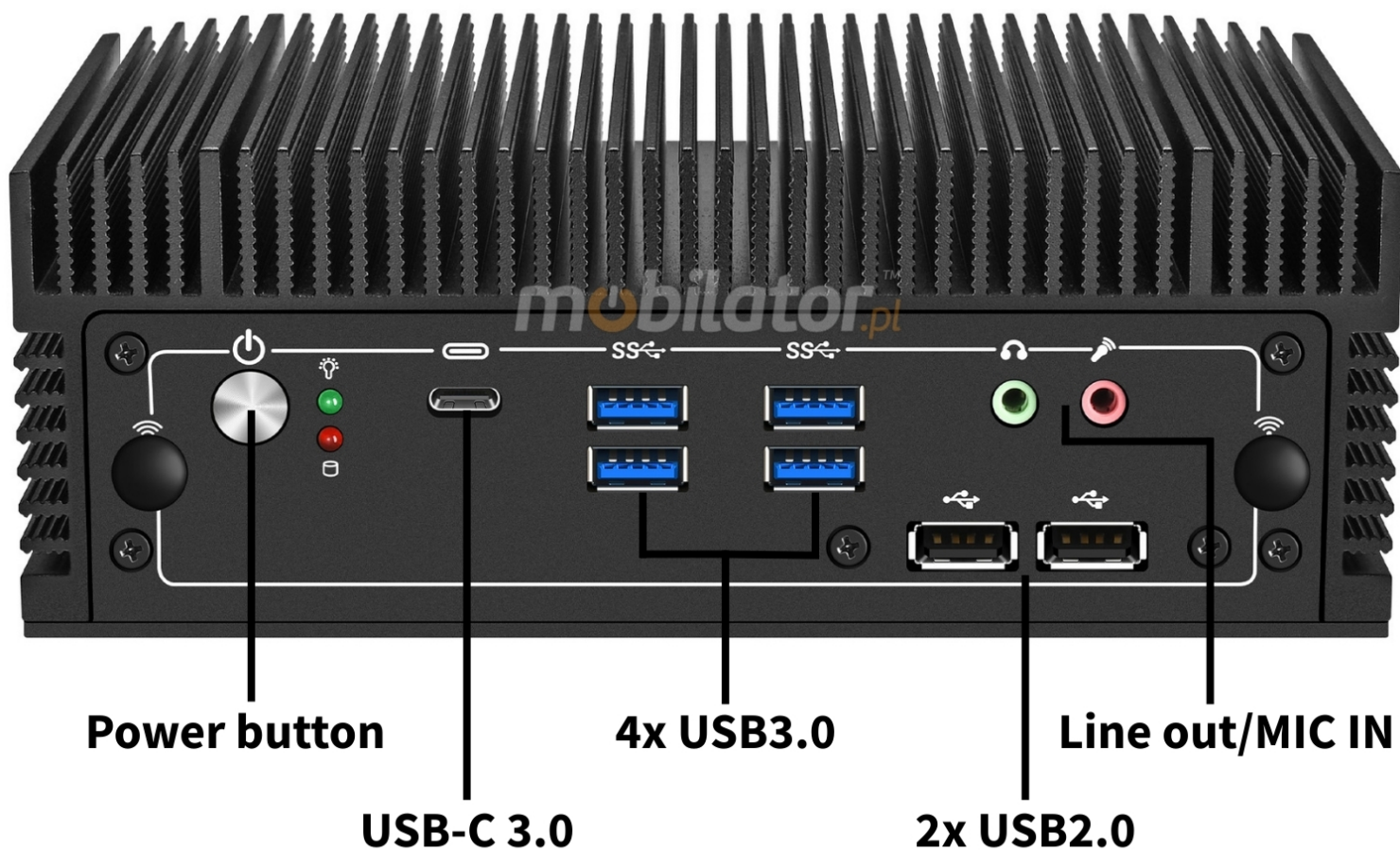
Dimensions	186mm x 128mm x 67mm
Net weight	1630g

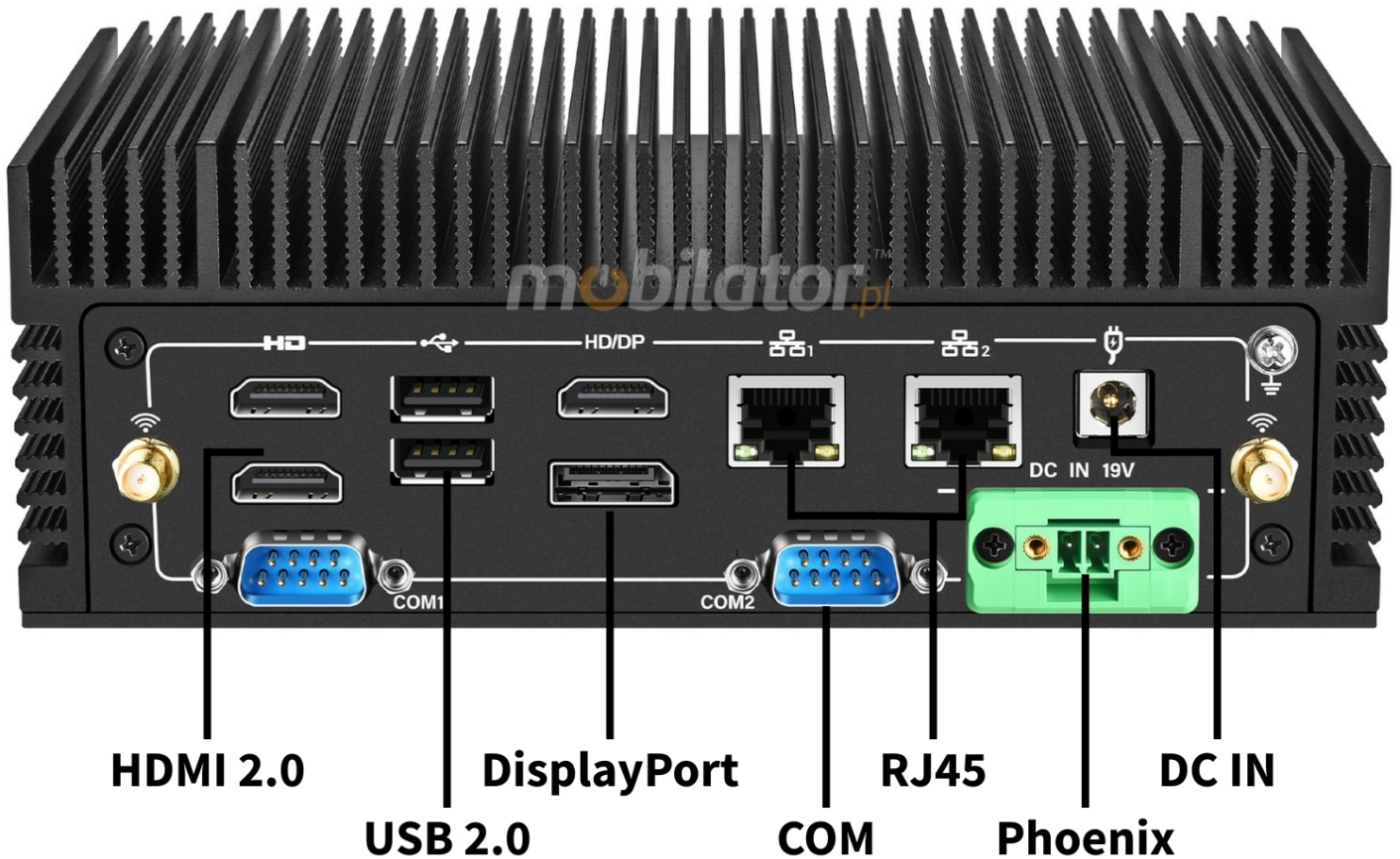
[up...](#) [menu...](#)

Connectors and Buttons

The compact MobiPad nBOX MK12F-V2-I5 is equipped with a comprehensive set of front ports that enable lightning-fast communication with peripherals even in challenging work environments. In addition to the physical power button and LED indicators, the metal front housing includes a USB-C 3.0 port, four high-speed USB 3.0 ports, and two USB 2.0 ports. This model also features dedicated

audio connectors for a microphone and line-out, which users can use according to their specific tasks and personal needs.





The design of this innovative mini PC includes a built-in DC IN power socket, a Phoenix connector, two RJ45 2.5Gbe LAN sockets, three HDMI 2.0b ports, a DisplayPort 1.4a, and an additional USB 2.0. The device offers complete configuration flexibility - **when ordering, a selection of two COM connector variants is available: 2x RS232, 2x RS485, or a mixed set (1x RS232 and 1x RS485).** This allows for a perfect match of the equipment to the unique technical requirements of each industry.

[up...](#) [menu...](#)

CONNECTIVITY AND COMMUNICATION

WiFi 6E wireless network

The modern MobiPad nBOX MK12F-V2-I5 provides stable wireless connectivity thanks to the built-in M.2 2230 E Key slot, which supports the WiFi 6E standard. The device offers fast and reliable data transmission in the 2.4 GHz, 5 GHz, and modern 6 GHz bands, allowing for smooth operation in crowded industrial and office networks.

Wired LAN

The ultra-efficient MobiPad nBOX MK12F-V2-I5 features two advanced built-in Intel I225-V/1226-V network cards, which can operate in an incredibly fast 2.5Gbe LAN. This solution provides twice the throughput of standard Gigabit Ethernet, guaranteeing lightning-fast data transfer and a stable connection in demanding industrial infrastructures. Thanks to the dual RJ45 ports, the computer supports multiple networks simultaneously or a redundant connection, significantly improving the reliability of the entire system.

[up...](#) [menu...](#)

RESISTANCE AND DURABILITY

Mechanical Damage

The passive fanless cooling system used in the silent MobiPad nBOX MK12F-V2-I5, combined with a fast M.2 NVMe SSD, makes this unit exceptionally resistant to vibration and mechanical damage.



A key advantage of this mini computer is its robust metal construction, which acts as a heat sink and ensures high heat dissipation efficiency. The specially designed, dimensional enclosure effectively protects components from external damage and ensures trouble-free operation in harsh environmental conditions.

Extreme Temperatures

The versatile MobiPad nBOX MK12F-V2-I5 is designed for continuous operation in extreme thermal conditions, offering stability within a wide temperature range of -20°C to 55°C. Thanks to its durable metal construction and passive cooling system, the device efficiently dissipates heat even under maximum load with modern Intel Core processors. This operating characteristic ensures this industrial mini PC guarantees reliability in the most demanding environments, where ambient temperatures are subject to frequent and rapid changes.

Operating Temperature	-20°C to 55°C
Temperature Storage	-20°C to 70°C
Humidity	5% to 95%

[up...](#) [menu...](#)

APPLICATIONS

Retail and Services

The future-proof MobiPad nBOX MK12F-V2-I5 is the ideal tool for supporting retail and logistics, and its compact dimensions significantly facilitate adaptation to tasks such as invoicing and sales documentation management. Its passively cooled metal construction allows for comfortable and quiet operation at customer service points. Thanks to the included VESA mount (70x70/100x100mm), the computer can be quickly mounted at a cash register, under a desk, or directly behind a monitor, optimizing space in stores, factory floors, and even in delivery vehicles.



[up...](#) [menu...](#)

Warehouse and Logistics

Thanks to the high performance of a 12th-generation Intel Core processor, the MobiPad nBOX MK12F-V2-I5 industrial computer can be used to manage multiple warehouse systems simultaneously. Its robust design guarantees long-term, trouble-free operation, even in dusty environments, ensuring system stability across a wide temperature range.



Transportation and Automotive

The multi-purpose MobiPad nBOX MK12F-V2-I5 is ideal for transportation thanks to its wide DC IN power supply range. The unit can be successfully used in cars, buses, trains, and airplanes, supporting passenger information systems and real-time vehicle diagnostics. The compact metal housing allows for installation in confined spaces, and passive cooling ensures reliability in the event of a shock.



[up...](#) [menu...](#)



More photos in full resolution available in the "Gallery".

AVAILABLE VERSIONS

The professional MobiPad nBOX MK12F-V2-I5 minicomputer is available in numerous variants, allowing for a perfect match of hardware to specific requirements. Selecting a configuration number in the table below provides direct access to the product data sheet with full specifications. For custom solutions, configurations outside of the current offering can be prepared upon request.

	v.1	v.2	v.2.1	v.3	v.4	v.5	v.6
Windows 11 PRO	—	—	+	—	—	—	—

WiFi 6E	—	—	+	+	—	—	—
4G	—	—	—	—	+	—	—
8GB RAM	—	+	+	+	+	—	—
16GB RAM	—	—	—	—	—	+	+
32GB RAM	—	—	—	—	—	—	—
256GB SSD M.2 -NVMe	—	+	+	—	—	—	—
512GB SSD M.2 -NVMe	—	—	—	+	+	—	+
512GB + 2TB SSD M.2 -NVMe	—	—	—	—	—	—	—
256GB + 1TB SSD M.2 -NVMe	—	—	—	—	—	+	—
1TB SSD M.2 -NVMe	—	—	—	—	—	—	—
2TB SSD M.2 -NVMe	—	—	—	—	—	—	—
	v.6.1	v.7	v.8	v.8.1	v.9	v.10	
Windows 11 PRO	+	—	—	+	—	+	
WiFi 6E	+	+	+	+	+	+	
4G	—	—	—	—	—	—	
8GB RAM	—	—	—	—	—	—	
16GB RAM	+	+	—	—	—	—	
32GB RAM	—	—	+	+	+	+	
256GB SSD M.2 -NVMe	—	—	—	—	—	—	

512GB SSD M.2 -NVMe	+	—	—	—	—	—
512GB + 2TB SSD M.2 -NVMe	—	—	—	—	—	+
256GB + 1TB SSD M.2 -NVMe	—	—	—	—	—	—
1TB SSD M.2 -NVMe	—	+	+	+	—	—
2TB SSD M.2 -NVMe	—	—	—	—	+	—