



Mobitouch 215AH-LF v.1 - Modern control panel on Android 13 for industrial applications with WiFi, 125 kHz RFID and 21.5-inch networks

| | |
|---------------------------------|---------------------------------------|
| Category: | Industrial Panel PC Computers |
| Manufacturer: | Mobikator |
| Supported OS: | Android 13 |
| Installed OS: | Android 13 |
| Screen size: | 21.5 inch |
| Resolution: | 1920x1080 |
| Aspect ratio: | 16:9 |
| Brightness: | 300 cd/m2 |
| Touchscreen: | No |
| CPU Support: | RK3588 |
| Installed CPU: | RK3588 |
| Graphic Card: | Integrated graphics Intel HD Graphics |
| Storage (HDD) Support: | eMMC |
| Installed Storage (HDD): | 64GB eMMC |
| Memory Support: | DDR4 |
| Installed Memory: | 4GB |
| IP Norm: | ----- |

| | |
|---|---|
| IP Level (front panel): | IP65 |
| IP Level (back panel): | ----- |
| Temp: | -10 °C to 60 °C |
| Storage Temp: | -20 °C to 70 °C |
| Humidity: | 5% - 95% Non-Condensing |
| Anti-shock: | ---- |
| Anti-vibration: | ---- |
| Barcode reader: | ---- |
| RFID scanner (reader): | LF (125 kHz) + HF (13,56 MHz - ISO14443A/B) |
| Others: | Color: Silver |
| LAN: | 2xRealtek RTL 8111E Gigabit Ethernet |
| Wireless LAN card: | Yes |
| 3G: | ----- |
| 4G LTE: | No |
| Bluetooth: | Yes |
| GPS: | No |
| Ports - rear panel: | Phoenix terminal RS232 2xUSB 3.0 RJ-45 LAN HDMI UBOOT SIM TF DC |
| Ports - front panel: | ----- |
| Ports - left panel: | ----- |
| Ports - right panel: | ----- |
| Expansion: | 2x speaker Camera HD |
| Power: | DC-12V |
| Power Consumption: | 20-30 w |
| Watch Dog Timer: | Yes |
| Folding Bracket (for office type working): | ----- |
| Chipset: | AMD |
| CD/DVD Drive: | No |
| Audio: | Yes |

| | |
|--|-------------------------|
| TV Tuner: | No |
| Backlight MTBF: | Yes |
| Contrast Ratio: | 800:1 |
| Dual display: | Yes |
| Viewing Angle: | 85/85/85/85(L/R/U/D) |
| Touch Life(contacts): | 60000-70000 |
| Surface hardness (display): | 7H |
| Color Resolution: | 16,7M |
| Response time touch-panel (ms): | 7-30 ms |
| Housing material: | Aluminium |
| Dimensions: | 522.04 x 388.5x 63.1 mm |
| Fanless: | Yes |
| Weight: | 7,5kg |

3 251,81 zł

net price: 2 643,75 zł



SPECIFICATION AND PARAMETERS

DISPLAY AND TOUCH

RESISTANCE AND PROTECTION

COMMUNICATION AND CONNECTORS

APPLICATION

AVAILABLE VERSIONS AND ACCESSORIES

Industrial PC panels are integrated devices consisting of a PC computer and a touch monitor. Due to their design, they can work even under severe

conditions prevailing in industrial environments, such as high humidity, high dustiness, contact with water or very low or high temperatures. These panels are characterized by high efficiency and stability of operation in all conditions.



Efficient cooling

The housing with notches used in the panel ensures good air exchange inside the device



Quick start

A modern eMMC drive will increase the speed of applications and programs and ensure quiet computer operation.



Efficient

The octa-core RK3588 improves the device's performance.



Bright Screen

The display with 300 cd/ m² brightness makes the picture much more vivid and better readable when used outside in the sun.



Wireless network

The panel can be connected to nearby wireless networks by equipping it with a Wi-Fi module



Capacitive screen*

The capacitive screen allows precise handling and gentle on-screen movement.

* Optional equipment, available only in specific versions of the device.

Specifications and parameters

Performance

Processor

RK3588 (8x 2.4 GHz)

| Performance | |
|------------------|---|
| Graphics card | Integrated Intel HD Graphics |
| Operating system | Android 13 |
| RAM | 4GB |
| Drive | 64GB eMMC |
| Display | |
| Screen | 21.5" 1920x1080 |
| Touch screen | No touch Capacitive *(option) |
| Brightness | 300cd/m ² |
| Screen ratio | 16:9 |
| View angle | 85/85/85/85(L/R/U/D) |
| Interfaces | |
| Communication | WiFi Bluetooth 4G *(option) |
| Connectors | Phoenix terminal RS232 2xUSB 3.0 RJ-45 LAN HDMI UBOOT SIM TF DC |
| RFID | LF 125 kHz + HF 13,56 MHz |
| Other | |
| Dimensions | 522,04 x 388,5x 63,1 mm |
| Weight | 7,5 kg |
| Casing material | Aluminium |

*** Optional equipment, available only in specific versions of the device.**



Detailed device specification is available in the "Technical data".

The industrial PC panel uses an efficient and energy-saving RK3588 (4x 2.4 GHz). In its interior there are eight cooperating cores enabling more efficient processing of many tasks at the same time. Shared cache memory in which a multi-level hierarchy is used is dynamically allocated to each processor core depending on the load. This reduces the average access time to the main memory. Improved graphics card technology allows you to enjoy movies at full resolution and HD quality.



More photos in full resolution available in the "Gallery".

NPU

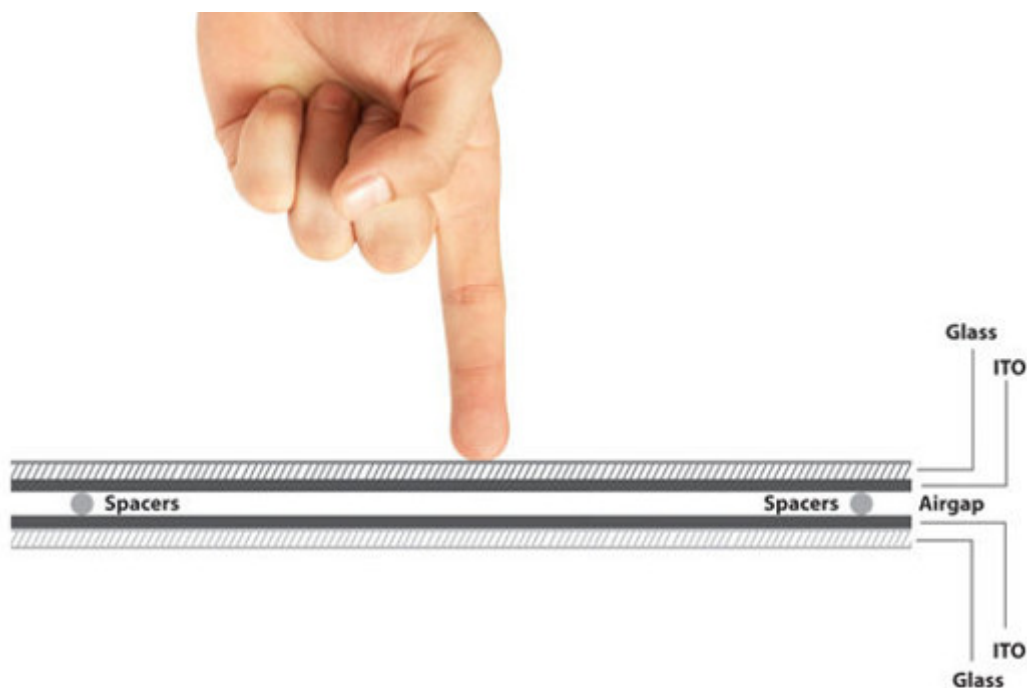
A special type of chip designed to handle artificial intelligence tasks. It allows a device to recognize images, voice, or text more quickly, while also operating more efficiently and saving energy. The NPU enables the use of smart features without delays, which translates into a more convenient and modern everyday user experience.

Display and touch

Amplified, metal industrial computer Mobitouch 215AH-LF has a water-resistant and scratch-proof 21.5" LED screen 1920x1080 resolution offers good image quality, and high brightness in the 300 cd/m² range gives better color saturation and contrast and allows significantly improved visibility even in the case of incident The display of the resistive type provides the user with a clear image and ease of use by touch.

CAPACITIVE SCREEN (OPTION)

The capacitive screen consists of a glass coating that is covered with an insulator. Touching the surface of the touch pad with your finger causes a disturbance in the flow of electric current. This display provides very good visibility under industrial conditions. The panel can be operated with one finger or conductive material (special glove). This type of screen provides support for multi-touch technology, which is a clear convenience during work. This is due to the fact that a large number of electrodes allows accurate detection of many points of touch. You do not have to use a stronger pressure for capacitive screens, because you only need to lightly brush the screen with your finger to make the device react.



Resistance and protection

QUALITY OF MATERIALS

The panel PC has a good-quality metal casing. It is an important element of the cooling system thanks to specially designed cutouts that facilitate air circulation inside the housing. The overall design of the device is focused on simplicity and functionality, appreciated among professionals, as an accessory the panel can be equipped with passive cooling.



EXTREME TEMPERATURES

PanelPC Mobitouch 215AH-LF is designed for continuous operation both at very low and high temperatures in the range from -10°C to 60°C . If the device is turned off, it can handle temperatures ranging from -20°C to 70°C . In addition, the durable PanelPC is perfect for rooms with increased humidity,

ensuring proper functioning even in the case of 95% relative air humidity. It is also possible to purchase additional fanless cooling.

| | |
|----------------------|-------------------------|
| Work temp. | -10°C do 60°C |
| Storage temp. | -20°C do 70°C |
| Humidity | 5% - 95% Non-Condensing |

Communication and connectors

WIRELESS WI-FI NETWORK

The dual-band Wi-Fi module provides quick access to the network wherever you can connect to secured or open Wi-Fi networks. This is a convenient solution for people who have a router at home or place of residence and a wireless network that can be used at no extra charge. The shockproof industrial panel Mobitouch 215AH-LF has been equipped with standards - 802.11n, which allows transfer of files at a dizzying speed of up to 150 Mb/s.

| | |
|--------------------|---------------|
| Standards | 802.11a/b/g/n |
| Frequencies | 2.4GHz |



BLUETOOTH COMMUNICATION

Bluetooth enables short-range wireless communication between various electronic devices, such as keyboard computer, laptop, PDA, mobile phone and many others. In the fourth version of standard, energy consumption was significantly reduced transfer and the real range of operation was increased



4G (OPTION)

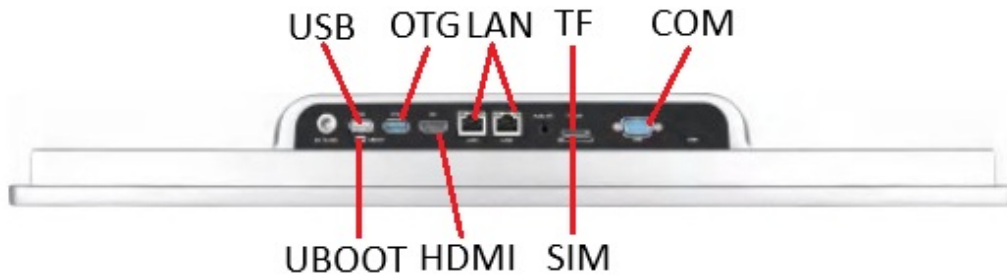
4G technology is based on a radio network with high-speed transmission and a low incidence of do

Mobitouch 101AH-LE+2D Komunikacja NFC

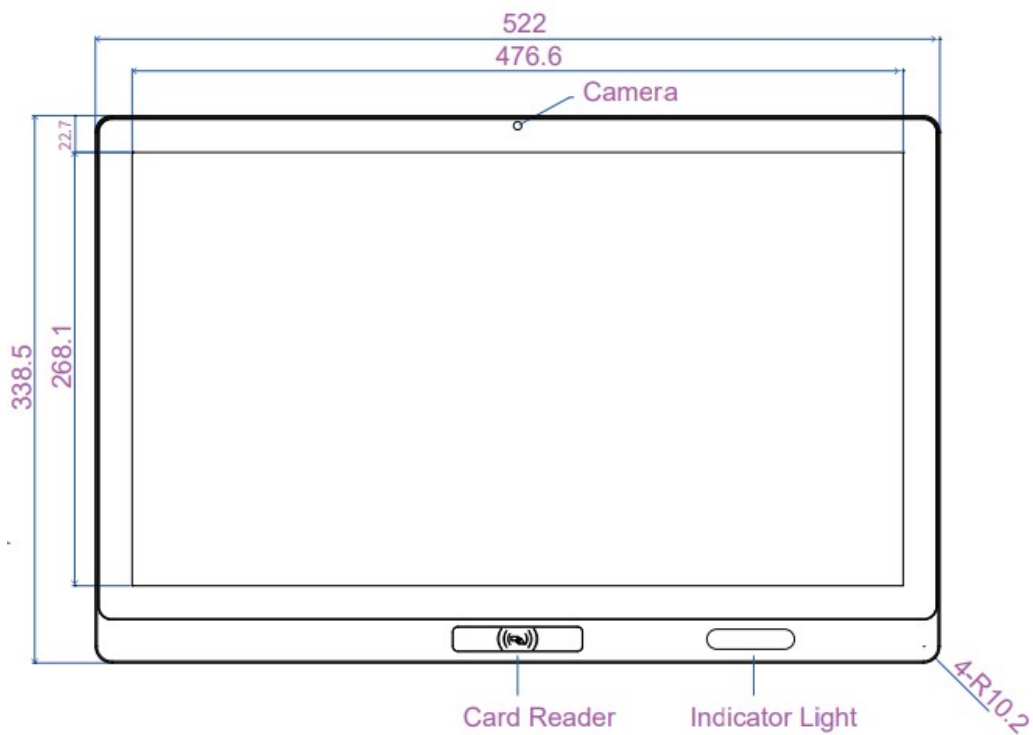
RFID READER

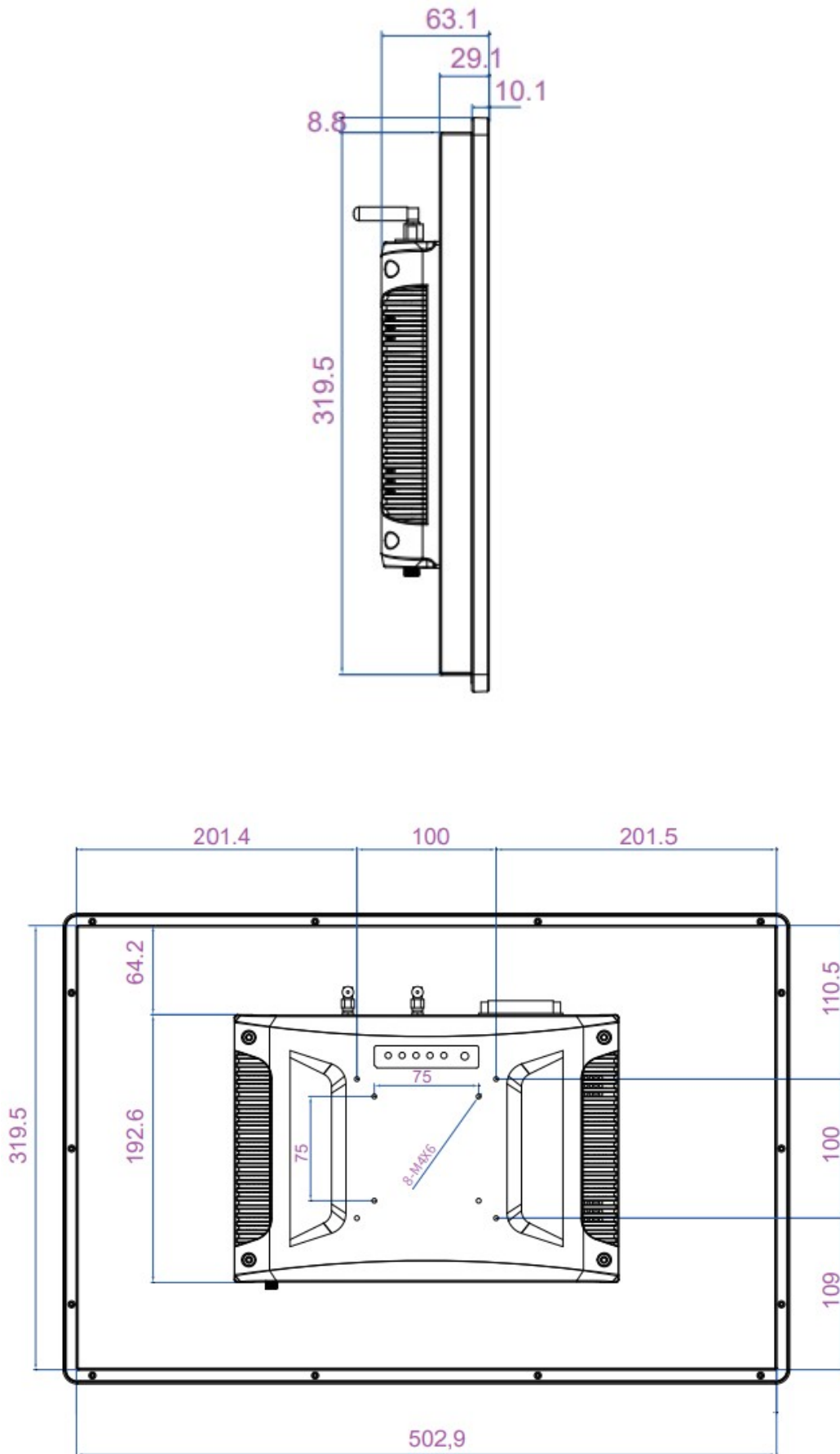
RFID is a technology used to identify objects and control the flow of products. Reading information

CONNECTORS AND INTERFACES



DIMENSIONS





Application



TRADE AND SERVICES

PC Panel is widely used primarily in the commercial industry, for example for controlling the sales system, displaying product information on monitors or advertising on large screens. With the VESA holder in the housing there are many possibilities for its assembly, eg in stores (at the cash register) in factory halls, in a car delivering products, etc. It will certainly be used in all types of retail chains.

WAREHOUSE AND MANAGEMENT



The industrial panel computer thanks to the RS232 interface can be used to connect many devices in the warehouse and facilitate their control. And its rugged housing is ideally suited to the harsh conditions prevailing in such rooms. No dust or dirt will prevent him from working, he will work without complaints even in a large dusty and dirty environment.

TRANSPORT AND MOTORIZATION



Panel computers can be used in transport by adapting it to work on 12V power supply. Then Panel PC can be used in passenger cars, buses, trams, taxis, trains and even in airplanes. Thanks to the integrated monitor, these panels perform very well in vehicles where mobility and the small size of the device are important.

Available versions and accessories

Industrial Panel PC Mobitouch 215AH-LF is offered in several versions adapted to different needs. By clicking on the number of the hardware configuration you will be redirected to the product with the parameters given in the table below. In addition, it is possible to create a configuration that is currently unavailable on the customer's request.

| | v.1 | v.2 | v.3 | v.4 | v.5 | v.6 | v.7 | v.8 | v.9 |
|-------------------|-----|-----|-----|-----|-----|-----|-----|-----|-----|
| Screen beztouch | + | - | - | - | - | - | - | - | - |
| Capacitive screen | - | + | + | + | + | + | + | + | + |
| 4GB RAM | + | + | + | - | - | - | - | - | - |
| 8GB RAM | - | - | - | + | + | + | + | - | - |
| 16GB RAM | - | - | - | - | - | - | - | + | + |
| 64GB eMMC | + | + | + | - | - | - | - | - | - |
| 128GB eMMC | - | - | - | + | - | - | - | - | - |
| 256GB eMMC | - | - | - | - | - | + | + | + | + |
| 4G | - | - | + | - | + | - | + | - | + |
| LF RFID 125kHz | + | + | + | + | + | + | + | + | + |