



Mobitouch 215W-LF v.4 - Reinforced industrial panel (IP65 standard on the front) with touch screen, Windows 11, RFID 125 kHz, BT and WiFi



Category:	Industrial Panel PC Computers
Manufacturer:	Mobikator
Supported OS:	WINDOWS 10/11, Ubuntu/Redhat/Debian
Installed OS:	-----
Screen size:	21.5 inch
Resolution:	1920x1080
Aspect ratio:	16:9
Brightness:	300 cd/m2
Touchscreen:	Capacitive
CPU Support:	Intel Celeron J6412
Installed CPU:	Intel Celeron J6412
Graphic Card:	Integrated graphics Intel UHD Graphics
Storage (HDD) Support:	SSD / HDD
Installed Storage (HDD):	256GB SSD
Memory Support:	DDR4
Installed Memory:	8GB

IP Norm:	-----
IP Level (front panel):	IP65
IP Level (back panel):	-----
Temp:	-10 °C to 60 °C
Storage Temp:	-20 °C to 70 °C
Humidity:	5% - 95% Non-Condensing
Anti-shock:	----
Anti-vibration:	----
Barcode reader:	----
RFID scanner (reader):	125 kHz
Others:	Color: Silver
LAN:	1xRealtek RTL 8111E Gigabit Ethernet
Wireless LAN card:	Yes
3G:	-----
4G LTE:	No
Bluetooth:	Yes
GPS:	No
Ports - rear panel:	Phoenix terminal RS232 2xUSB 3.0 2xRJ-45 LAN HDMI UBOOT SIM DC VGA 2xUSB 2.0
Ports - front panel:	-----
Ports - left panel:	-----
Ports - right panel:	-----
Expansion:	2x speaker Camera HD
Power:	DC-12V
Power Consumption:	20-30 w
Watch Dog Timer:	Yes
Mounting VESA:	75 x 75 mm 100 x 100 mm
Folding Bracket (for office type working):	Option
Chipset:	Intel

CD/DVD Drive:	No
Audio:	Yes
TV Tuner:	No
Backlight MTBF:	-----
Contrast Ratio:	1000:1
Dual display:	Yes
Viewing Angle:	89/89/89/89(L/R/U/D)
Touch Life(contacts):	60000-70000
Surface hardness (display):	7H
Color Resolution:	-----
Response time touch-panel (ms):	7-30 ms
Housing material:	Aluminium
Dimensions:	522 x 388,5x 63,1 mm
Fanless:	Yes
Weight:	7,5kg

3 680,78 zł

net price: 2 992,50 zł



SPECIFICATION AND PARAMETERS

DISPLAY AND TOUCH

RESISTANCE AND PROTECTION

COMMUNICATION AND CONNECTORS

APPLICATION

AVAILABLE VERSIONS AND ACCESSORIES

Industrial PC panels are integrated devices consisting of a PC computer and a touch monitor. Due to their design, they can work even under severe

conditions prevailing in industrial environments, such as high humidity, high dustiness, contact with water or very low or high temperatures. These panels are characterized by high efficiency and stability of operation in all conditions.



Efficient cooling

The housing with notches used in the panel ensures good air exchange inside the device



Quick start

A modern SSD drive will increase the speed of applications and programs and ensure quiet computer operation.



Efficient

The quad-core Intel improves the device's performance.



Bright Screen

The display with 300 cd/ m² brightness makes the picture much more vivid and better readable when used outside in the sun.



Wireless network

The panel can be connected to nearby wireless networks by equipping it with a Wi-Fi module



Capacitive screen

The capacitive screen allows precise handling and gentle on-screen movement.

Specifications and parameters

Performance

Processor

Intel Celeron J6412

Performance	
Graphics card	Integrated Intel UHD Graphics
Operating system	Support Windows 11
RAM	8GB
Drive	256GB SSD
Display	
Screen	21.5" 1920x1080
Touch screen	Capacitive
Brightness	300cd/m ²
Screen ratio	16:9
View angle	89/89/89/89(L/R/U/D)
Interfaces	
Communication	WiFi Bluetooth 4G*
Connectors	Phoenix terminal RS232 2xUSB 3.0 2xRJ-45 LAN HDMI UBOOT SIM DC VGA 2xUSB 2.0
RFID	LF 125 kHz + HF 13,56 MHz
Other	
Dimensions	522 x 388,5x 63,1 mm
Weight	7,5 kg
Casing material	Aluminium

* Optional equipment, available only in specific versions of the device.



Detailed device specification is available in the "Technical data".

The industrial PC panel uses an efficient and energy-saving Intel Celeron J6412 . In its interior there are four cooperating cores enabling more efficient processing of many tasks at the same time. Shared cache memory in which a multi-level hierarchy is used is dynamically allocated to each processor core depending on the load. This reduces the average access time to the main memory. Improved graphics card technology allows you to enjoy movies at full resolution and HD quality.



More photos in full resolution available in the "Gallery".

NPU

A special type of chip designed to handle artificial intelligence tasks. It allows a device to recognize images, voice, or text more quickly, while also operating more efficiently and saving energy. The NPU enables the use of smart features without delays, which translates into a more convenient and modern everyday user experience.

Display and touch

Amplified, metal industrial computer Mobitouch 215W-LF has a water-resistant and scratch-proof 21.5" LED screen 1920x1080 resolution offers good image quality, and high brightness in the 300 cd/m² range gives better color saturation and contrast and allows significantly improved visibility even in the case of incident The display of the resistive type provides the user with a clear image and ease of use by touch.

CAPACITIVE SCREEN

The capacitive screen consists of a glass coating that is covered with an insulator. Touching the surface of the touch pad with your finger causes a disturbance in the flow of electric current. This display provides very good visibility under industrial conditions. The panel can be operated with one finger or conductive material (special glove). This type of screen provides support for multi-touch technology, which is a clear convenience during work. This is due to the fact that a large number of electrodes allows accurate detection of many points of touch. You do not have to use a stronger pressure for capacitive screens, because you only need to lightly brush the screen with your finger to make the device react.



Resistance and protection

QUALITY OF MATERIALS

The panel PC has a good-quality metal casing. It is an important element of the cooling system thanks to specially designed cutouts that facilitate air circulation inside the housing. The overall design of the device is focused on simplicity and functionality, appreciated among professionals, as an accessory the panel can be equipped with passive cooling.



EXTREME TEMPERATURES

PanelPC Mobitouch 215W-LF is designed for continuous operation both at very low and high temperatures in the range from -10°C to 60°C . If the device is turned off, it can handle temperatures ranging from -20°C to 70°C . In addition, the durable PanelPC is perfect for rooms with increased humidity, ensuring proper functioning even in the case of 95% relative air humidity. It is also possible to purchase additional fanless cooling.

Work temp.	-10°C do 60°C
Storage temp.	-20°C do 70°C
Humidity	5% - 95% Non-Condensing

Communication and connectors

WIRELESS WI-FI NETWORK

The dual-band Wi-Fi module provides quick access to the network wherever you can connect to secured or open Wi-Fi networks. This is a convenient solution for people who have a router at home or place of residence and a wireless network that can be used at no extra charge. The shockproof industrial panel Mobitouch 215A-LF has been equipped with standards - 802.11n, which allows transfer of files at a dizzying speed of up to 150 Mb/s.

Standards	802.11a/b/g/n
Frequencies	2.4GHz



BLUETOOTH COMMUNICATION

Bluetooth enables short-range wireless communication between various electronic devices, such as keyboard computer, laptop, PDA, mobile phone and many others. In the fourth version of standard, energy consumption was significantly reduced transfer and the real range of operation was increased



4G

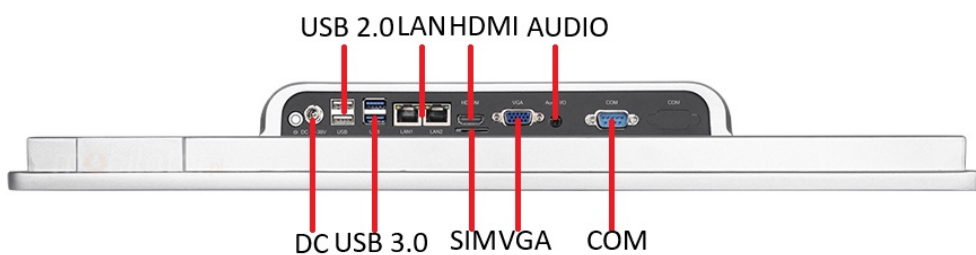
4G technology is based on a radio network with high-speed transmission and a low incidence of do



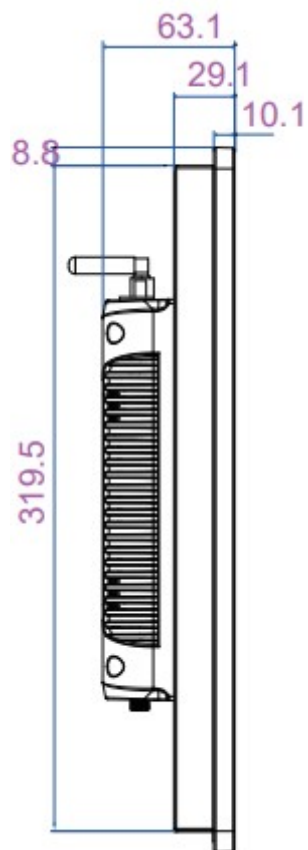
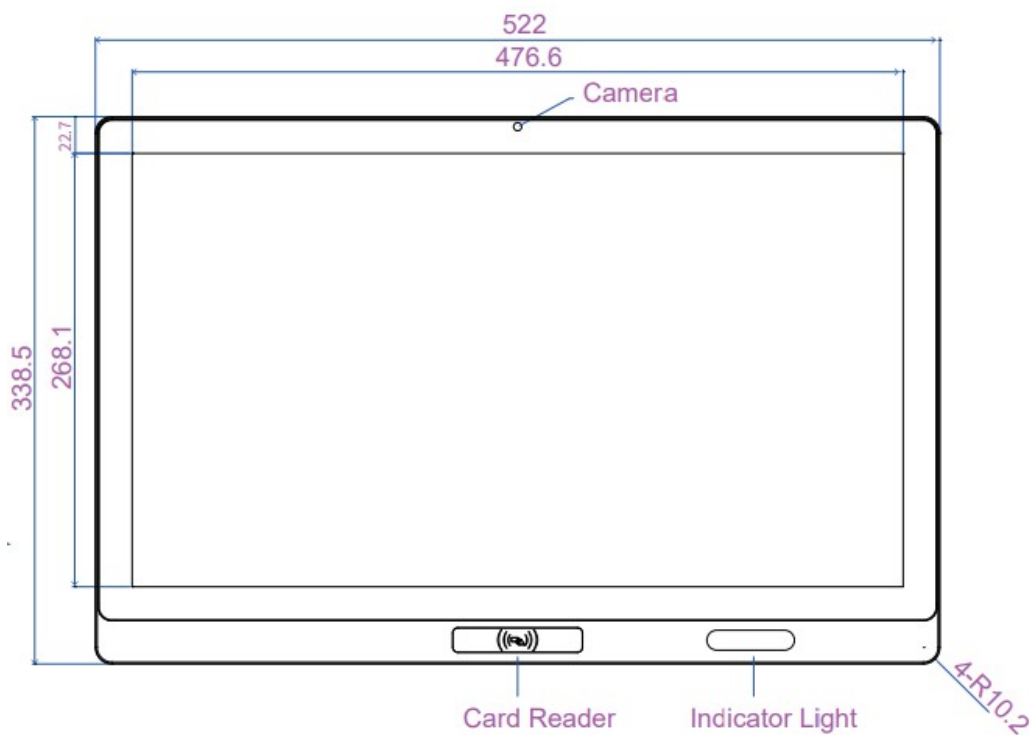
RFID READER

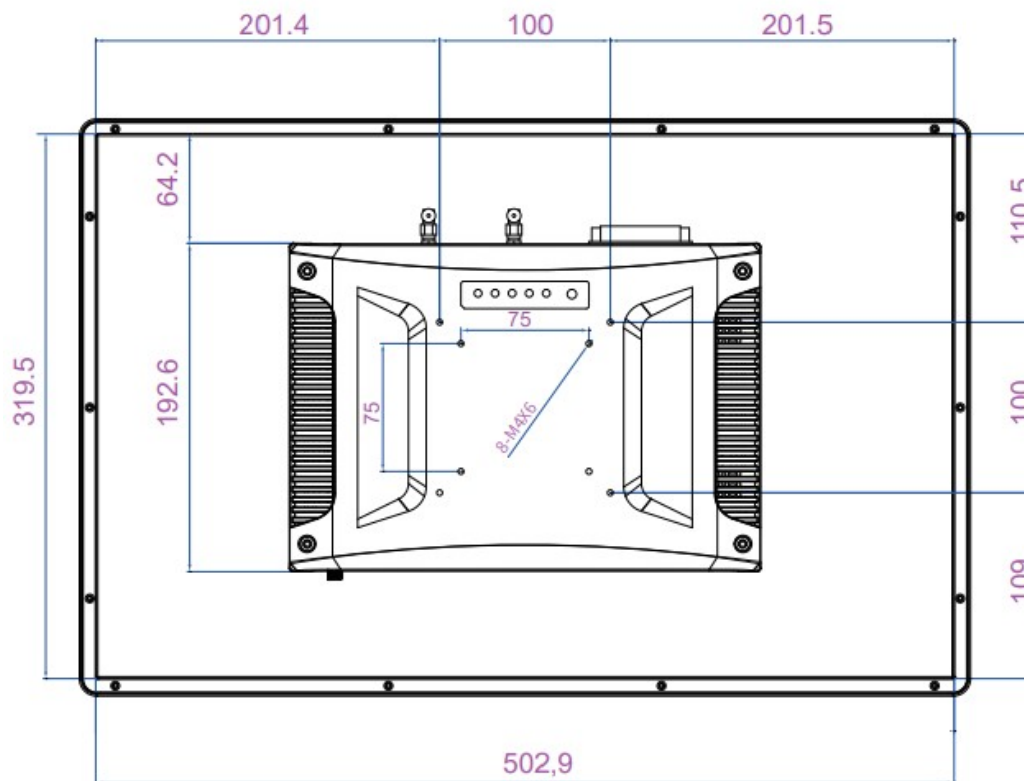
RFID is a technology used to identify objects and control the flow of products. Reading information

CONNECTORS AND INTERFACES



DIMENSIONS





Application



TRADE AND SERVICES

PC Panel is widely used primarily in the commercial industry, for example for controlling the sales system, displaying product information on monitors or advertising on large screens. With the VESA holder in the housing there are

many possibilities for its assembly, eg in stores (at the cash register) in factory halls, in a car delivering products, etc. It will certainly be used in all types of retail chains.

WAREHOUSE AND MANAGEMENT



The industrial panel computer thanks to the RS232 interface can be used to connect many devices in the warehouse and facilitate their control. And its rugged housing is ideally suited to the harsh conditions prevailing in such rooms. No dust or dirt will prevent him from working, he will work without complaints even in a large dusty and dirty environment.

TRANSPORT AND MOTORIZATION



Panel computers can be used in transport by adapting it to work on 12V power supply. Then Panel PC can be used in passenger cars, buses, trams, taxis, trains and even in airplanes. Thanks to the integrated monitor, these panels perform very well in vehicles where mobility and the small size of the

device are important.

Available versions and accessories

Industrial Panel PC Mobitouch 215W-LF is offered in several versions adapted to different needs. By clicking on the number of the hardware configuration you will be redirected to the product with the parameters given in the table below. In addition, it is possible to create a configuration that is currently unavailable on the customer's request.

	v.1	v.2	v.3	v.4	v.5.	v.6	v.7	v.8	v.9
Screen beztouch	+	-	-	-	-	-	-	-	-
Capacitive screen	-	+	+	+	+	+	+	+	+
4GB RAM	+	+	-	-	-	-	-	-	-
8GB RAM	-	-	+	+	+	+	-	-	-
16GB RAM	-	-	-	-	-	-	+	+	+
128GB SSD	+	+	+	-	-	-	-	-	-
256GB SSD	-	-	-	+	+	-	-	-	-
512GB SSD	-	-	-	-	-	+	+	+	-
1TB SSD	-	-	-	-	-	-	-	-	+
4G	-	-	-	-	+	-	-	+	-
RFID HF 13,56 MHz + LF 125 kHz	+	+	+	+	+	+	+	+	+