

IP65

HDMI
HIGH DEFINITION MULTIMEDIA INTERFACE

dvi
digital visual interface



MoTouch 13.3 - Industrial Monitor with IP65 on front cover

Category:	Industrial touch screens
Manufacturer:	Mobilator
Screen size:	13.3"
Resolution:	1920x1080
Aspect ratio:	16:9
Brightness:	400 cd/m2
Touchscreen:	Capacitive
IP Norm:	IP 65 on front
IP Level (back panel):	-----
IP Level (front panel):	IP 65
Temp:	-20°C ~ 60°C
Storage Temp:	-20°C ~ 65°C
Humidity:	10%~ 80%
Anti-shock:	-----
Anti-vibration:	-----
Others:	-----
Ports - rear panel:	1x VGA, 1x HDMI, 1x DVI, 1x DC-IN, 1x RJ-45 (touch connector);

Built-in speakers:	No
Expansion:	-----
Power:	12V DC
Power Consumption:	60 W
Mounting VESA:	Panel, Wall, Rack, Stand and Arm
Folding Bracket (for office type working):	No (optional)
Backlight MTBF:	WLED
Contrast Ratio:	1000:1
Viewing Angle:	89/89/89/89(Typ.)(CR>10)
Color Resolution:	16.7M
Touch Life(contacts):	>50,000,000 times in one location without failure
Surface hardness (display):	-
Housing material:	rugged 3mm thickness aluminum
Dimensions:	375 x 252 x 43 mm
Weight:	5 kg

2 264,74 zł

net price: 1 841,25 zł

MoTouch 13.3



Menu

Description

Connector

Screen

Application

Specifications

Industrial Touch Monitors

Small dimensions Industrial Panel Monitor are used in environments dominated by dust, dirt and moisture. They are ideal for applications requiring quiet and continuous operation. Industrial touch screen monitor, through its function of touch, replaces: mouse, keyboard, or other pointing device.

[go top...](#)



Mobilator

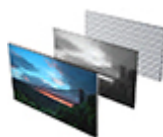
MoTouch 13.3



Resolution: 1920x1080 / 16:9



LCD size: 13.3"



Backlight: LED



Connectors: VGA/DVI/HDMI



Screen

Protection: -

Mounting:

75mm x

75mm /

100mm x

100mm

Built-in

speakers: -

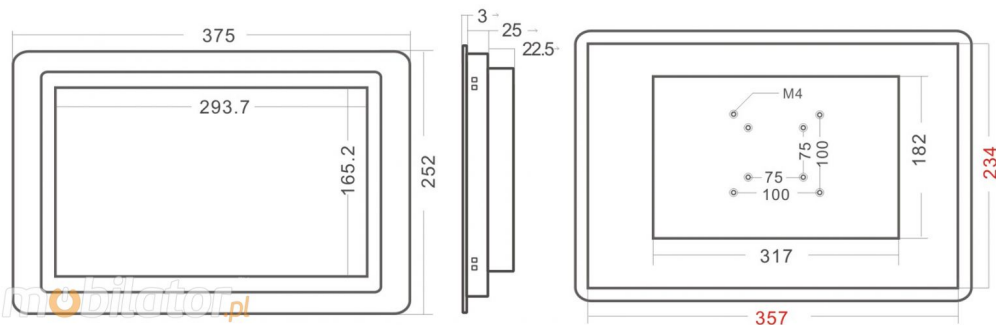
Detailed specification of the configuration available in the "Technical data"



Dimensions:

Housing dimension are 375 x 252 x 42 mm. Housing is made of high quality aluminium what ensures a very high resistance to mechanical damages in conditions such as

heat, cold, vibration.



[go top...](#)

Connector

For proper operation of the touch controller is needed connect the monitor to the computer using the USB cable.

Connector:

Touch monitor MoTouch 13.3 is equipped with the essential connectors such as:

- | | |
|----------------------------|--------|
| 1. DC-IN 12-24V | 3. VGA |
| 2. HDMI | 4. DVI |
| 5. RJ-45 (touch connector) | |



Screen

MoTouch 13.3 With 1920x1080 resolution and high brightness of 400 cd/m², screen of capacitive type with high sensitivity to touch, offers the user a clear picture and ease of use.

The LCD monitor backlight LED technology results in realistic color rendering, energy consumption reduced by up to 40% and much lower failure rate compared to traditional LCD monitors with CCFL backlight.



Capacitive screen

Operation of this type of screen is a bit more complex than the resistive screens, but the comfort of their use is much higher. In the corners of the screen capacitive electrodes are placed emitting weak electric field. If you touch the display, the intensity produced before the field changes, and the system will calculate respectively, where the disturbance occurred.



Screen capacitive

