

IP65

HDMI  
HIGH DEFINITION MULTIMEDIA INTERFACE

dvi  
digital visual interface



MoTouch 17.3 - Industrial Monitor with IP65 on front cover

<b>Category:</b>	Industrial touch screens
<b>Manufacturer:</b>	Mobilator
<b>Screen size:</b>	17.3"
<b>Resolution:</b>	1920x1080
<b>Aspect ratio:</b>	16:9
<b>Brightness:</b>	400 cd/m2
<b>Touchscreen:</b>	Capacitive
<b>IP Norm:</b>	IP 65 on front
<b>IP Level (back panel):</b>	-----
<b>IP Level (front panel):</b>	IP 65
<b>Temp:</b>	-10°C ~ 65°C
<b>Storage Temp:</b>	-20°C ~ 70°C
<b>Humidity:</b>	10%~ 80%
<b>Anti-shock:</b>	-----
<b>Anti-vibration:</b>	-----
<b>Others:</b>	-----
<b>Ports - rear panel:</b>	1x VGA, 1x HDMI, 1x DVI, 1x DC-IN, 1x RJ-45 (touch connector);

<b>Built-in speakers:</b>	No
<b>Expansion:</b>	-----
<b>Power:</b>	12V DC
<b>Power Consumption:</b>	60 W
<b>Mounting VESA:</b>	Panel, Wall, Rack, Stand and Arm
<b>Folding Bracket (for office type working):</b>	No (optional)
<b>Backlight MTBF:</b>	WLED
<b>Contrast Ratio:</b>	1000:1
<b>Viewing Angle:</b>	89/89/89/89(Typ.)(CR>10)
<b>Color Resolution:</b>	16.7M
<b>Touch Life(contacts):</b>	>50,000,000 times in one location without failure
<b>Surface hardness (display):</b>	-
<b>Housing material:</b>	rugged 3mm thickness aluminum
<b>Dimensions:</b>	458 x 291 x 50.5 mm
<b>Weight:</b>	5 kg

**630,19 €**

net price: 512,35 €

# MoTouch 17.3



## Menu

Description

Connector

Screen

Application

Specifications

## Industrial Touch Monitors

Small dimensions Industrial Panel Monitor are used in environments dominated by dust, dirt and moisture. They are ideal for applications requiring quiet and continuous operation. Industrial touch screen monitor, through its function of touch, replaces: mouse, keyboard, or other pointing device.

[go top...](#)



**Mobilator**

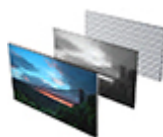
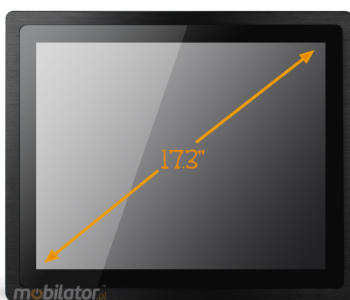
**MoTouch 17.3**



**Resolution:** 1920x1080 / 16:9



**LCD size:** 17.3"



**Backlight:** LED



**Connectors:**VGA/DVI/HDMI



### Screen

Protection: -



### Mounting:

75mm x

75mm /

100mm x

100mm

### Built-in

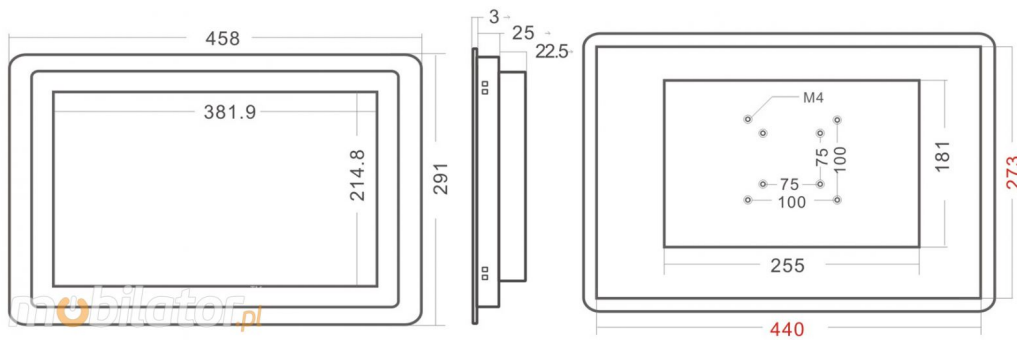
speakers: -

Detailed specification  
of the configuration  
available in the  
"Technical data"



### Dimensions:

Housing dimension are **458 x 291 x 50.5 mm**. Housing is made of high quality aluminum what ensures a very high resistance to mechanical damages. This model with weight of only **5 kg** is ready at any time for operation even in extreme conditions such as heat, cold, vibration.



[go top...](#)

Connector

**For proper operation of the touch controller is needed connect the monitor to the computer using the USB cable.**

**Connector:**

Touch monitor MoTouch 17.3 is equipped with the essential connectors such as:

1. DC-IN 12-24V
2. HDMI
3. VGA
4. DVI
5. RJ-45 (touch connector)





## Screen

MoTouch 17.3 With 1920x1080 resolution and high brightness of 400 cd/m<sup>2</sup>, screen of capacitive type with high sensitivity to touch, offers the user a clear picture and ease of use.

The LCD monitor backlight LED technology results in realistic color rendering, energy consumption reduced by up to 40% and much lower failure rate compared to traditional LCD monitors with CCFL backlight.



### Capacitive screen

Operation of this type of screen is a bit more complex than the resistive screens, but the comfort of their use is much higher. In the corners of the screen capacitive electrodes are placed emitting weak electric field. If you touch the display, the intensity produced before the field changes, and the system will calculate respectively, where the disturbance occurred.



### Screen capacitive

