



MoTouch 185 v.1 - Industrial monitor with capacitive touch screen and IP65 front panel standard

Category:	Industrial touch screens
Manufacturer:	Mobikator
Screen size:	18,5"
Resolution:	1920x1080
Aspect ratio:	16:9
Brightness:	300 cd/m2
Touchscreen:	Capacitive
IP Norm:	IP 65 on front
IP Level (back panel):	-----
IP Level (front panel):	IP 65
Temp:	-10°C ~ 60°C
Storage Temp:	-20°C ~ 70°C
Humidity:	to 95%
Anti-shock:	-----
Anti-vibration:	-----
Others:	-----
Ports - rear panel:	1x VGA, 1x HDMI, 1x DVI, 1x DC-IN, 1x RJ-45 (touch connector), 1x Audio I/O

Built-in speakers:	No
Expansion:	-----
Power:	12V~36V DC
Power Consumption:	18 W
Mounting VESA:	Panel, Wall, Rack, Stand and Arm
Folding Bracket (for office type working):	No (optional)
Backlight MTBF:	TFT LCD
Response time touch-panel (ms):	10 ms
Contrast Ratio:	1000:1
Viewing Angle:	85/85/80/80 (L/R/U/D)
Color Resolution:	16.7M
Touch Life(contacts):	Infinity
Surface hardness (display):	-
Housing material:	rugged 3mm thickness aluminum
Dimensions:	486.5mm x 307.4mm x 67mm
Weight:	6 kg

587,95 €

net price: 478,01 €

MoTouch 185



Menu

❖ Description

❖ Connector

❖ Screen

❖ Application

❖ Specifications

Industrial Touch Monitors

Small dimensions Industrial Panel Monitor are used in environments dominated by dust, dirt and moisture. They are ideal for applications requiring quiet and continuous operation. Industrial touch screen monitor, through its function of touch, replaces: mouse, keyboard, or other pointing device.

[go top...](#) [menu...](#)

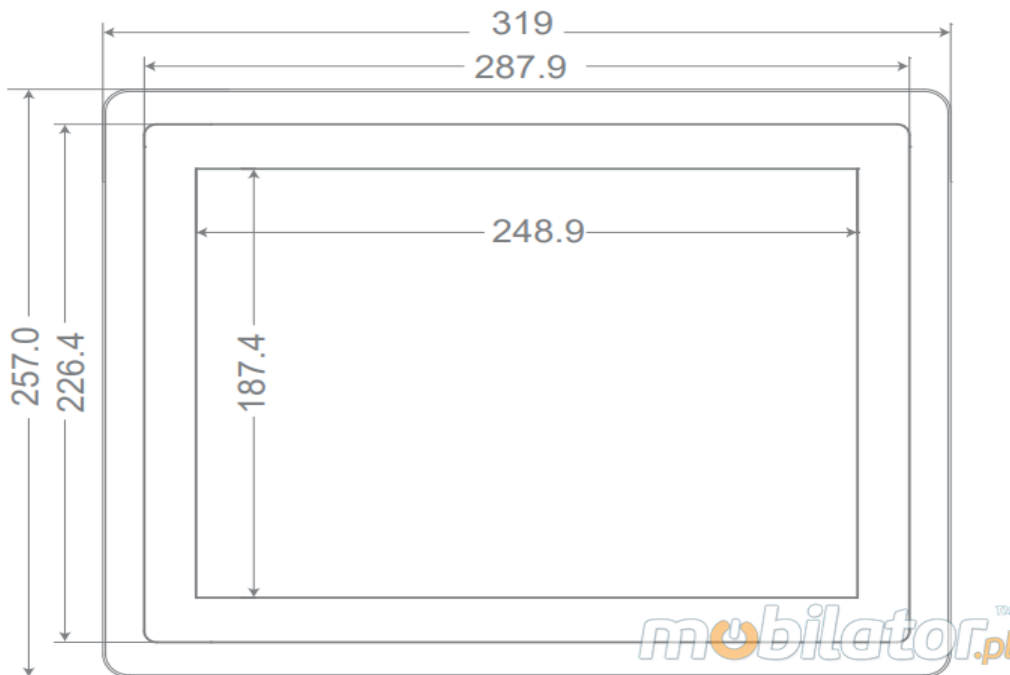


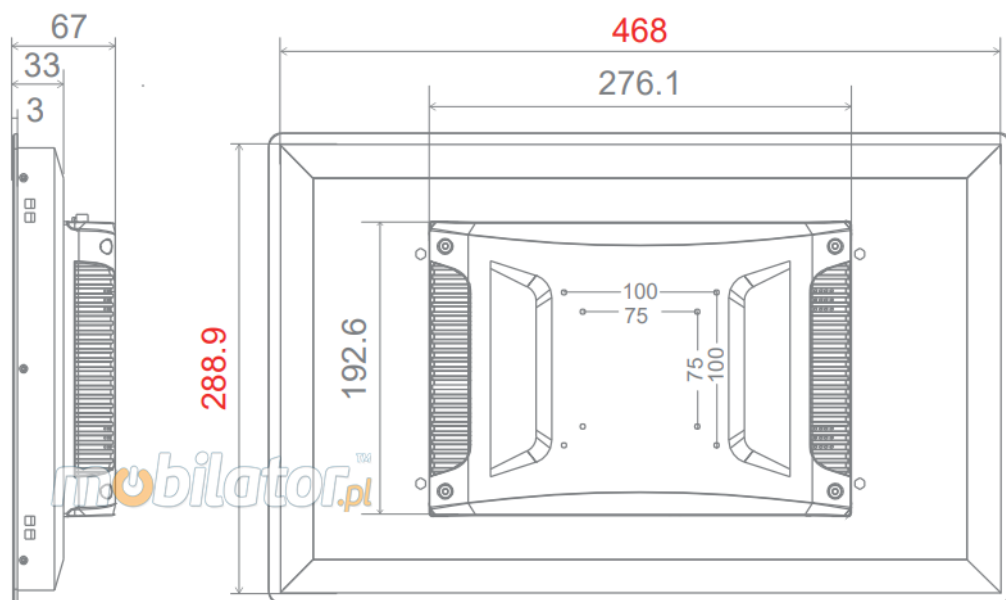
Mobilator	MoTouch 185	
		Resolution: 1920x1080 / 16:9
		LCD size: 18,5"
		Backlight: TFT LCD
		Connectors:VGA/DVI/HDMI/Audio I/O
		Screen Protection: -

	Mounting: 75mm x 75mm / 100mm x 100mm
	Built-in speakers: -
	Detailed specification of the configuration available in the " Technical data "

Dimensions:

Housing dimension are **486 x 307.4 x 67 mm**. Housing is made of high quality aluminum what ensures a very high resistance to mechanical damages. This model with weight of only **6 kg** is ready at any time for operation even in extreme conditions such as heat, cold, vibration.





[go top...](#) [menu...](#)

Connector

For proper operation of the touch controller is needed connect the monitor to the computer using the USB cable.

Connector:

Touch monitor MoTouch 185 is equipped with the essential connectors such as:

1. RJ-45 (touch connector)	3. DVI	5. Audio I/O
2. HDMI	4. VGA	6. DC-IN



Screen

MoTouch 185 With 1920x1080 resolution and high brightness of 300 cd/m2, screen of capacitive type with high sensitivity to touch, offers the user a clear picture and ease of use.

The LCD monitor has backlight TFT LCD. This technology allows for the construction and easy control of high-resolution displays, as well as obtaining much higher image quality.



Capacitive screen

Operation of this type of screen is a bit more complex than the resistive screens, but the comfort of their use is much higher. In the corners of the screen capacitive electrodes are placed emitting weak electric field. If you touch the display, the intensity produced before the field changes, and the system will calculate respectively, where the disturbance occurred.



