



NoMobi Trex Hi75 v.2 - 75 - inch outdoor standing totem with heating/cooling system, 4 GB RAM and 16 GB ROM, vandal-proof with alarm, Android system and sea delivery - 2.5 months

<b>Category:</b>	Industrial Outdoor Totems
<b>Manufacturer:</b>	Mobikator
<b>Supported Operating Systems:</b>	<b>Android Android 10</b>
<b>Installed System:</b>	<b>Android 10</b>
<b>Screen size:</b>	75 inch
<b>Resolution:</b>	1080x1920 px FHD (option 4K 2160x3840 px)
<b>Picture format:</b>	16:9
<b>Brightness:</b>	3500 Nits
<b>Display manufacturer:</b>	LG
<b>Touchscreen:</b>	None   (optional)
<b>CPU:</b>	Dual-core ARM Cortex-A72 MPCore + Quad-core ARM Cortex-A53 MPCore 2.0GHZ
<b>RAM:</b>	<b>4GB</b>
<b>Flash memory:</b>	<b>16GB</b>
<b>Disk:</b>	-

<b>Resistance standard:</b>	IP65   IK10
<b>Working temperature:</b>	-20°C - 50°C
<b>Standby Temperature:</b>	-20°C - 60°C
<b>Working humidity:</b>	10 - 90% no condensation
<b>Anti-theft protection:</b>	Anti-theft lock Anti-theft alarm
<b>Functions:</b>	content management external conversion cloud heating system (optional) cooling system LED Light BOX (optional) QR Code reader (optional)
<b>Camera:</b>	Built-in top part of the totem
<b>Speakers:</b>	YES - Stereo
<b>Scanner:</b>	None   (optional)
<b>Sensors:</b>	Dusk sensor
<b>Another:</b>	Response time in Touch LCD screen - 5ms
<b>LAN:</b>	10/100/1000 Mbits/sec Ethernet LAN
<b>3G:</b>	None   (optional)
<b>4G:</b>	None   (optional)
<b>Bluetooth:</b>	Yes
<b>Connectors:</b>	TF Slot   HDMI   USB 2.0   RJ-45
<b>Optional Equipment:</b>	-
<b>Fixing / Mounting:</b>	Screwed to the ground
<b>Power supply:</b>	AC100V 240V 50HZ 60HZ
<b>Energy consumption:</b>	250W
<b>Contrast ratio:</b>	3000:1
<b>Viewing angle:</b>	178/178 degrees
<b>Color Quantity:</b>	10-bit, 1.07 B colors
<b>Transport:</b>	<b>Sea shipping</b>
<b>Housing material:</b>	Galvanized sheet metal - powder coated
<b>Dimensions:</b>	2660mm x 1204mm x 312mm
<b>Weight:</b>	370kg

**6 823,17 €**

net price: 5 547,29 €

# NoMobi **TREX HI75"**

*Outdoor totem  
with IP65 standard*

android 



**TECHNICAL SPECIFICATIONS**

**FUNCTIONS AND MODULES**

**PROTECTION AGAINST LOW AND HIGH TEMPERATURES**

**ANTI-THEFT SYSTEMS**

**COMMUNICATION**

**APPLICATION**

**ACCESSORIES AND AVAILABLE VERSIONS**


The concept of Digital Signage covers an integrated form of system management, which includes electronic displays (digital signs, infokiosks) that present information, advertisements and other messages. Digital signage systems are used, among others, at airports, points of sale or service networks (e.g. tourism companies, real estate, city information, stations, shopping centers, etc.).

## SPECIFICATIONS

NoMobi Trex Hi75	
Processor	Dual-core ARM Cortex-A72 MPCore + Quad-core ARM Cortex-A53 MPCore 2.0GHZ
Graphic card	ARM Mali-T860
Operating system	Android 10
RAM memory	4GB
ROM memory	16GB
Display	LG 75" IPS 1080x1920 px   16:9 (Optional: 4K 2160x3840 px <sup>*</sup> )
Touch	None   (Optional: Capacitive <sup>*</sup> )
Power consumption	250W
Screen brightness	3500 Nits
Security standard	IP65   IK10
Contrast	3000:1
Input/ Output	Slot TF   HDMI   USB 2.0   RJ-45

NoMobi Trex Hi75	
Communication	WiFi BT (Optional: 4G)
Speakers	YES - Stereo
Sensors	Dusk sensor
Dimensions	2660mm x 1204mm x 312mm
Weight	370kg
Standby temperature	-20°C - 60°C
Working temperature	-20°C - 50°C
Working humidity	10 - 90% no condensation
Storage humidity	5 - 95% no condensation
Readers	None   (Optional: Mindeo ES4650 QR Code *)
LED Light Box	None   (Optional: back of device *)

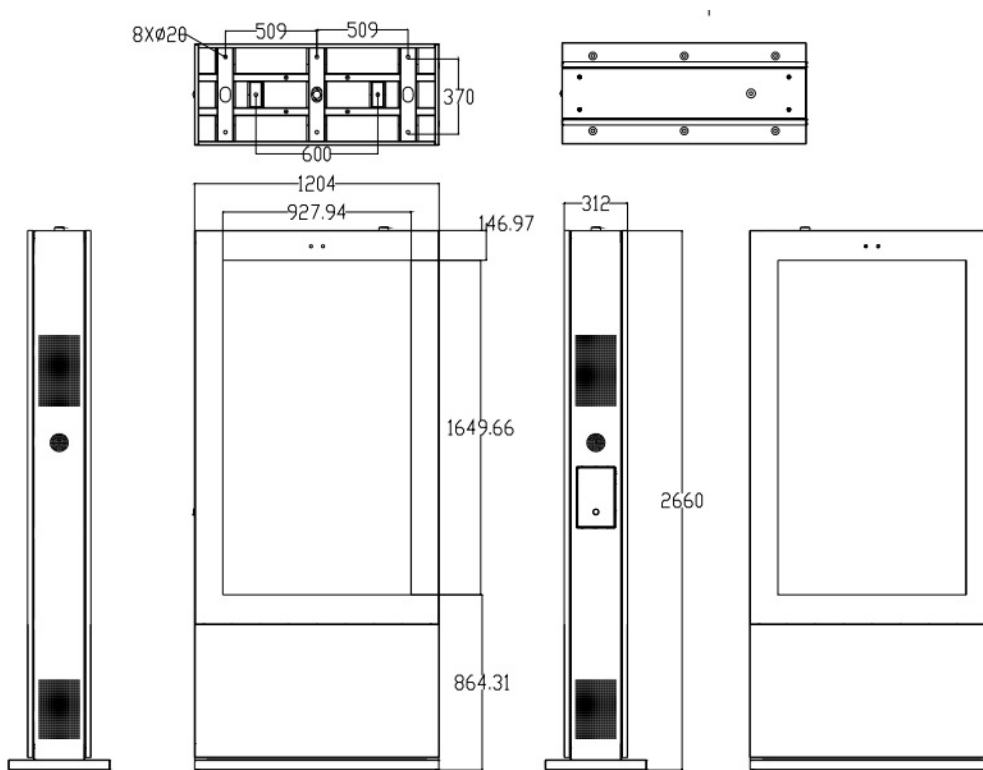
\* Optional equipment, available only in specific versions of the device or on request.

 The detailed specification of the device is available in the tab "Technical data".

## Dimensions

The panel housing with dimensions of 2660mm x 1204mm x 312mm is made of the highest quality metal covered with a galvanic coating, which ensures a very high resistance of the device to mechanical damage and severe weather conditions, rain, fog, snow and frost. This model, weighing 370 kg, is ready for

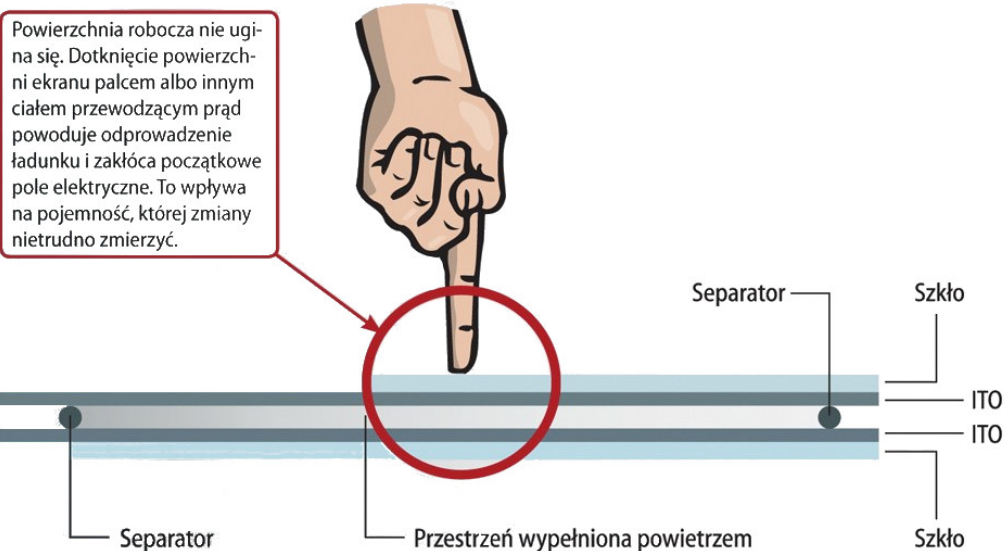
use at any time, even in difficult conditions such as heat or cold. Digital Singage Player - Android 75 inch Advertising and information totem NoMobi Trex is a series of devices designed for applications requiring continuous operation - 24 hours a day, 7 days a week.



## Szczegóły produktu



Capacitive screen (optional)



In a capacitive screen, the reaction of the device is not to directly press the surface of the screen, but to change the electrostatic field in the place where the device has been touched. This allows for a much more precise operation and gentle strokes on the screen. In addition, we can use multitouch technology, i.e. the ability to control our totem with several fingers at the same time.

### LG LCD Display

The external industrial displays use screens from the global manufacturer of LG. These screens are of high quality. The nuch image is displayed very clearly and full of color depth.



The screen in advertising totems can have different brightness applied:

Brightness	Contrast
2500 nits	3000:1

3000 nits	3000:1
3500 nits	3000:1
4500 nits	4500:1
5000 nits	4500:1



In order to imagine and compare the brightness of the recommended screen brightness, data on LCD screens in various places have been completed.

Industry	Place	Recommended brightness
Aviation industry	Departure hall	700 – 2,500
	Departure gates	700 – 2,500
	Check-in location	600 – 2,500
Office	Corridors	350 - 500
	Meeting rooms	350 - 800
	Conference room	400 – 1,000
	Reception	500 – 1,600

Industry	Place	Recommended brightness
Office	350 - 800	
Atrium	700- 2,500	
Cinema	Lobby	400 – 2,500
	Advertisement window	1,700 – 2,500
	Roof	2,500
	Outside	2,500
Education	Corridor	350 - 600
	Classroom	350 - 800
	Auditorium	400 – 1,600
Hospital	Entrance	700 – 2,500
	Reception	500 – 1,600
	Stairs/corridors	350 - 500
Museum and Sport	Sport hall	400 – 1,600
	Museum	400 – 1,600
Gastronomy	Restaurant windows	1,700 – 2,500
	Totem with menu	350 - 800
	Newsstands	500 – 900
	Drive-thru menu	2,500
Hospitality	Outside	2,500
	Stall	500 – 2,500

Industry	Place	Recommended brightness
Sport hall	500 – 1,600	
The retail trade	Outside stall	1,700 – 2,500
	Entrance	600 – 1,600
	Pharmacy	500 – 1,600
	Retail store	500 – 1,000
	Supermarket	500 – 900
	Rooms	600 – 2,500

Dusk sensor

The task of the dusk sensor is to measure the value of illumination around the totem. This sensor adjusts the brightness of the screen to the conditions outside. Thanks to it, the screen is readable on a sunny day and at night. This also affects the consumption of electricity, because the sensor regulates the screen backlight, reducing the amount of electricity consumption. The selection of the appropriate brightness of the screen at night does not blind, for example- road users, if the totem is placed near it.



4K screen (Optional)

The 4K screen provides a unique experience thanks to its high resolution, which is 2160 horizontal pixels and 3840 vertical pixels. This gives a total of about 8.3 million pixels, which will make the image displayed on the screen much more real.



4K totems have four times the pixels of traditional Full HD (1080x1920) displays. Even on screens of the same size, the 4K image becomes more vivid and detailed thanks to the higher pixel density. This difference is especially noticeable with large screen wards. For example, when comparing the quality of a traditional 65-inch Full HD display with a 65-inch 4K screen, we will notice a difference in the pixels that make up the image. In high-resolution devices, pixels are smaller than in screens of the same size but with lower resolution. Thanks to this, we experience intense impressions without restrictions - we watch all the content up close and you do not notice individual pixels.



#### Security certificate IP65

The IP standard determines the degree of protection provided by the housing of an electrical device against such factors as: access to hazardous parts inside the housing, the ingress of foreign solids, as well as splashes or immersion.

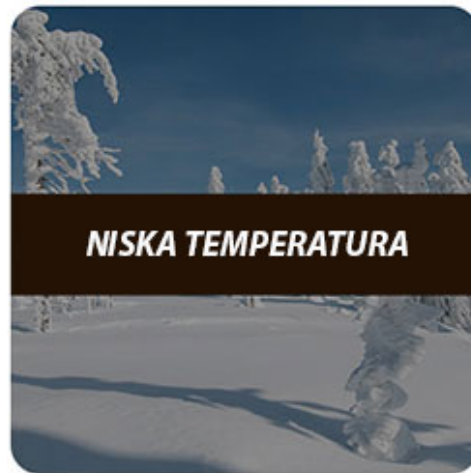
<b>IP6X</b>	Protection against access to hazardous parts by wire. Dustproof protection.
<b>IPX5</b>	Protection against water jets (12.5 l / min) poured on the housing from any side



### Temperature and working humidity

NoMobi Trex is adapted to continuous operation both at very low and high temperatures in the range from  $-20^{\circ}\text{C}$  to  $50^{\circ}\text{C}$ . If the device is turned off, it can cope with temperatures ranging from  $-20^{\circ}\text{C}$  to  $60^{\circ}\text{C}$ . In addition, the durable LCD totem is perfect for conditions with increased humidity, ensuring proper functioning even in the case of 90% relative air humidity.

<b>Working temperature</b>	$-20^{\circ}\text{C}$ to $50^{\circ}\text{C}$
<b>Storage temperature</b>	$-20^{\circ}\text{C}$ to $60^{\circ}\text{C}$
<b>Working humidity</b>	10% do 90% no condensation
<b>Storage humidity</b>	5% do 95% no condensation



## FUNCTIONS AND MODULES

### Content management

Optionally, the manufacturer also provides specialized software for remote management of the displayed content on the monitors. Thanks to this solution, the user can use one computer to control and update the content on all monitors connected to the network (Wi-Fi, RJ-45 LAN or 4G). The software also allows you to modify the layout of the displayed information, so that many components can be displayed on the screen at the same time.



The advertisement features a white digital display on the left showing a woman. To its right is a server rack with three units and a blue server tower. Below the server rack is a laptop and a smartphone, both displaying a website. Wireless signal icons connect the display to the server rack and the server rack to the laptop and smartphone. The background is split into a light grey top and a green bottom.

- Wymienialny filtr wewnętrzny
- Wyświetlacz statusu błędów
- Zdalna kontrola

**mobilator**.pl<sup>TM</sup>

# Zewnętrzna chmura konserwacyjna

Gdziekolwiek, kiedykolwiek, Cokolwiek

- Monitoring
- Rozwiązywanie problemów
- Samochrona
- Utrzymywanie ekranu



Below is a photo from the management panel, in which you can control, among others: fan speed, temperature or humidity analyzer.



Barcode scanner (option)



*Skannery kodów 2D*

**MINDEO**  
**ES4650**

Barcode Reader allows you to read, decode and transfer stored data in barcode to your computer. Thanks to dynamic scanning method and the large range of reading, device is capable to carefully collecting data, which helps to increase the rate and efficiency of work. Simplified installation procedure, convenient and intuitive design allow to start scanner work very easy and quickly.

**PROTECTION AGAINST LOW AND HIGH TEMPERATURES**

Heating system

The optionally installed heating system available in the device ensures the stability of the standing totem by maintaining the same temperature. The mechanism of operation is based on heating the device from a temperature of e.g. -30 °C do -10°C, in which the device functions properly. The system is recommended for temperate or transient climates in order to optimize the operation of the standing totem.

### Cooling system

A heat exchanger is installed in the device to cool the device at high temperatures, so that the outdoor totem can function in heat and sun. The cooling system allows the display to work properly in summer and the ads will be visible. For example, if the device starts to heat up to 60 °C is a mounted fan, by increasing the speed of rotation, the totem will cool down to a temperature below 50°C, thanks to which the device will be able to function properly.



## ANTI-THEFT SYSTEMS

### Anti-theft system and alarm

The outdoor standing totem has an anti-theft lock inside the device. In addition, the panel is screwed through the support to the base with screws, preventing quick disassembly. In addition, the device is equipped with a special alarm.



IK10 degree of protection

IK is a mechanical strength classification. It is defined in the European standard EN 62262, as well as its international equivalent, i.e. IEC 62262: 2002. It is used as a parameter that determines how resistant the devices are to impacts and other external mechanical damage, we mean the so-called vandal resistance.

The devices are marked with the letters IK and two numbers - appropriate on an 11-point scale (from "00" to "10"). The higher the numerical value of the IK parameter, the better the level of mechanical strength.

IK classification level	Impact force
10	Resistance to impact with an energy of 20 J

## COMMUNICATION

4G (optional)

The standing totem with an LCD screen is equipped with a WiFi module, optional 4G. In addition, the totem has a module that allows you to track the position.



#### Wireless Wi-Fi network

The dual-band Wi-Fi module provides quick network access wherever you can connect to secured or open Wi-Fi networks. It is a convenient solution for people who have a router and a wireless network in their place of work or residence, which can be used at no additional charge. The device has been equipped with the latest standard of this technology - 802.11n, which allows you to transfer files at dizzying speeds up to 150 Mb / s.

<b>Standards</b>	802.11(b/g/n)
<b>Frequencies</b>	2.4G + 5.8G (Dual-Band)

The LED Light Box is a translucent surface illuminated from the back by LED lights, used in situations where the shape located on the surface must be visible with high contrast. It can be located on the rear flap of the device. You can place an advertisement or information there, which will also be visible at night thanks to the backlight.

## APPLICATION



NoMobi Trex is a modern, dynamic form of advertising and interactive matrix that allows you to stand out from the competition and arouse interest among recipients traveling by car, bicycle or walking. This solution enables remote control of the network of monitors from one central device. In addition, it is possible to integrate such a device with the company's database applications, which allows for full automation of displayed messages, thanks to this solution the recipient always has access to up-to-date data. Despite being a relatively new form of communicating information, NoMobi Trex is slowly but

surely replacing older, static forms of advertising such as posters, banners, banners, leaflets or interactive panels in restaurants.



Wards come in many different forms and can be used for almost any purpose. We can find advertising monitors at places such as airports, shops, hotels, service establishments, shopping centers, stations, restaurants, tourist offices and in other smaller or larger companies. Their use will certainly attract the customer's attention, introduce an atmosphere of modernity and originality to your business, and allow you to stand out from other corporations.

Thanks to its versatility and durability, NoMobi Trex can be easily adapted to any type of business and can fulfill its functions in difficult weather conditions. Examples of places and ways of using systems of this type are:

#### Trade and services

The retail industry is the main recipient of this type of devices, NoMobi Trex can be used here to present prices, products, build a brand, inform about promotions or direct traffic to the facility with the selected product. Touch

kiosks or LCD totems can also be used to interact with the client. The optional touch screen allows you to create responsive catalogs, thanks to which people can better familiarize themselves with the displayed offer.



### Hospitality and gastronomy

In such places, NoMobi Trex can be used not only for commercial purposes, but also for informational purposes, such as menu presentation, service promotion, information about available rooms, room reservations, etc. Standing totems can be an alternative to placing gastronomic orders in Drive-type restaurants. Thru.



## Industry

In places related to the industry, standing totems can display order boards, production information, information for employees, as well as monitor devices, keep execution lists. Tactile NoMobi Trex can be used to organize interactive fire, health and safety and other tests.



## Offices and institutions

Here, just like in the industry, totem systems mainly perform information functions, they can display messages, notifications, but also present advertisements (e.g. job offers) or even help with customer service. They turn out to be a convenient alternative to interpersonal contacts, where an external standing totem can help with performing certain functions or obtaining data sought by people.



## Education

In places of study, NoMobi Trex create a modern information network displaying a message about, for example, a certain research facility. The possibility of a touch screen means that pupils, students and other groups of people can easily learn more about bothering and interesting topics.



## AVAILABLE VERSIONS

The NoMobi Trex standing totem is offered in several versions tailored to different needs. By clicking on the number of the hardware configuration you will be redirected to the product with the parameters given in the table below. In addition, at the customer's request, it is possible to create a configuration currently unavailable in the offer.



More photos of the device are available in the tab [Gallery](#).

	v.1	v.2	v.3	v.4	v.5	v.1.1
2500 nits	+	-	-	-	-	+
3500 nits	-	+	-	+	-	-
4000 nits	-	-	+	-	+	-
4G	-	-	+	-	+	-
4K	-	-	-	-	-	+
Dotykowy ekran pojemnościowy	-	-	-	+	+	-
Mindeo ES4650 QR Code	-	-	-	-	-	-
Sea transport	+	+	+	+	+	+
	v.2.1	v.3.1	v.4.1	v.5.1	v.5.2	
2500 nits	-	-	-	-	-	
3500 nits	+	-	+	-	-	
4000 nits	-	+	-	+	+	
4G	-	+	-	+	+	
4K	+	+	+	-	+	
Dotykowy ekran pojemnościowy	-	-	+	+	+	
Mindeo ES4650 QR Code	-	-	-	+	+	
Sea transport	+	+	+	+	+	