



Robust Industrial Data Collector with the IP65 - WINMATE E500RM8 standard v.5

Category:	UMPC - Ruggedized
Manufacturer:	Winmate
Operating System:	Android 5.1
Brightness:	500nit
Processor:	ARM® Cortex™-A53 Octa-core 1.3 GHz
Memory:	2GB RAM
Hard Drive:	16GB eMMC
Touch screen:	Touch Projective CapacitiveMulti-Touch
Durability:	MIL-STD 810G
Drop:	MIL-STD-810G Metod 516.6
Shock:	MIL-STD-810G Metod 516.6
Vibration:	MIL-STD-810G Metod 514.6

Temperature:	Operating temperature: -10°C - 50°C (Bateria) / -20°C - 60°C (AC) Storage temperature: -40°C - 70°C
Humidity:	95% non-condensation
1D barcode scanner (reader):	MOTOROLA SE4500 (1D/2D - IMAGER)
2D barcode scanner (reader):	MOTOROLA SE4500 (1D/2D - IMAGER)
RFID scanner (reader):	NFC (13.56Mhz)
Other:	Fingerprint Scanner Sensors:Light SensorProximity SensorG-sensorDigital Compass
Battery:	3900 mAh Li-Ion (3.7V)5V/1A AdapterUSB Adapter
Working time on battery:	12-15hr (Backlight at 10% duty cycle, default level, idle)
Fast battery replacement ability:	Tak
HotSwap battery:	Option
LAN:	-----
WLAN:	Yes - 802.11 a/b/g/n
Bluetooth:	Yes - Bluetooth V4.1
WAN:	Yes - 4G
GPS:	Yes - Built-in
Camera:	Front: 2MpxRear: 8Mpx + LED + Autofocus
In/Out:	1x - Micro USB : 2x - SIM : 1x - Micro SD : 1x Power Jack
Optional accessories:	Charging Dock 2 bay Charging Dock 6 bay Battery Charging Dock 2 bay Battery Charging Dock 6 bay Battery
Docking station connector:	No
VESA standard – holders and mounts support:	No
COM port:	No
Magnetic card reader (MSR):	No
Microchip card reader:	No
Contrast:	800:1
Graphics card:	-----
Chipset:	-----

BIOS:	-----
Casing material:	plastic
Flash Card Reader:	microSD (max.32GB)
CD/DVD:	-----
Audio:	Built-in Microphone : Speaker 1.2W
Keyboard:	No
Additional Navigation Devices :	Function keys:Volume - +Power button2x Function button
Color:	black
Swivel Hinge:	-----
VGA out:	-----
TV Out:	-----
TV Tuner:	-----
Security:	Gum case
Waterproof:	IP 65
Sand and dust:	IP 65
Size:	85.9 x 163.2 x 22.5 mm315g
Fanless casing:	Yes

Product from the Archive - production finished

WINMATE E500RM8



Founded in 1996 in Taiwan, the company Winmate achieved an excellent reputation as a manufacturer of industrial LCD displays and laptops. Due to the high position of the products in the high-tech, have won many awards in tests conducted around the world.



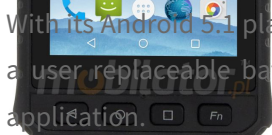
- Android 5.1

- Multiple wireless communications option

- Support for 1D/2D Barcode Reader

- Robust battery

- Industry and military standards



With its Android 5.1 platform, 1D/2D scanner, RFID reader, dual cameras, sunlight-readable 5-inch capacitive touchscreen, and a user-replaceable battery design, the E500RM8 rugged handheld streamlines data collection and operations in any field application.

Specification

Processor	ARM® Cortex™-A53 Octa-core 1.3 GHz
Display	5" (1280x720) Capacitive : Multi-touch
RAM	2GB SDRAM
ROM	16GB eMMC
Connectors	Micro USB : SIM : Micro SD (max. 32GB)
Audio	Built-in Microphone : Speaker 1.2W
Keys	Volume +/- Power 2xDefine button Home Menu ESC Define button
Battery	3900 mAh Li-Ion (1S2P)
Camera	Front: 2Mpx Rear: 8Mpx + LED
Sensors	Light, Proximity, G-Sensor, Digital Compass
Readers (optional)	1D/2D : Smart Card Reader : Fingerprint
Modules	WiFi : NFC : Bluetooth V4.1 : 3G : 4G
Operating system	Android 5.1 (multi-language)

Refer to the "Select version for yourself" that possibility is a version of the device. To gain additional information about the product click on the "Ask about the product" or go to the contact form.



	v.1	v.2	v.3	v.4	v.5	v.6	v.7	v.8	v.9	v.10
2D Motorola SE4500	—	+	+	+	+	+	—	+	+	+
Hotswap Battery	—	—	+	—	—	—	+	+	+	+
4G LTE	—	—	—	+	+	+	+	+	+	+
Smart Card Reader	—	—	—	—	—	+	—	—	—	+
Fingerprint Scanner	—	—	—	—	+	—	—	—	+	—

Accessory

One difference between consumer devices and those designed for deployment in enterprise and vertical markets that's often overlooked is the availability of supporting accessories and peripherals. For consumer devices, all that's available may be a USB charging cable — definitely not a solution that would work for rugged equipment customers. Winmate knows that and offers not only a dedicated dual battery charger that shows charging level, but also a clever daisy chainable charging dock.





Barcode Scanner



Unlike consumer smartphones that may be able to scan using their integrated cameras, professional quality devices such as E500RMB are industrial grade scanners. Depending on the intended use, Winmate offers standard 2D scanner for indoor/outdoor use, or a Motorola 2D scanner with extended symbology support. From retail and healthcare to warehouse and logistics, Winmate E500RMB with various options of the scan engine can boost productivity and efficiency immediately.

1D/2D

Model	Motorola SE4500
Scanner type	2D (CMOS)
Codes (1D)	UPC/EAN, Code 128, Code 39, Code 93, Code 11, Interleaved 2 of 5, Discrete 2 of 5, Codabar, MSI, Chinese 2 of 5, Matrix 2 of 5, Korean 3 of 5, Postal codes, GS1 DataBar, Composite
Codes (2D)	QR Code, Data Matrix, PDF417, Maxicode, Aztec

Smart Card Reader (optional)



Handheld device equipped with Smart Card Reader is a compact, ergonomic, and rugged solution for a wide range of applications where information security is a priority – medical identification, e-government and e-commerce applications, digital signage and identification. The device securely inputs the sensitive data from ID card to the system and guarantees the safety and confidentiality of information.

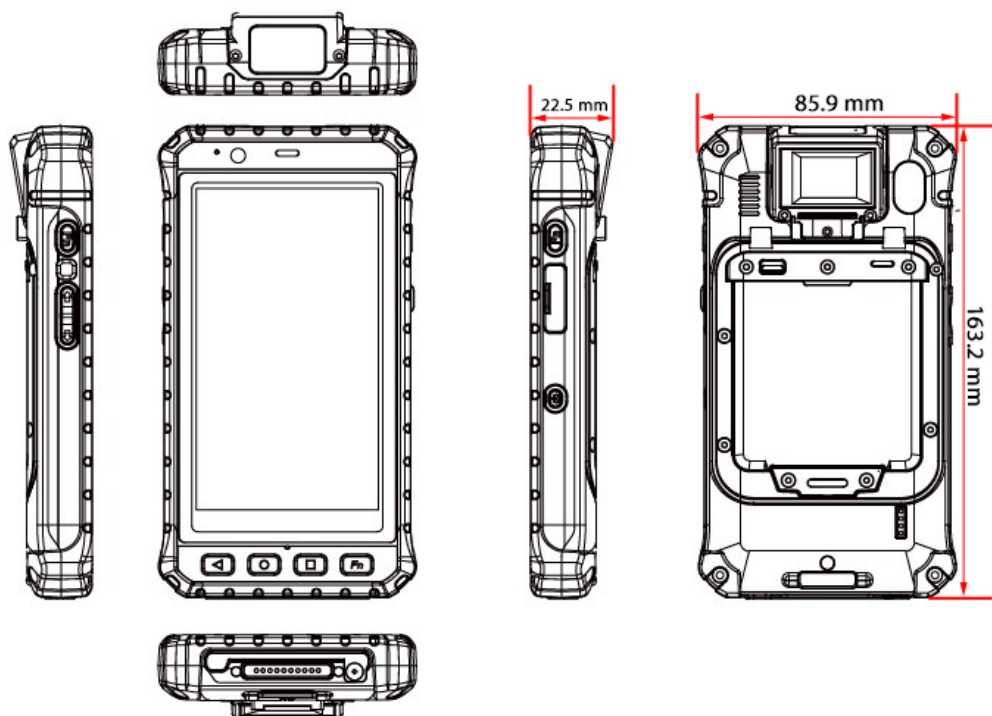
Fingerprint Scanner

In the areas where the work content varies by confidentiality degree, the importance of information security arise. Fingerprints taken using the handheld device provide access for the information only to authorized personnel, significantly improving information management system on the field.



Modules and Wireless Networks

NFC	13.56Mhz
WiFi	802.11 a/b/g/n
Bluetooth	Bluetooth Class 4.1
GPS	Wbudowany (u-blox NEO-6Q)
3G	GSM / GPRS / EDGE / WCDMA / HSDPA / HSUPA
4G	LTE



In addition to standard Bluetooth and Wi-Fi, the E500RM8 handheld offers optional GPS and 3G asset tracking and real-time data transfer. Whether indoor or outdoor, the E500RM8 handheld provides a wide of robust communications options.

[go top...](#)



Featuring a user replaceable battery design with simple latch system, E500RM8 handheld can support continual operation on the field without down time. The replaceable battery also features high capacity at 3900mAh for extended use.

Standards

Operating temperature	-10°C -- +50°C (Battery) -20°C -- +60°C (AC)
Storage temperature	-30°C -- +70°C
Humidity	95% non-condensation
Dust	IP6x (dust)
Water	IPx5 (water)
Vibration	MIL-STD-810G M514.6
Drop	MIL-STD-810G Method 516.6, 4 ft, Free to concrete
Regulatory	CE, FCC, UL, CCC

[go top...](#)

Odporność sprzętowa IP65



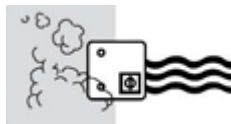
Sealed to IP65, the E500RM8 handheld is built to withstand harsh environments, protected against water and dust. Compliant with MIL-STD-810G, it can operate in extreme temperatures ranging from -10°C to 50°C and endure shock, vibration and 4-foot drops.

The first digit [x]

Protection against solid objects

Complete protection against contact, Protection from infiltration of dust

6



The second digits [y]

Protection against liquids

5

Protection from water projected from a nozzle

[go top...](#)