



Rugged Handheld Winmate R03S370-BR

<b>Category:</b>	UMPC - Ruggedized
<b>Manufacturer:</b>	Winmate
<b>Operating System:</b>	Default: Win CE6.0 (optional: Linux2.6 or Android 2.2)
<b>Display:</b>	3.7" (480x640)
<b>Brightness:</b>	400nit
<b>Processor:</b>	TI Cortex A8 OMAP 3530 600MHz
<b>Memory:</b>	256MB DDR
<b>Hard Drive:</b>	512MB Flash
<b>Touch screen:</b>	Yes - Resistive
<b>Durability:</b>	MIL-810F
<b>Drop:</b>	MIL-STD 810F Method 516.5

<b>Shock:</b>	MIL-STD 810F Method 516.5
<b>Vibration:</b>	MIL-STD 810F Method 514.5
<b>Temperature:</b>	Operating temperature: -30°C - 60°C / -4°F - 140°F, Storage temperature: -40°C - 71°C / -40°F - 160°F
<b>Humidity:</b>	95% non-condensation
<b>1D barcode scanner (reader):</b>	Yes
<b>2D barcode scanner (reader):</b>	Yes
<b>RFID scanner (reader):</b>	No
<b>Other:</b>	2D barcode reader (1D option), Fanless
<b>Battery:</b>	Li-Ion 5000mAh 3.7V
<b>Working time on battery:</b>	9h
<b>Fast battery replacement ability:</b>	Yes
<b>HotSwap battery:</b>	Yes
<b>LAN:</b>	No
<b>WLAN:</b>	Yes WiFi b/g/n
<b>Bluetooth:</b>	Yes (2.1+ EDR)
<b>WAN:</b>	No (Option)
<b>GPS:</b>	Yes (SiRF based solution)
<b>Camera:</b>	Yes - 3MPx
<b>In/Out:</b>	1xRS232, 1xmicroUSB, 1xDocking station slot, DC
<b>Optional accessories:</b>	-----
<b>Docking station connector:</b>	Yes
<b>VESA standard – holders and mounts support:</b>	No
<b>COM port:</b>	Yes
<b>Magnetic card reader (MSR):</b>	No
<b>Microchip card reader:</b>	No
<b>Contrast:</b>	-----
<b>Graphics card:</b>	-----
<b>Chipset:</b>	-----
<b>BIOS:</b>	-----
<b>Casing material:</b>	plastic
<b>Flash Card Reader:</b>	Yes (SDIO/SDHC max.16GB)
<b>CD/DVD:</b>	No
<b>Audio:</b>	1.2W - Mono

<b>Keyboard:</b>	No
<b>Additional Navigation Devices :</b>	No
<b>Color:</b>	Sand - Black
<b>Swivel Hinge:</b>	No
<b>VGA out:</b>	No
<b>TV Out:</b>	No
<b>TV Tuner:</b>	No
<b>Security:</b>	Gum case
<b>Waterproof:</b>	IP 67
<b>Sand and dust:</b>	IP 67
<b>Size:</b>	179 x 99 x 38 mm / 480g
<b>Fanless casing:</b>	Yes

## Product from the Archive - production finished



## Menu

Description

Functionality

Use

Resistance standard

Certificate



Founded in 1996, **Winmate** has achieved a fine reputation as a developer and manufacturer of rugged computers and industry panel LCD. Due to our product positioning in the high-tech and niche market, we have won many honors in computer product evaluation conducted throughout the world.



**WINMATE** PCs are ideal gadget for mobile professionals. They enable you to take notes quickly and work in close spaces. Rugged Tablet PCs provide even more benefits for mobile professionals. **R03S370** is fully rugged and is certified for both military and industrial ruggedization standards.

## Description



With RFID



Standard



With Barcode Reader

## Guarantee

Winmate corporation give 2 years standard guarantee.  
Optional possibility 1 year or 3 years.



## Case and size

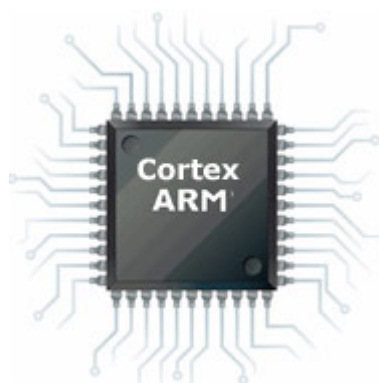
Integrated GPS (SiRF based) solution, LCD (touchscreen and digitizer). In addition, IP67 certified design case, helps to ensure that the **R03S370** will stand up to the most rigorous environments.

## Communications

Winmate supports the state of art wireless network feature. It basically supports the wireless LAN 802.11 b/g/n, Bluetooth has built-in option GPS and optional 3G HSDPA module. The great expansion of WiFi technologies to wireless connect to the Internet both in professional and domestic settings through the public or private hot-spots, make your **R03S370** an inseparable resource for your daily activities. You can enjoy the use of various wireless networks and wireless Internet to your heart's content with UMPC R03S370 at any time and place where the wireless Internet environment is established.



## Processor and chipset



Winmate is supported TI Cortex A8 OMAP 3530 600MHz processor, thanks to what it is unusually energy-saving, keeping near this large efficiency of work.

[list of content...](#)

[go top...](#)



## Screen

**R03S370** ships standard with a transfective sunlight viewable 3.7" LED 640x480 screen, ideal for high ambient light conditions standard 400nits. A built-in touch screen allows finger-touch inputs directly on the screen or the use of stylus pen for data input capability.



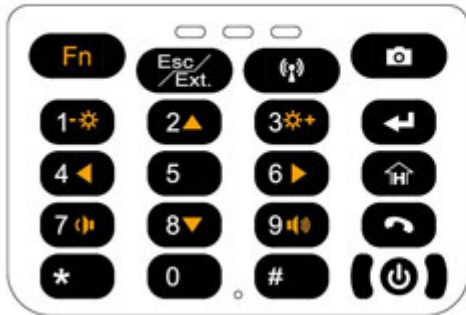
## Function Hot-Swap:



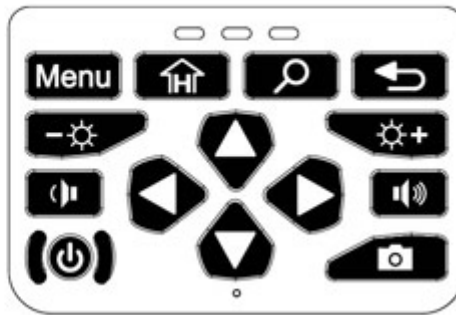
Everyone wants as much processing speed as possible, especially in mobile units. The battery life of our Rugged Tablet PC has been extended by our new function to change the second battery without shutting down your system. We believe it will bring immense benefits and reliability in your mobile application.

Default	Windows CE 6.0 Professional(R3)
	Number Key Pad
Optional OS	Android 2.2(kernel 2.6.32)
	Smart Key Pad

• **Number Key Pad**

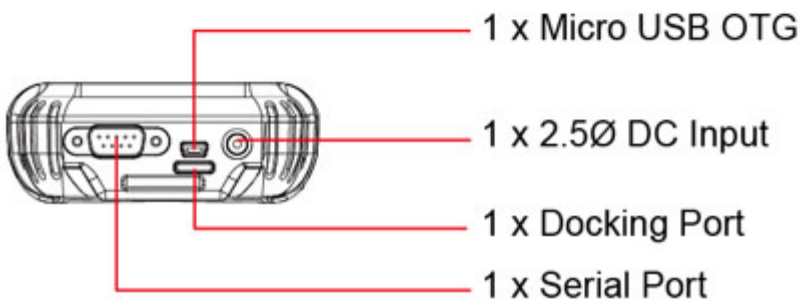
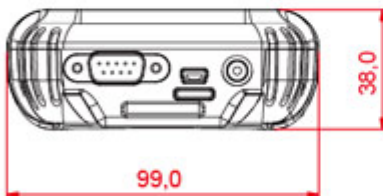
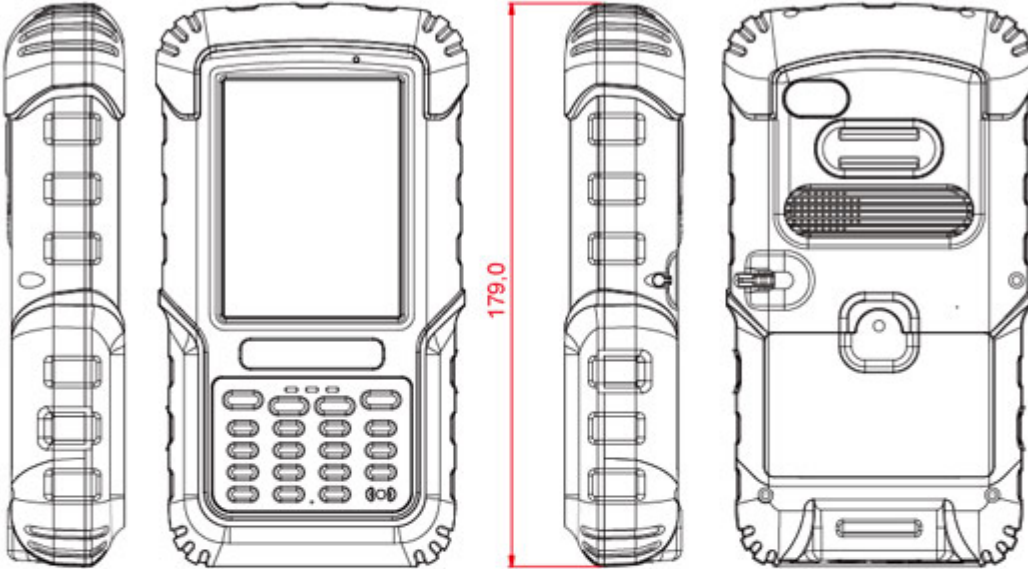
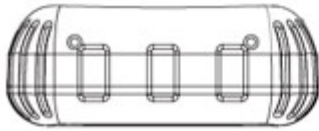


• **Smart Key Pad**



## Functionality

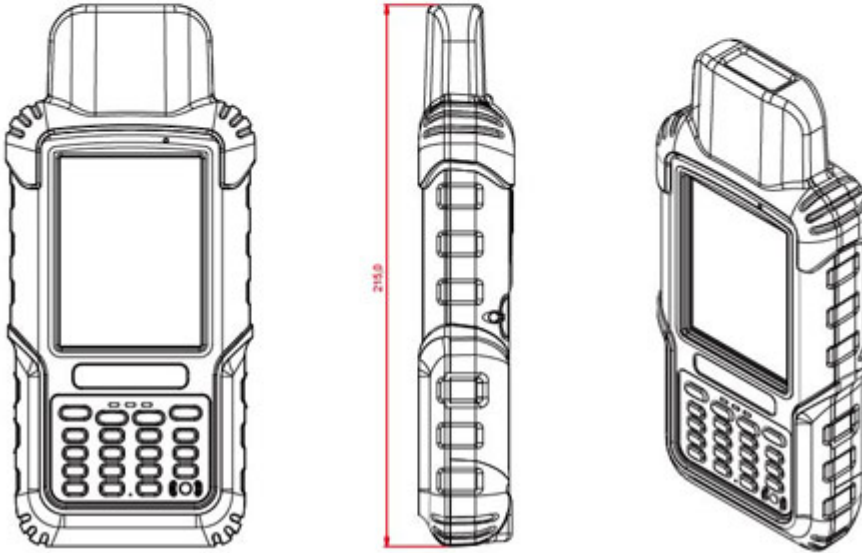




◆ 2D Barcode Reader Specification

Barcode Reader : 2D Scan Module Support QR Code / Data Matrix / PDF417 / Maxicode / Aztec

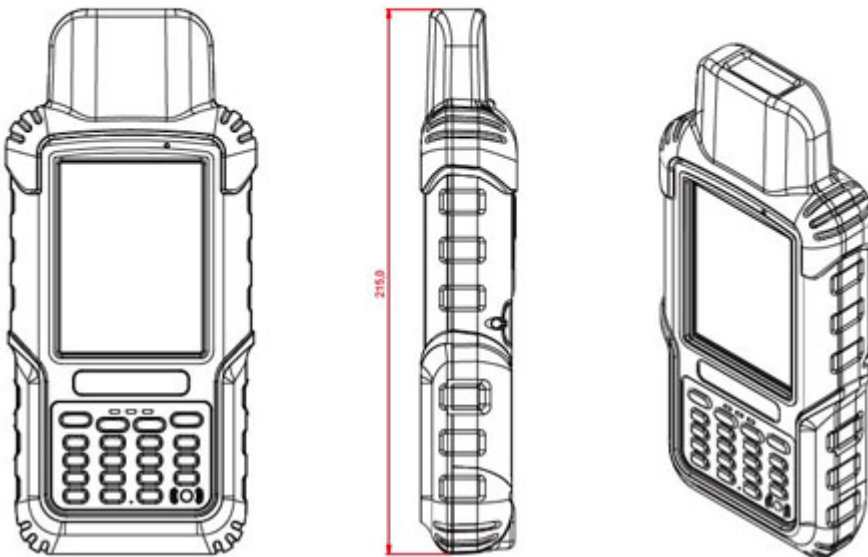
Barcodes	Density (mil)	Near (mm)	Far (mm)
Code 39	5	55	115
Code 39	10	30	215
PDF417	5	50	105
PDF417	10	30	215
QR Code	10	25	135
QR Code	15	25	210
Datamatrix	10	25	150
Datamatrix	15	20	220



◆ RFID reader Specification

RFID Reader : Support ANSI/ISO14443A Card Type(13.56 MHz Frequency)

Reference Standards:	ANSI/ISO Standards 14443A
Operating Frequency:	13.56MHz
Scan Field	5CM



Use

The **R03S370**, rugged tablet is ideal solution for Government; industrial/commercial customers who are interested in the ability to work in rough environments yet maintain productivity without the risk of data or performance losses.

#### Public Health Services



With Winmate 3.7" Handheld, doctors are able to quickly tracking patients medical records or diagnostic information with barcode reader without going back and forth between offices and wards. The compact size of 3.7" Handheld makes medical workers easier to carrying light-weight computer around and increasing work efficiency.

#### High Mountain Engineering

For high mount engineering which requires multi-functional devices for all kinds of harsh environments, 3.7" Handheld assists engineers to utilize digital compass to determine direction as well as altimeter to estimate altitude. In addition, the digital camera with auxiliary LED backlight allows them to take photos during night time or dim environments.



#### Warehousing



In warehousing industry, users are able to obtain product and inventory information by using

RFID reader of 3.7" Handheld and transfer data back to the office with built-in 3G and WLAN.

## Mining Industry

Miners are frequently requested to work in high-temperature and inconvenient place. 3.7" Handheld optimizes all functions in a wide range of temperature from -30°C to 60°C. Furthermore with digital compass helps miners determine the right direction under ground.



## Public Safety And Security



In public safety industry, workers perform their works efficiently with the design of MIL-STD-810F and IP67 of 3.7" Handheld under harsh environments. Through 3G communication, workers can constantly report working status to office. Ensuring service level of public institution.

## Resistance standard

The following is a top-level introduction to US Military standard **MIL-STD-810F**, used to define the testing methodology for, and results required for acceptance of, rugged equipment.

MIL-STD-810F is a series of performance and manufacturing guidelines set by the US Department of Defense for military and commercial equipment and applications. These guidelines specify allowable parts and environmental condition ranges in which a device must be able to operate to meet compliance.

MIL-STD 810F is a generally accepted standard of ruggedisation testing and compliance for mobile computers and equipment.

The MIL-STD-810F test method is used to generate confidence in the environmental worthiness and overall durability of 'material system' design. The testing process follows guidelines, which include program documentation, program roles, test standards, and laboratory test method guidelines for all categories.

The laboratory test methods are broken down into 24 categories and thereafter procedures (specific tests or levels) appropriate to the environment in which the equipment is expected to be used. The compliance test categories are shown overleaf.

## Certificate



---

**Dictionary:**

**Nit** - 1Nit = 1Candela - The candela is the luminous intensity, in a given direction, of a source that emits monochromatic radiation of frequency  $540 \times 10^{12}$  hertz and that has a radiant intensity in that direction of  $\frac{1}{683}$  watt per steradian. The definition describes how to produce a light source that (by definition) emits one candela. Such a source could then be used to calibrate instruments designed to measure luminous intensity.

The candela is sometimes still called by the old name candle, such as in foot-candle and the modern definition of candlepower.