



Strengthened Mobile Terminal with a built-in thermal printer and 1D laser scanner - MobiPad Z3506CK NFC v.2

Category:	UMPC - Ruggedized
Manufacturer:	Mobilator
Operating System:	Android 5.1
Display:	3.5"(320x480) - capacitive Gorilla Glass
Brightness:	-----
Processor:	Mediatek MT6580 Quad-core 1.3 GHz
Memory:	1GB
Hard Drive:	-----
Flash Memory:	8GB
Touch screen:	Yes
Durability:	IP65
Drop:	1.2 meters
Shock:	-----
Vibration:	-----

Temperature:	Operating temperature: -15°C -- +60°C Storage temperature: -20°C -- +70°C
Humidity:	0 - 90% (no condensation)
1D barcode scanner (reader):	1D Mindeo
2D barcode scanner (reader):	Optional
RFID scanner (reader):	NFC (13.56MHz) ISO 14443 A, ISO 14443 B, ISO 15693Mifare
Other:	-----
Battery:	3.7V 3100mAh Li-Ion
Working time on battery:	>9 hours
Fast battery replacement ability:	Yes
HotSwap battery:	-----
LAN:	No
WLAN:	802.11 b/g/n
Bluetooth:	Bluetooth 4.0
WAN:	3G WCDMA UMTS900/1900/2100 and GMS
GPS:	Built-in
Camera:	5Mpx (8Mpx opcjonal)
In/Out:	1 x microUSB 2.0, 1 x Micro SD(max.32GB), 1 x SIM, 1 x PSAM
Optional accessories:	-----
Docking station connector:	Tak
VESA standard – holders and mounts support:	-----
COM port:	Nie
Magnetic card reader (MSR):	-----
Microchip card reader:	-----
Contrast:	-----
Graphics card:	-----
Chipset:	-----
BIOS:	-----

Casing material:	high quality plastic and rubber
Flash Card Reader:	microSD (max. 32GB)
CD/DVD:	-----
Audio:	Built-in Speaker : Microphone
Keyboard:	Alphanumeric (+ function keys) : On-screen
Additional Navigation Devices :	-----
Color:	black
Swivel Hinge:	-----
VGA out:	No
TV Out:	-----
TV Tuner:	-----
Security:	IP65
Waterproof:	IP65
Sand and dust:	IP65
Size:	170 × 75 × 41mm- 272g
Fanless casing:	Yes

Product from the Archive - production finished



MobiPad Z356CK has a specially designed, reinforced structure, adapted to harsh environmental conditions. Similarly, as the equipment produced for the military, meets the requirements of IP65 norm. Thanks to its structure is resistant to dust and water. The device is proper for use in the home and industry.



Processor(CPU)	Qualcomm 8909 Cortex-A7 Quad-Core 1.5GHZ
Display	4" (800*480) IPS HD Color Touch Screen
RAM	1GB
ROM	8GB
Connectors	microUSB Micro SD (max. 32GB) SIM
GPS	Built-in GPS Support A-GPS (optional)
Audio	Speaker Microphone
Camera(optional)	5Mpx 8Mpx (optional)
Battery	7.4V 3000mAh Li-Ion (Duration 7-8h)
Keyboard	Vitual qwerty keyboard and actual figure button
Environment	Android 5.1 Lollipop
Modules	3G WiFi Bluetooth GPS NFC Printer
Dimensions	209mm*83mm*49mm 508g
Resistance	IP65
Readers	1D (Mindeo)
	2D (Newland EM3096) (Optional)

Select a version for each other

Select a version tailored to your needs. Clicking on the hardware number configurations will redirect you to the product with parameters listed below. At the customer's request can be created configurations which are not available in the offer. Detailed parameters are available in the **"Technical Data"**.

	v.1	v.2	v.3	v.4	v.5
Drukarka / Printer	+	+	+	+	+
1D Mindeo	—	+	—	+	—
2D Newland EM-3096	—	—	+	—	+
5 Mpx	—	+	+	—	—
8 Mpx	—	—	—	+	+

[go top...](#)



Warehouse inventory



Fruit store



Retailers super

Data collector MobiPad Z3506CK can be used for projects like: supermarket cashless payment, inventory management and logistics tracking. Device will be also good option to business data management and other services.

Operating temperature: -15 ° C ~ 60 ° C

Operating Humidity: 0% ~ 90%



Clothing shop



Warehouse management



Library

[go top...](#)

Barcode Scanner

Barcode Reader allows you to read, decode and transfer stored data in barcode to your computer. Thanks to dynamic scanning method and the large range of reading, data collector is capable to carefully collecting data, which helps to increase the rate and efficiency of work. Simplified installation procedure, convenient and intuitive design allow to start scanner work very easy and quickly.



Near Field Communication (NFC)

Its a set of ideas and technology that enables smartphones and other devices to establish radio communication with each other by touching the devices together or bringing them into proximity to a distance of typically 10 cm or less. NFC devices are used in contactless payment systems, similar to those used in credit cards and electronic ticket smartcards and allow mobile payment to replace/supplement these systems. NFC is used for social networking, for sharing contacts, photos, videos or files.

	RFID (HF) NFC
Frequency	13.56 MHz
Reading distance	od 1 do 5 cm
Supported card standard	Mifare Write/Read
Supported standards	ISO 14443 A/B
	ISO 15693

[go top...](#)

Applicable standards

Operating	-15°C -- +60°C
Storage	-20°C -- +70°C
Humidity	0% - 90% RH non-condensing
Dust	IP6x (dust)
Water	IPx5 (water)
Drop	1.2m



IP65 Resistance

IP stands for Ingress Protection and is essentially a rating system developed by the International Electrotechnical Commission or IEC. This system is now being used to classify different degrees of protection against intrusion or immersion. The IP rating is usually followed by two digits. The first indicates the level of dust-resistance, the second water resistance. Dust-resistance levels goes from 0 up to 6 and water resistance goes from 0 to 8.

No special protection

0



0

No waterproofing

New Portable Devices | NIP: 872-120-56-82 | Mobile.: +48 508 235 505 | e-mail: sklep@mobilator.pl

Account number: ALIOR BANK SA 68 2490 0005 0000 4500 2328 8078

Protection from solid objects greater than 50mm in diameter

1



1

Protection from dripping water

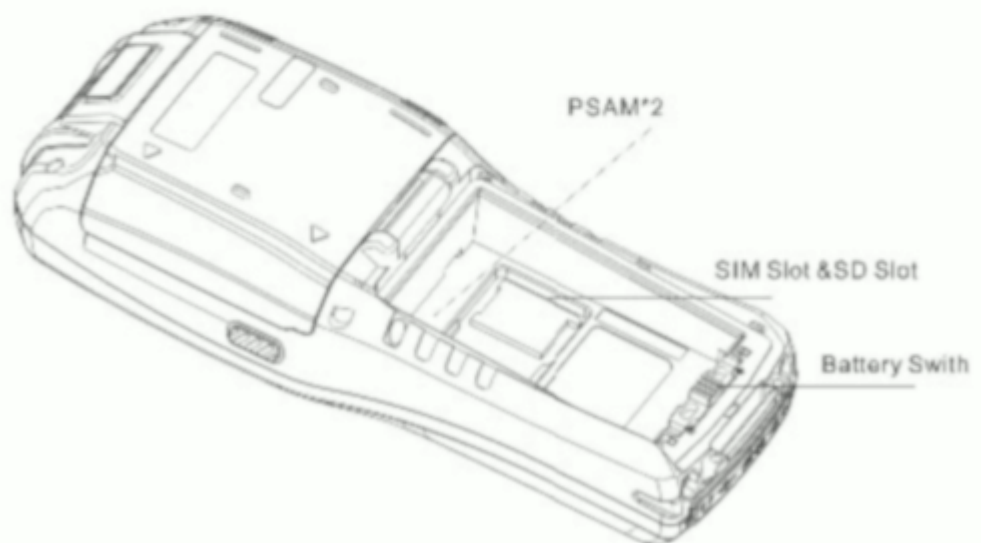


When device is equipped with the **WCDMA** module, you need only insert a SIM card in the special slot and you are able instantly connect to the internet. Integrated software allows you to automatically detect and configure connections to mobile networks. Internal **4G** module allows you to use mobile data. Mobilator Z3506CK NFC devices are used in contactless payment systems, similar to those used in credit cards and electronic tickets, and allow mobile payment to replace/supplement these systems. NFC is used for social networking, for sharing contacts, photos, videos, etc.

WiFi	802.11 b/g
GPS	Yes
Bluetooth	Bluetooth v 4.0
WWLAN(4G/3G/2G)	LTE-FDD B1 B3 B8
	LTE-TDD B38 B39 B40 B41
	WCDMA Band1 Band8
	TD-SCDMA Band34 Band39
	CDMA BC0
	DCS1800 EGSM900



Style



dimensions

209 × 83 × 49mm

Weight

508g



[go top...](#)

[more photos in the "Photo Gallery" ...](#)

[specification](#) of this version is available in the "Technical data" ...