



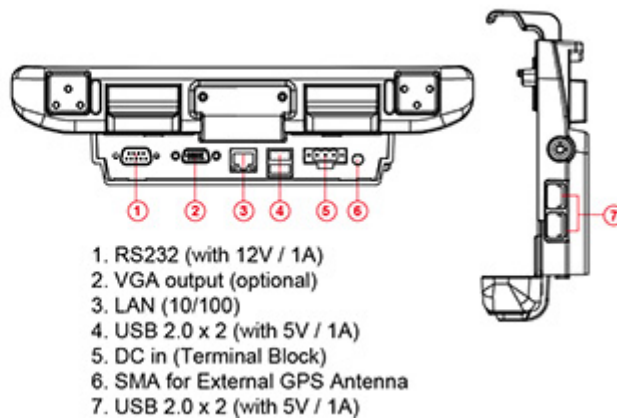
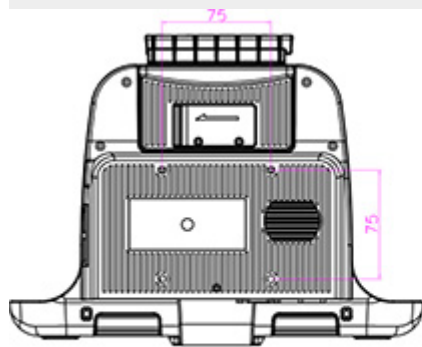
Winmate M101B - Vehicle Dock

Category:	Accessories - mobile
Manufacturer:	Winmate

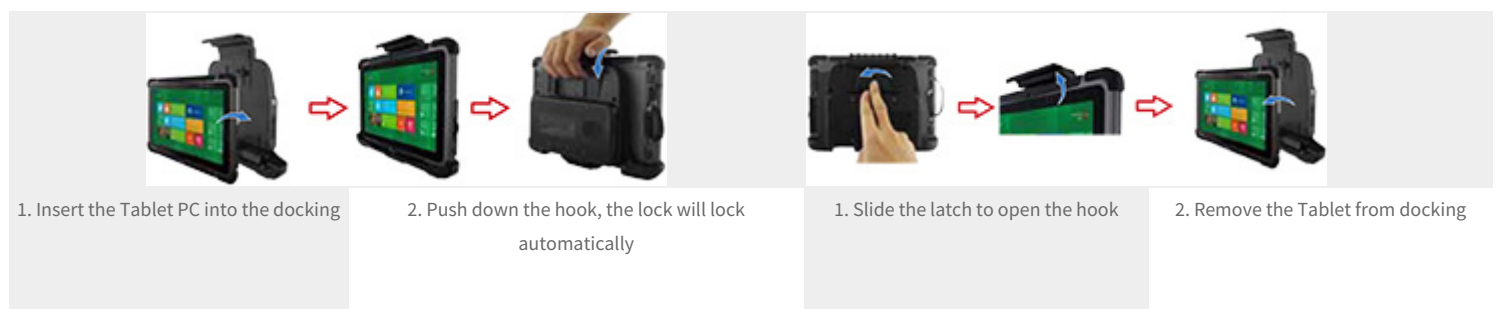
Product from the Archive - production finished

Description

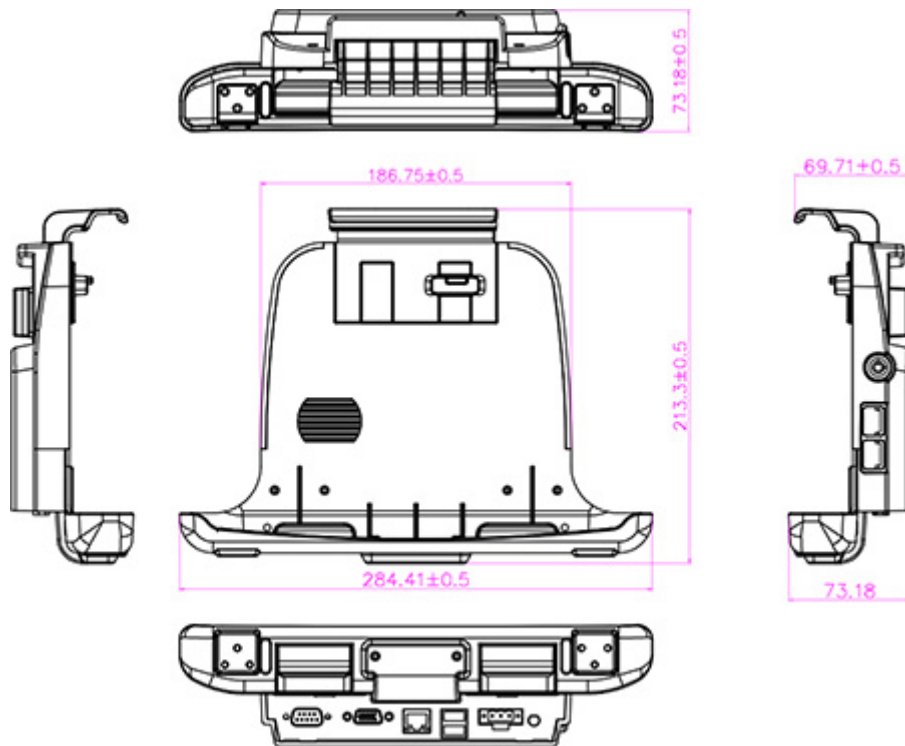
- Hold the tablet stably on moving vehicle
- Anti-theft design with key lockable cradle
- Wide power voltage input (9~36V DC-in)
- IP52 design (Rain proof)
- VESA standard for various standard fixtures
- SMA connector for external GPS antenna
- Optional VGA output



Use



Technical parameters



Dimensions	284.41 x 213.3 x 73.18 mm
Connectors	COM, 4x USB, LAN, DC-in
Bottom	1x - SMA (for external GPS antenna) 3-Pin Terminal Block (DC IN)
Side	2x - USB 2.0
Power input	9~36V DC In
Mounting	75 x 75mm VESA
Vibration	MIL STD. 810G, 5 ~ 500Hz, 2.24G